



**Installation Instructions:
DR3**

**DODGE RAM 1500
5'7" BED LENGTH
2009-CURRENT**

TOOLS REQUIRED

**Adjustable wrench (that opens to about 1"), 1/2" open end wrench, Phillips screwdriver,
3/8" socket, 7/16" deep socket, 7/32" Allen wrench**

▼ READ BEFORE YOU INSTALL DECKED ▼

DON'T use power tools to assemble or install the DECKED system. Impact wrenches and other power tools can over tighten and damage components (aside from drilling drain holes in ammo cans).

DON'T over tighten J-hooks during installation. J-hooks need to be snug to keep system from moving around, but should NOT be cranked down.

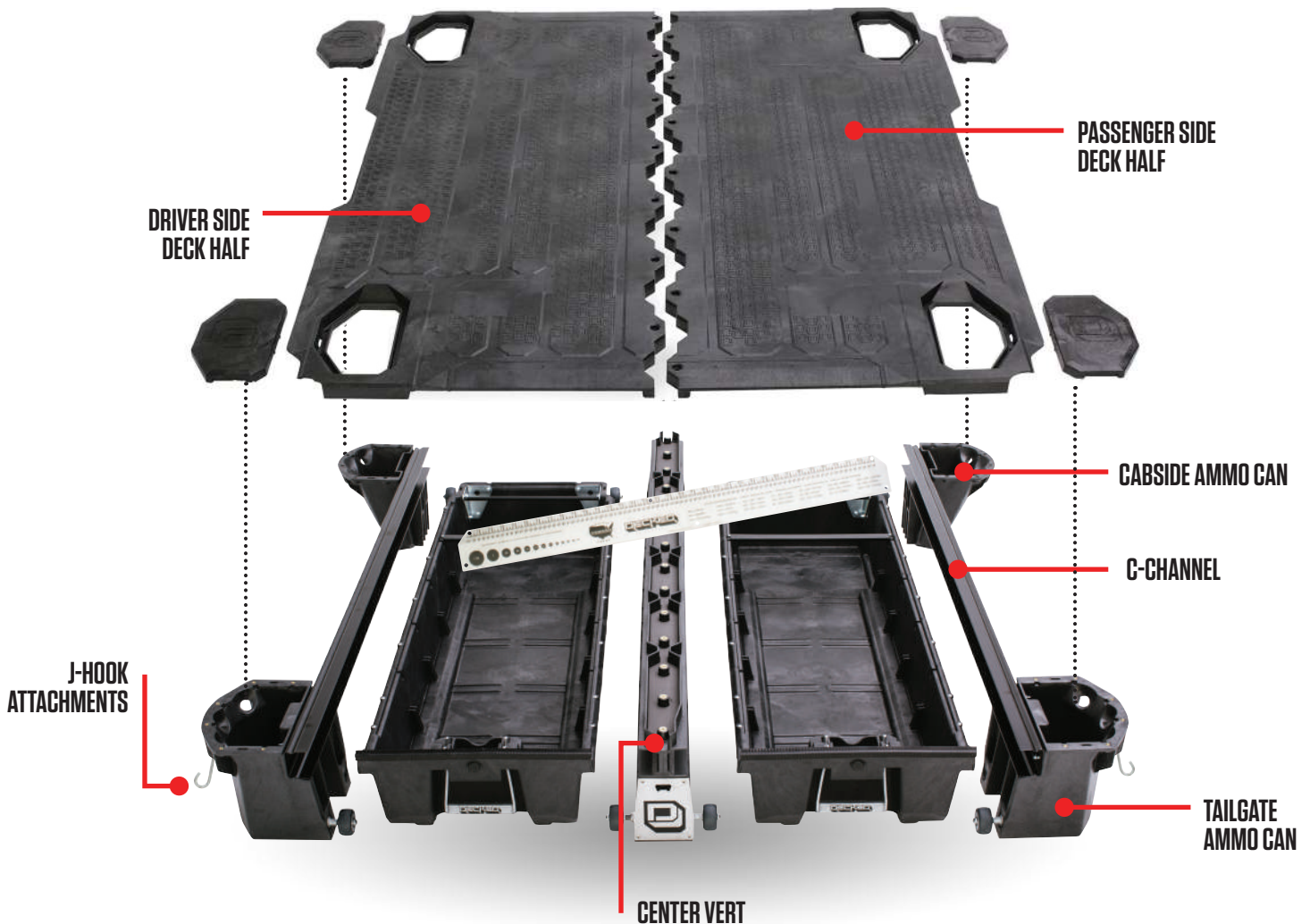
DON'T over torque any bolts, particularly the bolts attaching the center vert to the deck halves.

TAILGATE ammo cans have flat bottoms; **CABSIDE** ammo cans are narrow at the bottom.

NOTE: You will need a buddy with exactly two steps.

Need Help? Watch our detailed installation video or give us a call. We're happy to help!

▼ ASSEMBLY OVERVIEW ▼



AMMO CAN DRAIN HOLES: TO DRILL OR NOT TO DRILL

- **Do you use a Tonneau or shell over your DECKED system?**

There is no need to drill holes.

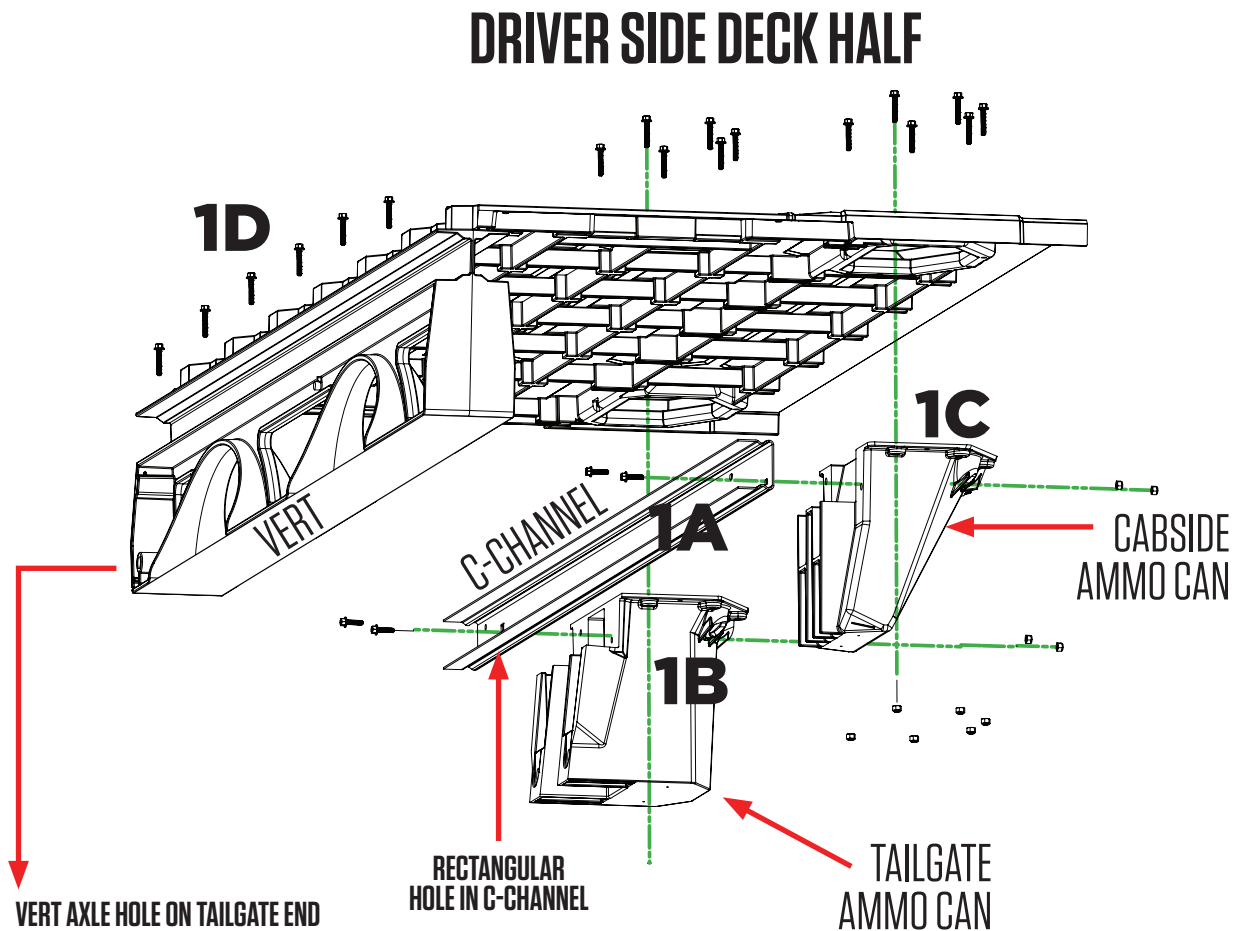
- **Does your DECKED system live outside in the elements?**

The ammo cans will likely get water in them. You'll need to drill holes in the ammo cans. There are two dimples in the bottom of each ammo can. Drill a 3/8" hole at each dimple.



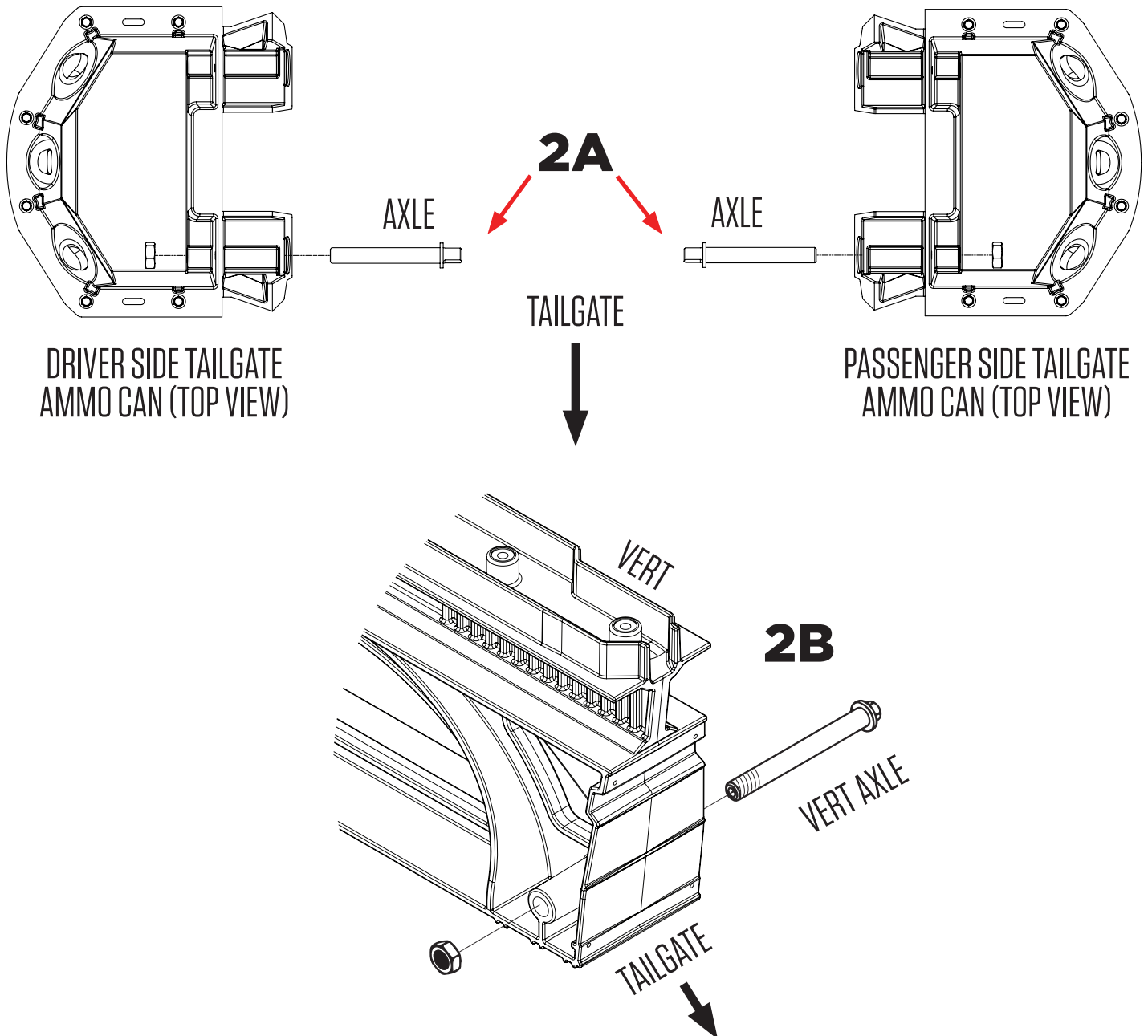
STEP 1: DRIVER SIDE DECK ASSEMBLY

- Loosely bolt C-channel to the ledges on the **inside** of the two ammo cans. Make sure bolt head is on the C-channel side, not inside ammo can; **bag 1A**. **NOTE: The small rectangular slot in the C-channel indicates the tailgate end.**
- Line up the deck (sticker indicates driver side deck half) on top of the C-channel/ammo can assembly and the vert bosses. **NOTE: Tailgate side of vert has an axle hole at the bottom (see below).**
- Bolt deck to C-channel/ammo can assembly; **bag 1B** for driver side tailgate ammo can, **bag 1C** for driver side cabside ammo can.
- Go back and tighten loose bolts connecting ammo cans to C-channel.
- Bolt the deck to the vert; **bag 1D**. **Do not use power tools.**
- Grab your buddy to help you lift assembly onto driver side of truck bed.



STEP 2: INSTALL AXLES

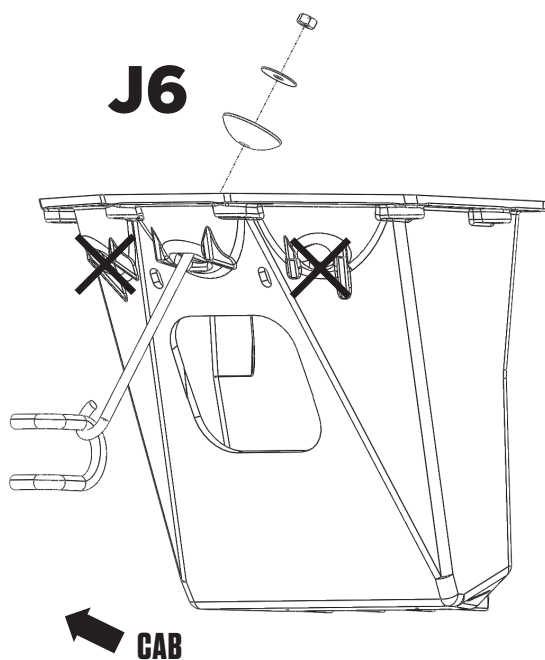
- 1). Install the driver side tailgate ammo can axle; **bag 2A**.
 - Rotate the axle from its inbound side using a wrench on the “flat” end. Nut is included in bag and can be held with adjustable wrench while tightening. **NOTE: Axles should be tight enough that the axle end is difficult to spin with a 1/2” wrench.**
- 2). Repeat on passenger side tailgate ammo can; **bag 2A**.
- 3). Install vert axle; **bag 2B**.



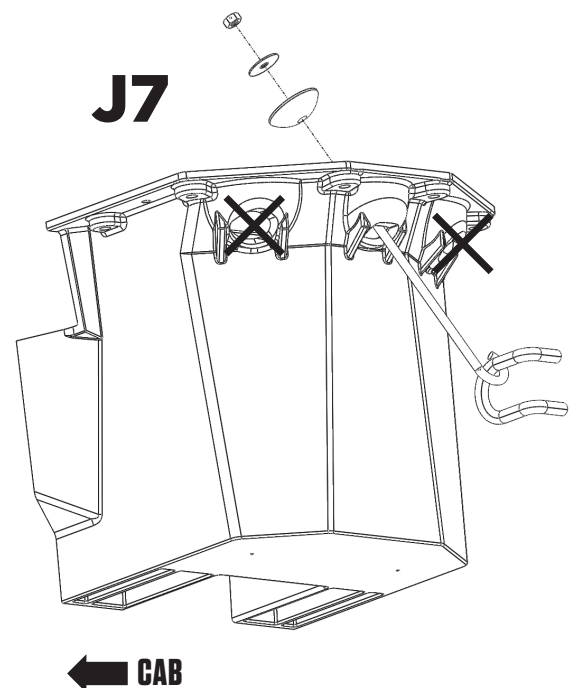
STEP 3: INSTALL DRIVER SIDE DECK HALF

- Insert the J-hook through the **center** hole on the driver side cabside ammo can and loosely affix it to tie-down bracket with spherical washer, flat washer and nut; **bag J6**.
- Insert the J-hook through the **center** hole on the driver side tailgate ammo can and loosely affix it to the tie-down bracket with spherical washer, flat washer and nut; **bag J7**.

IMPORTANT: Leave all J-hook screws loose until entire deck is in place.



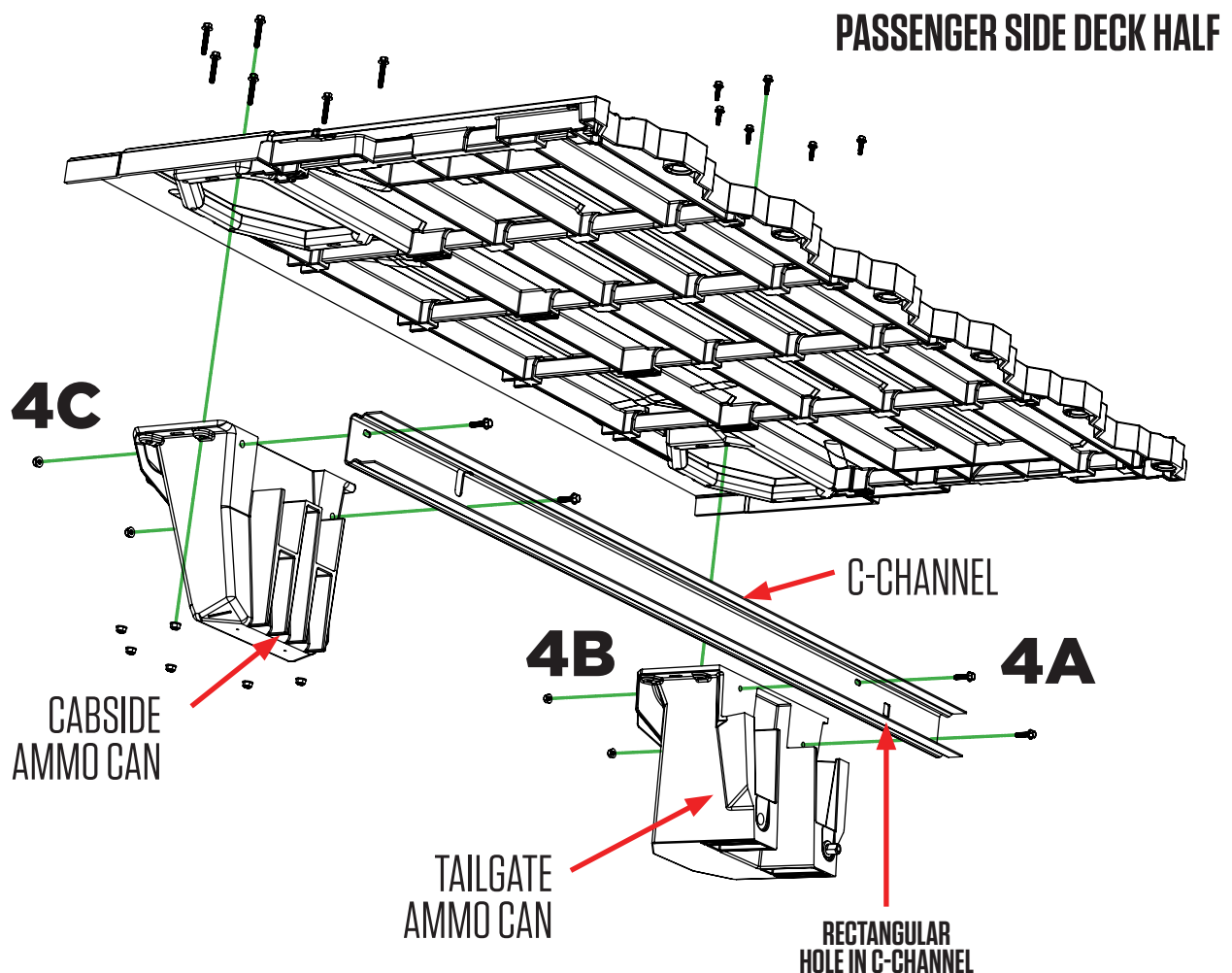
DRIVER SIDE
CABSIDE AMMO CAN



DRIVER SIDE
TAILGATE AMMO CAN

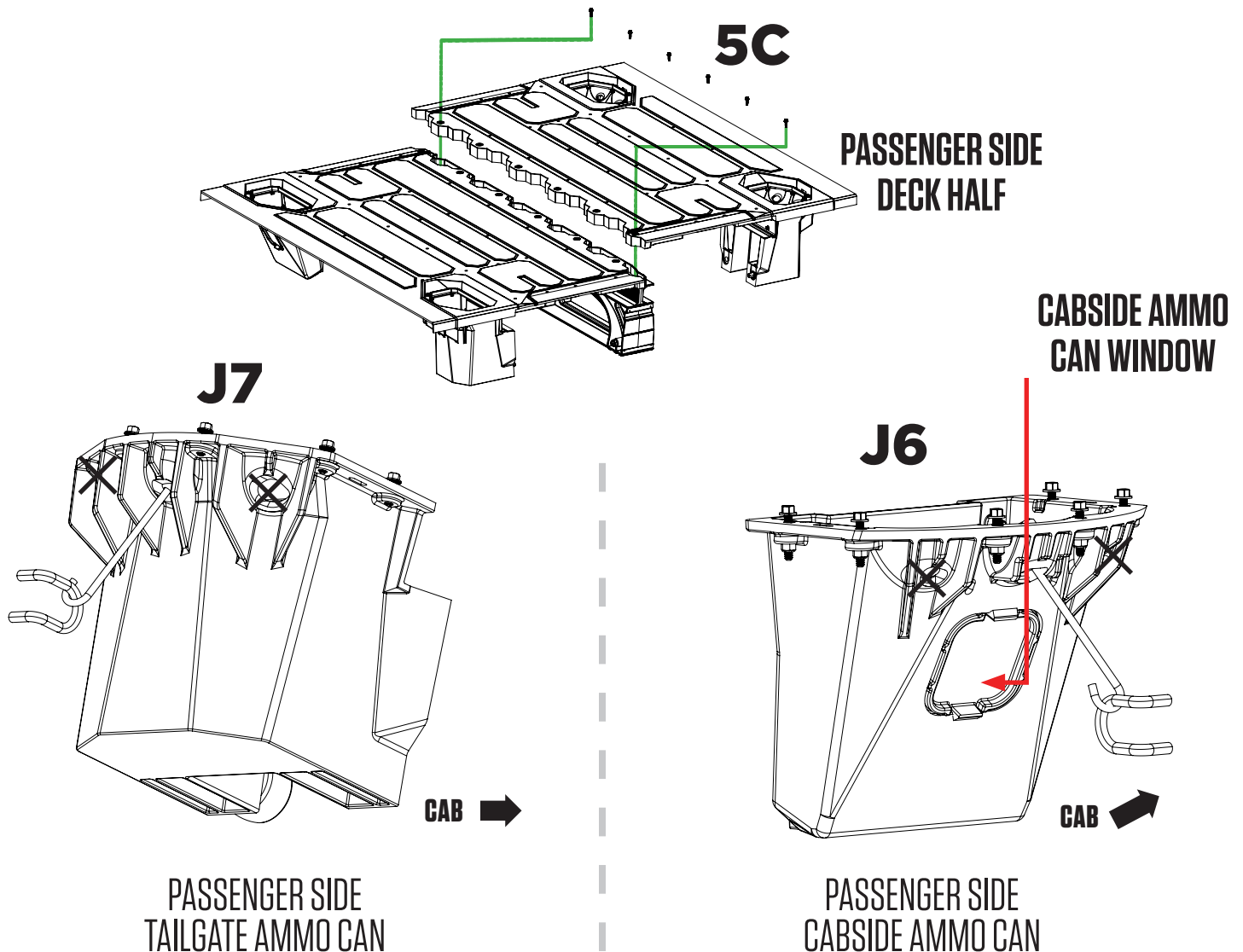
STEP 4: PASSENGER SIDE DECK ASSEMBLY

- Loosely bolt C-channel to the ledges on the **inside** of the two ammo cans. Make sure bolt head is on the C-channel side, not inside ammo can; **bag 4A**. **NOTE: The small rectangular slot in the C-channel indicates the tailgate end.**
- Line up the deck (sticker indicates passenger deck half) on top of the C-channel/ammo can assembly and the vert bosses. **NOTE: Tailgate side of vert has an axle hole at the bottom.**
- Bolt deck to C-channel/ammo can assembly; **bag 4B** for driver side tailgate ammo can, **bag 4C** for driver side cabside ammo can.
- Tighten bolts connecting ammo cans to C-channel.
- Grab your buddy to help you lift assembly onto passenger side of truck bed.



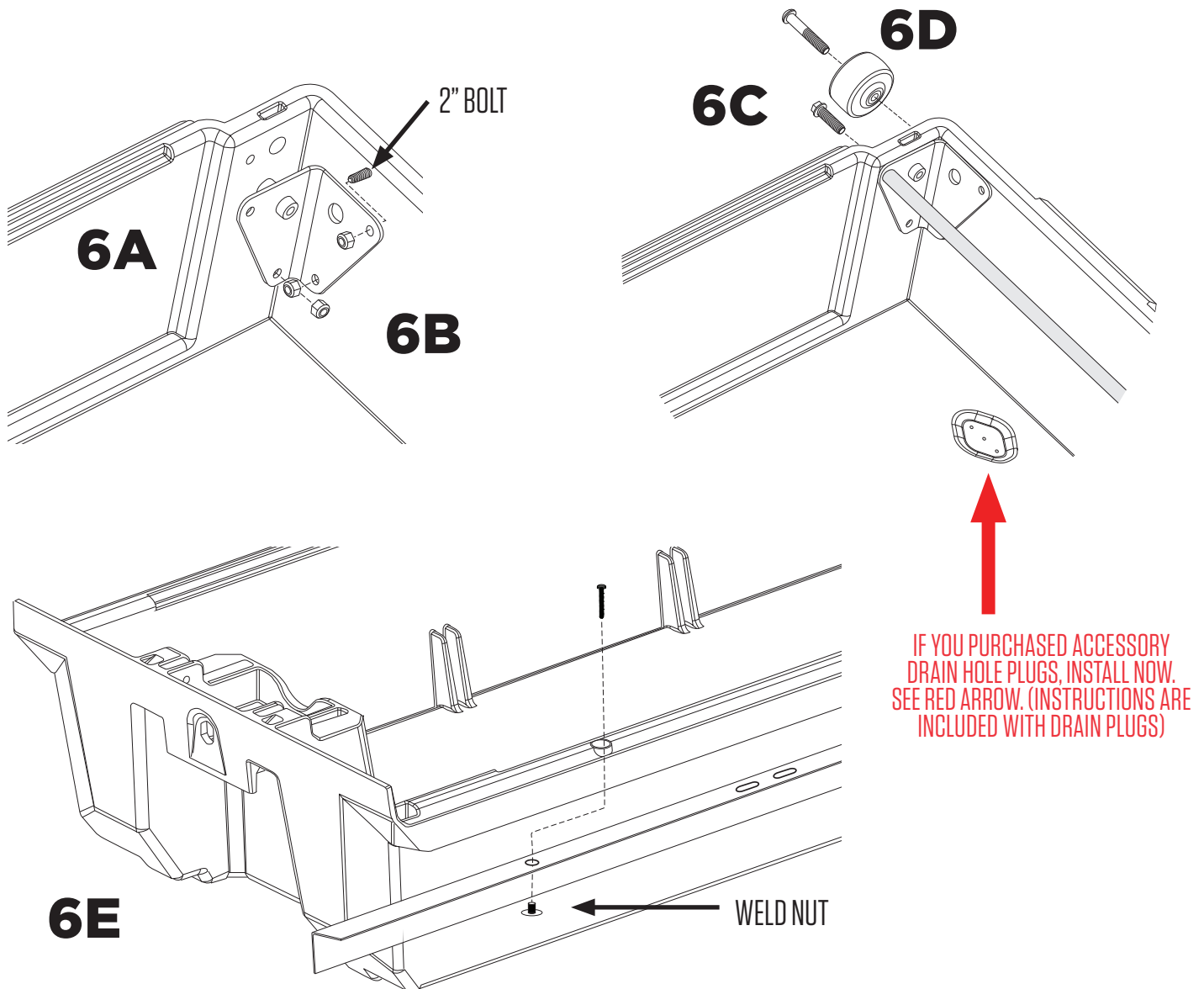
STEP 5: INSTALL PASSENGER SIDE DECK HALF

- Insert the J-hook through the center hole on the passenger side tailgate ammo can and loosely affix it to the bracket with spherical washer, flat washer and nut; **bag J7**.
- Insert the J-hook through the center hole on the passenger side cabside ammo can and loosely affix it to tie-down bracket with spherical washer, flat washer and nut; **bag J6**.
- Bolt passenger side deck half to the vert; **bag 5C** (just like step 1D). Make sure all bolts connecting deck to vert are snug, **but no power tools**.
- **MAKE SURE THE VERT IS IN THE CENTER OF YOUR BED; the gaps on either sidewall may not be equal.**
- Alternately and gradually tighten all J-hooks to ensure deck is centered and secure. **Do not tighten one side of J-hooks all the way in one step.**
- Install window covers in cabside ammo cans (from inside the ammo can).



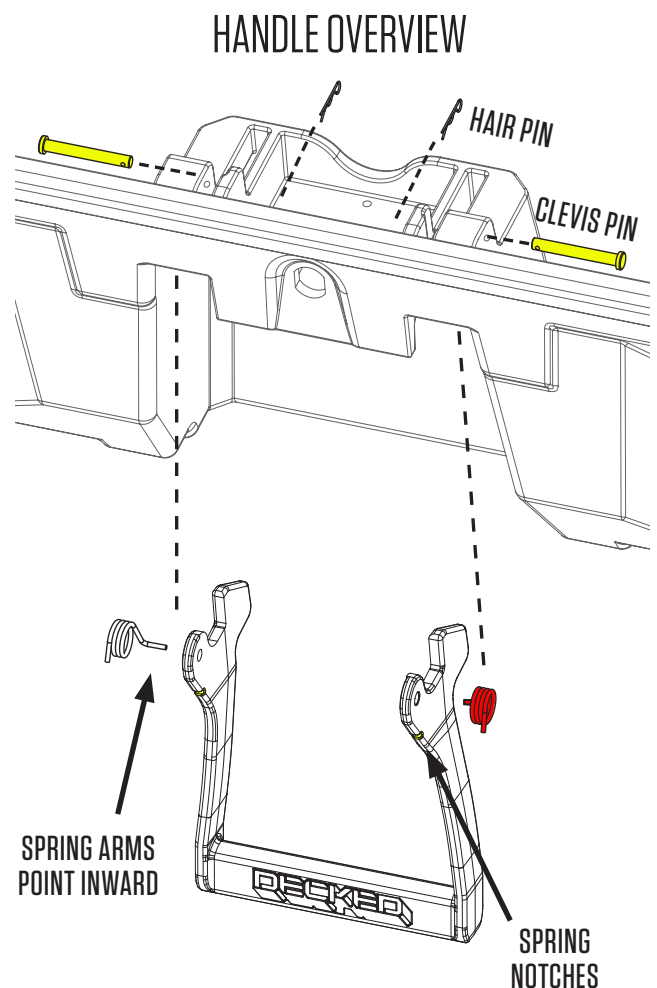
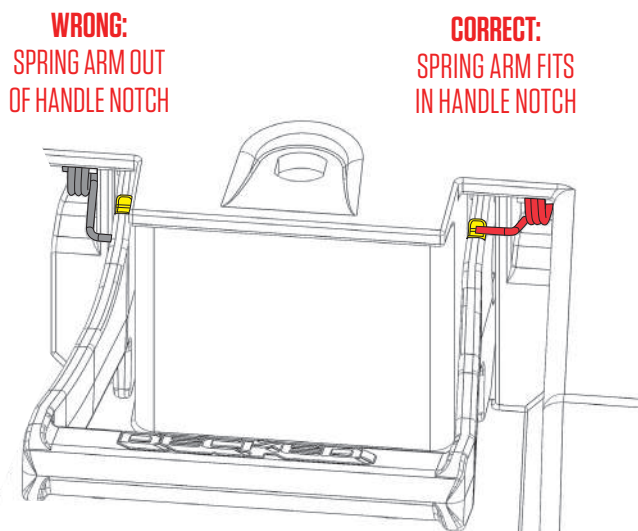
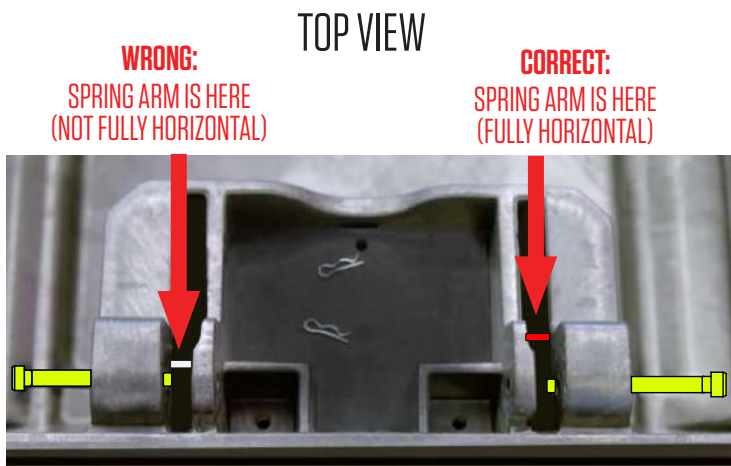
STEP 6: INSTALL DRAWER WHEELS

- There is a left and a right corner bracket for each drawer—bolt brackets in place. (use the 2" bolts for the upper back wall bracket hole); **bags 6A and 6B.**
- Use tube brace with two bolts to connect the two corner brackets; **bag 6C.**
- Insert axle through wheel and affix to drawer bracket; **bag 6D.** Do this for each wheel (4 times).
- Turn drawer upside down and align the holes in the L-braces (loose in system box) with the drawer holes. **NOTE: Start L-brace with hole closest to handle.**
- Simply use your thumb to push the weld nuts into each hole. Once weld nuts are in place, turn the drawer upright and insert the screws (snug but not too tight); **bag 6E.**
- Repeat for all drawer sides.

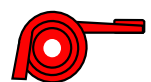


STEP 7: INSTALL DRAWER HANDLES

- From the **underside** of drawer, place the springs between the holes, red spring=right spring; **bag 7A**.
NOTE: each spring arm should point inward, not outward.
- Install clevis pin through each drawer hole and through spring; **bag 7B**.
- With DECKED logo facing outward, insert the handle ends behind the spring arms. Rotate the top of the handle toward the clevis pins, pulling the spring arm downward. When the handle hole is lined up with the clevis pin, push the pin through the handle hole and through the drawer hole. Repeat on the other side of the handle.
- Install hair pin through the clevis pin; **bag 7B**.
- Repeat process for the other drawer; **bag 7C & 7D**.



HELPFUL TIP: MAKE SURE SPRINGS HAVE THE LONG ARM HORIZONTAL AND SHORT LEG VERTICAL BEFORE INSERTING HANDLE



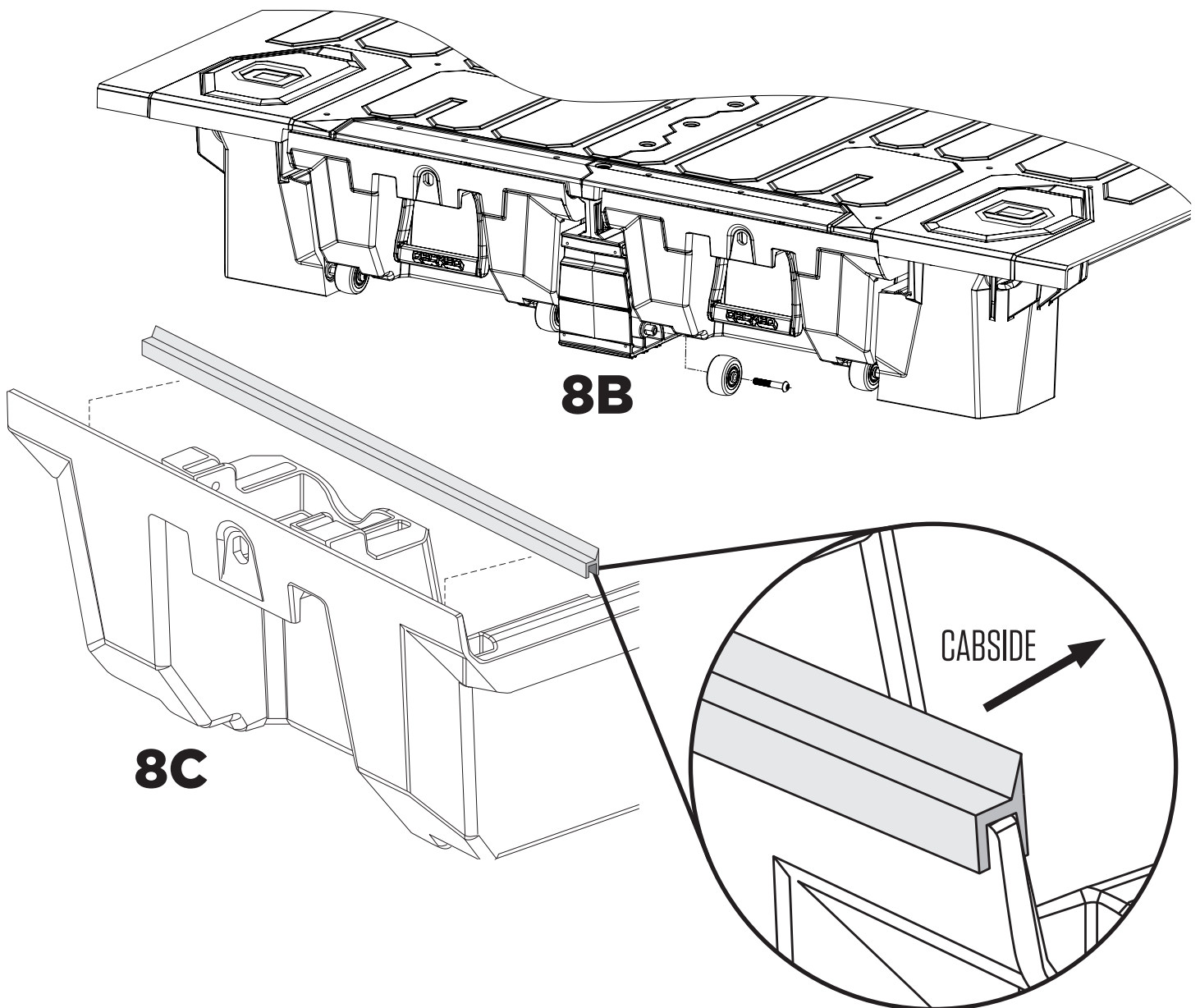
STEP 8: INSTALL DRAWERS

- Install optional drawer braces (instructions included in bag); **bag 8A.**
- Install drawer by sliding wheels into their two channels (C-channel and vert).
- Install remaining tailgate side wheels onto their axles; **bag 8B.**

NOTE: Placing a spacer under the drawer to raise it into position makes this easier (ammo can lids work well).

- Place weather stripping on top of the tailgate side drawer edge *with the wiper facing CABSIDE*; **bag 8C.**

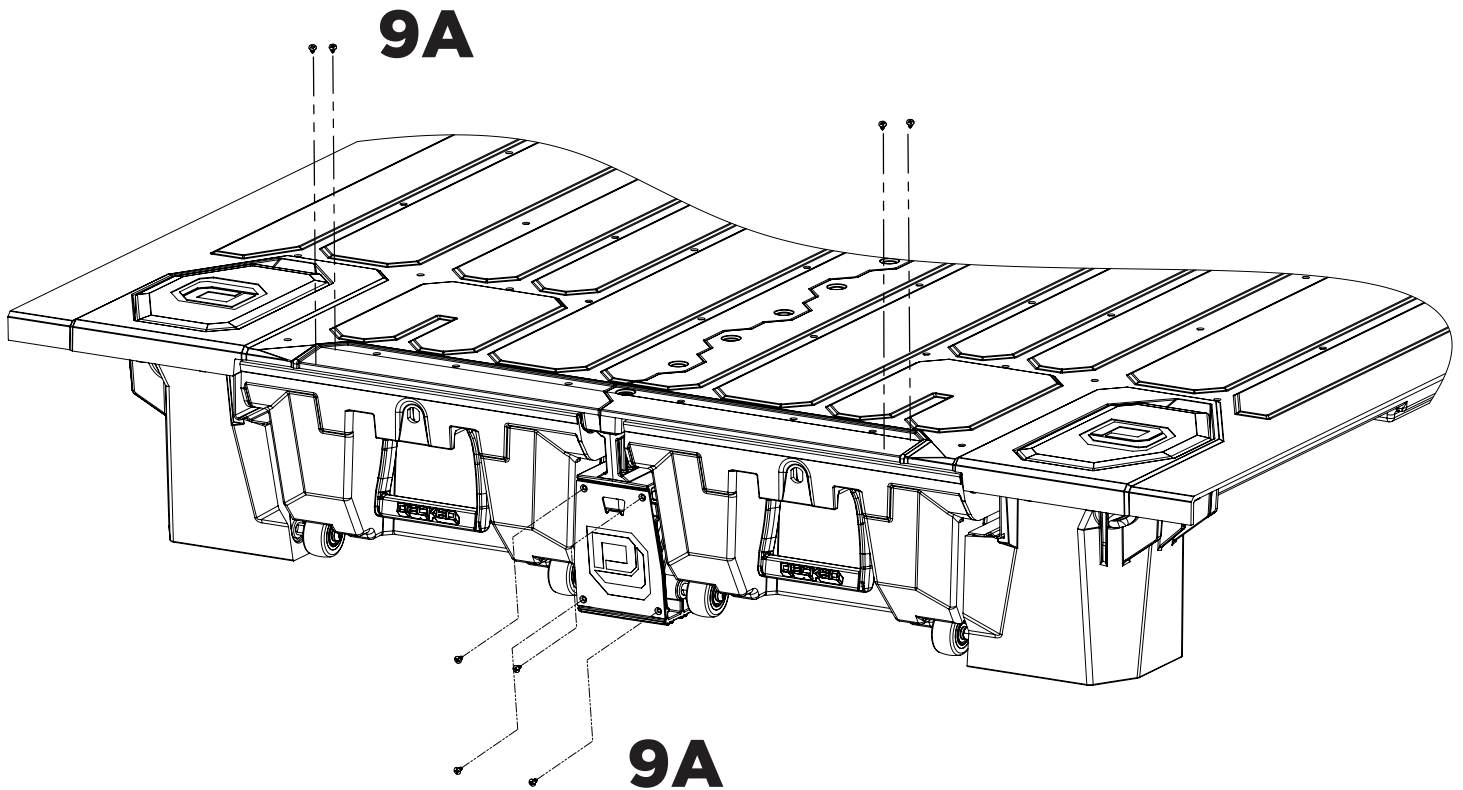
NOTE: Facing the weather stripping the wrong way will funnel water into drawer: **BAD!**



STEP 9: THE FUN STUFF

CAUTION: These are small gauge screws—light, hand-tightening is all that is required.

- Center and screw on the ruler/edge guard; **bag 9A**.
- Screw on the bottle opener; **bag 9A**.
- Using your favorite beverage, test the bottle opener, and think about how jealous your friends are going to be.



Check out the collection of truck bed accessories we offer.