



dB Performance Exhaust System Installation
Cat-Back Exhaust System
Single Side Exit w/ 4" Slash Cut Tip
2003-06 Chevy Silverado SS 6.0L (SB) Part # 24279
2002-06 GMC Sierra Denali 6.0L (excl. CC) Part # 24224

Please take time to read and understand these installation instructions.

We recommend that the installation of this system be performed by a qualified service center or professional muffler installer who has the necessary equipment, tools and experienced personnel. However, if you decide to perform this install, the use of a hoist and an additional person will be required.

CAUTION: Never work on a hot exhaust system. Allow time for the vehicle to cool. Always wear eye protection when working under a vehicle.

Please confirm that all parts are present before beginning the factory exhaust system removal and dB Performance Exhaust system installation.

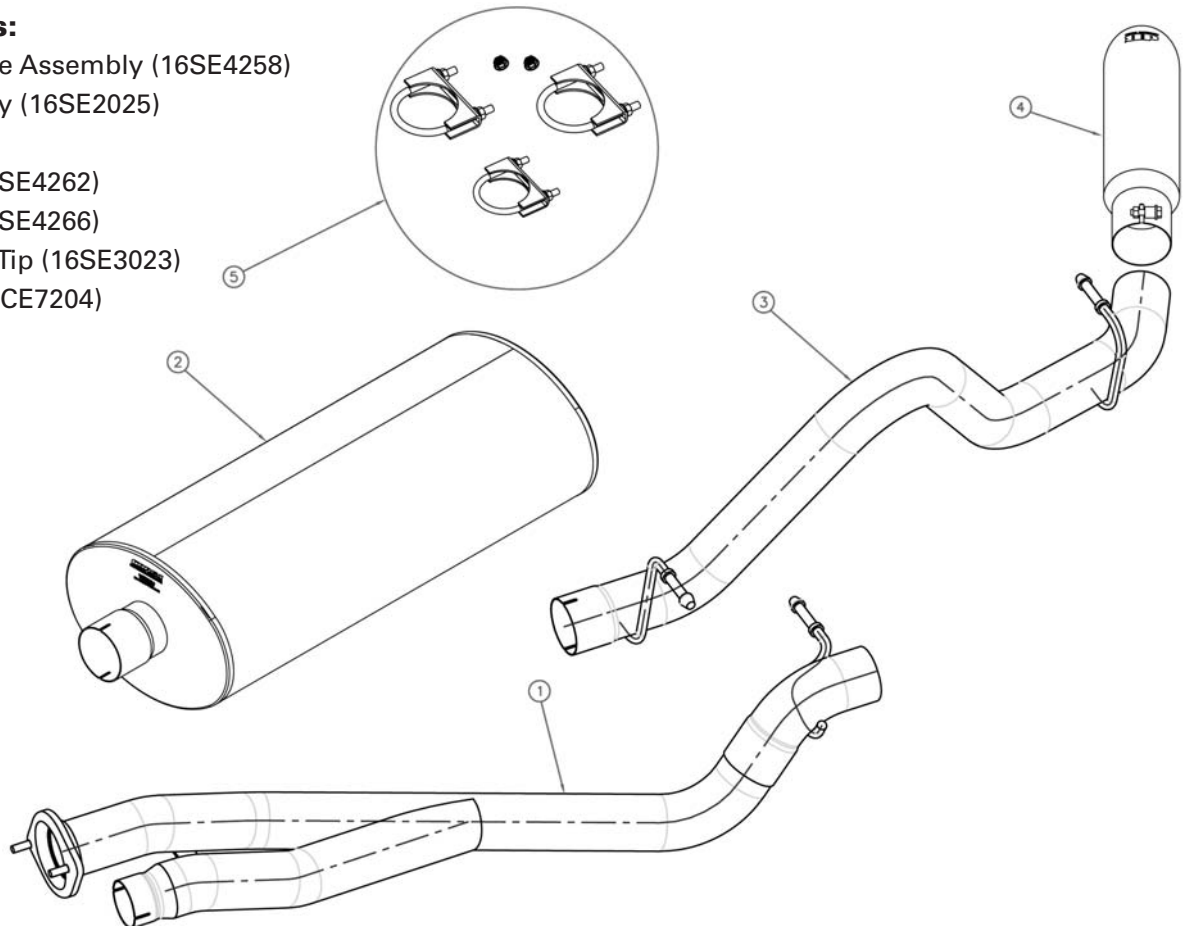
Recommended Tools:

- Safety Glasses
- 15mm Wrench or Deep Socket
- Torque Wrench
- Soap & Water Solution

Part #24279 / #24224

Bill of Materials:

- 1- Intermediate Pipe Assembly (16SE4258)
- 2- Muffler Assembly (16SE2025)
- 3- Tailpipe
 - Part # 24279- (16SE4262)
 - Part # 24224- (16SE4266)
- 4- dB Performance Tip (16SE3023)
- 5- Hardware Kit (15CE7204)



Stock Exhaust Removal Instructions

NOTE: The use of a soapy water solution may aid in the removal and later installation of the hangers in the rubber grommets.

- 1) Unbolt intermediate-to-header pipe flange using 15mm socket **(See Fig. A)** and remove both bolts. Now remove clamp from other pipe. Be sure to support muffler to prevent injury. Use soap and water solution to loosen bolts if necessary, and keep bolts as they will be needed for the final installation.
- 2) Next, remove hanger from rubber grommet located just in front of the muffler (near muffler inlet) **(See Fig. B)**. It may be easier to remove rubber grommet from frame hanger, first. Be sure to keep the rubber grommet.
- 3) Remove Muffler Extension Pipe and Tailpipe hangers from rubber grommets **(See Fig. C & D)**. Be sure to keep the rubber grommets. Now muffler can be removed **(See Fig. E)**.



FIG. A



FIG. B



FIG. C

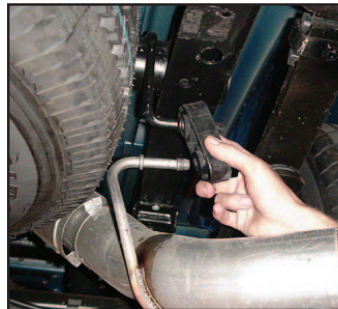


FIG. D



FIG. E

Continue to page 3 for the Installation Process >

Installation of dB Performance Exhaust System:

NOTE: The supplied double edge clamps in this system will crush and permanently deform the exhaust piping as they are tightened. **DO NOT** tighten these clamps any more than is necessary to lightly hold the exhaust components in place, until the very end of this installation process. It will be difficult or impossible to make any positional or rotational adjustments to the exhaust system after these clamps have been tightened down.

VERY IMPORTANT: Align all clamps so that the open edge of the clamp bracket is parallel and aligned with the notch in the pipe, and the outside edge of the clamp bracket is approximately 1/8" from the end of the pipe expansion. (See Fig. 1) Failure to properly position or orient the clamps could result in a weak clamping load, or even a potential leak at the clamp joints.

IMPORTANT: Make sure that the small drain holes in the muffler are facing down when the muffler is installed. (See Fig. 2)

1) Locate Intermediate "Y" Pipe (Dual into one pipe) and position Intermediate Pipe as shown in **Fig. F**. Slide a clamp over the expanded or "slotted" end (See **Fig. G**) and snug-fit flange bolts and clamp (See **Fig. H**). Be sure to insert Intermediate Pipe hanger into rubber grommet.

2) Next, slide Intermediate Pipe into muffler and slide a clamp over muffler inlet (expanded or "slotted" side). Snug-fit the clamp (See **Fig. I**). Do not tighten clamp at this time.

3) Locate the Tail Pipe (See **Fig. J**) and position the pipe over the axle housing (See **Fig. K**). Next, slide a clamp over the Tail Pipe inlet (See **Fig. L**). Now snug-fit the clamp but do not tighten clamp at this time.

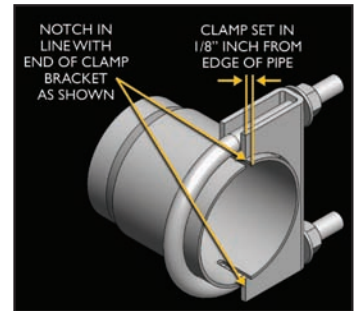


FIG. 1



FIG. 2



FIG. F



FIG. G



FIG. H



FIG. I



FIG. J



FIG. K



FIG. L

- 4) Insert Muffler Extension Pipe hanger into rubber grommet near muffler **(See Fig. M)** and at the rear of the vehicle **(See Fig. N)**.
- 5) Locate the dB Performance tip, which has a clamp built into it. Slide the clamp end of the tip onto the end of the tailpipe. **(See Fig. O)** Rotate the tip until the dB Performance logo is centered on the top side of the tip. **(See Fig. P)** Snugly tighten the clamp as shown using a 15mm socket and ratchet, making sure to only tighten the clamp enough to hold the tip in place on the tailpipe. **(See Fig. Q)**
- 6) Visually inspect the exhaust system position, tip alignment, clamp orientation and position, and exhaust pipe clearance. Make any necessary adjustments at the slip joints.

NOTE: It may be easier to insert hanger into rubber grommet before sliding pipe over Muffler outlet.

- 7) Starting with the Intermediate-to-Header, tighten flange bolts, then all clamps. **U-bolt torque setting = 35 ft.-lbs. Tip clamp torque setting = 45 ft.-lbs.**

IMPORTANT NOTE: When tightening flange bolts, alternately tighten each bolt so the spacing is even all the way around the flange connection. Uneven tightening may result in an exhaust leak.

- 8) It is **STRONGLY SUGGESTED** that all clamps be checked and re-tightened (if necessary) to the recommended torque after initial road testing of the vehicle, as thermal cycling has occurred on the system. Please wait until system has fully cooled to conduct this process.



FIG. M



FIG. N



FIG. O



FIG. P



FIG. Q