



**CAUTION: CAREFULLY READ INSTRUCTIONS BEFORE PROCEEDING**

## OVERVIEW

The WEGO IV is a complete air/fuel ratio (AFR) metering system with built-in data logging. The system is a versatile tuning aid and diagnostic tool for all carbureted and fuel injected gasoline powered engines. The WEGO IV unit displays AFR and can log over 2 hours data including AFR, engine RPM, and a spare 0-5V analog input for sensors such as throttle position or manifold pressure. The ultra-bright daylight readable blue LED display features automatic dimming under low light conditions. The compact size and wide supply voltage range also allow operation from small rechargeable batteries in a broad range of applications.

The system uses a low cost Bosch LSU 4.2 5-wire wide-band oxygen sensor. By utilizing miniature surface mount electronics technology, digital signal processing techniques, and a switching power supply for the sensor heater, the WEGO IV provides the same level of accuracy as lab systems costing thousands of dollars.

WEGO IV units also have a 0-5 volt analog AFR output that is compatible with most data acquisition systems.

## REPLACEMENT SENSORS AND ACCESSORIES

The WEGO IV uses a standard Bosch LSU 4.2 sensor used on a VW production application (Bosch P/N 0 258 007 057/058 or VW P/N 021 906 262B). The proprietary VW connector is replaced with a smaller Deutsch DT-04-6P. We offer replacement sensors with the Deutsch connector installed.

If you are testing multiple engines, we also offer additional 18 x 1.5 mm weld nuts for sensor mounting and 18 x 1.5mm hex socket plugs that screw into the weld nuts and allow removing sensors after tuning.

Some engines using CD (capacitive discharge) ignitions may require a special tach adapter for engine RPM data logging.

## INSTALLATION

1. Turn off the ignition switch before proceeding.
2. Select a convenient mounting location for the Bosch sensor. In general, the sensor should be mounted as close to the exhaust valve or exhaust manifold as practical. When choosing a mounting location, allow several inches clearance for the sensor wire harness. The wire harness must exit straight out from the sensor. Do not loop the harness back onto the sensor body. The sensor responds to oxygen pressure. Excessive backpressure will cause a reading error. For turbocharged applications, you must mount the sensor downstream of the turbo.
3. For temporary use during dyno tuning, you can mount the Bosch wide-band sensor in place of one of the original equipment rear oxygen sensors (after the catalytic converter). You can also use a sniffer in the tailpipe. For permanent mounting, an 18 x 1.5 mm weld nut must be welded onto the exhaust pipe. After welding, run an 18 x 1.5 mm tap through the threads. Failure to clean the threads may result in sensor damage. Note that most automotive muffler shops are familiar with oxygen sensor weld nut installation on custom pipes. Do not install the sensor until after the free air calibration procedure described in the following section. Always use an anti-seize lubricant such as Permatex 133A on the sensor threads.
4. Install the WEGO IV unit where the display will be visible during testing. The unit is not sealed and must be mounted in a dry location away from sources of heat. We recommend underdash mounting or use in a dyno lab environment. The unit is not intended for underhood mounting. The unit can be secured by means of hook and loop fastener tape strips. Use nylon tie wraps to secure the wire harness near the unit.
5. **Working with clamping terminal blocks.** All connections to the WEGO IV terminal block must be clearly identified either by means of distinct wire colors (such as shown in Figure 1) or wire labels. If you use different wire colors, mark up Figure 1 for future reference. All connections can be made with 18-20 AWG wire. Wire should be stripped back

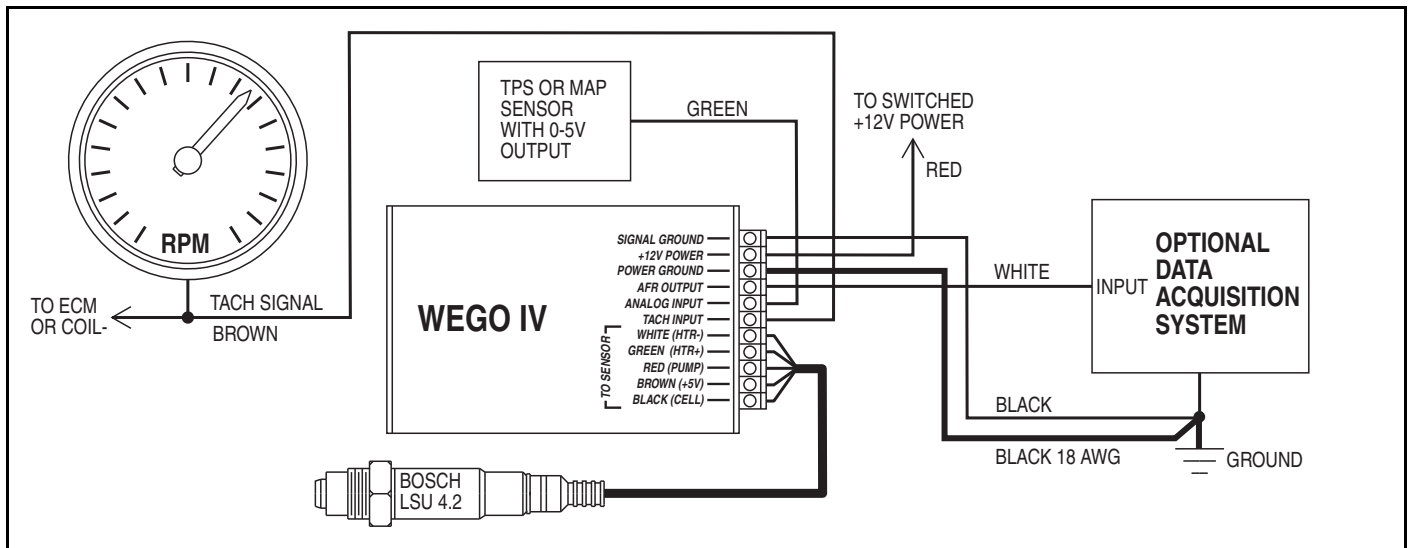
3/16-1/4 inch. No bare wire should be visible outside the terminal block. Use a miniature Phillips or flat screwdriver to tighten the screws.

6. Connect the Bosch sensor to the 6 pin mating connector on the supplied extension cable. You can shorten the extension cable if required. Longer 12 foot extension cables (P/N 115004) are also available.
7. Refer to Figure 1. Connect the WEGO IV ground wires to a good frame ground location. Use 18 AWG wire for the power ground connection. If you

are using a data acquisition system, connect the ground wires to the same point that the data acquisition system is grounded. Keep the ground connections as short as possible. Try to use an existing wire harness ground location. **Do not ground the WEGO IV to the battery minus terminal or to the engine.**

8. Connect the WEGO IV +12V power to switched +12 volt power. You can usually find switched +12V power at an accessory fuse on the fuse block. You can use the supplied fuse tap and 3/16" female crimp terminal for this purpose.

Figure 1 – Typical Vehicle Hookup for WEGO IV



9. Optional signal hookups, including engine RPM and analog signal data logging, are explained in sections 10-12.
10. For engine RPM data logging, connect the WEGO IV tach input to one of the following:
  - a. **Tach signal (preferred for best noise immunity).** The unit is compatible with industry standard 12 volt square wave tach signals such as what would be used to drive an Autometer or similar aftermarket tach. Most aftermarket CD (capacitive discharge) ignitions including the MSD-6 and Crane HI-6 series have a tach output that you can connect to the WEGO IV. 1999-2003 Harley-Davidson® motorcycles with carbureted Twin Cam 88® engines have a tach output on pin 12 of the black ignition module connector. Most 2001 and later Harley-Davidson® motorcycles with 36

pin Delphi® fuel injection ECM have a tach output on pin 3 of the ECM connector.

- b. **Coil- terminal.** The unit is compatible with the signal on the Coil- terminal of most inductive discharge type ignitions. This includes most OE (original equipment) automotive ignitions and all Harley-Davidson® ignitions. For automotive distributorless or Harley-Davidson® single fire systems with multiple coils or coil packs, you can use any one of the Coil-signals.
- c. **Motorcycle and small engine CD (capacitive discharge) ignitions.** Many Japanese motorcycles and small engines use CD ignitions. Any engines with flywheel triggered systems fall into this category. These applications will require a special tach adapter P/N 115005.

**Tips are provided for identifying the type of ignition system in use.**

The WEGO Single Channel Data Logging software is used to set the correct scaling for engine RPM in terms of pulses per revolution. The unit can easily be set up for operation with 1-12 cylinder engines. Refer to the software instructions for details.

**WARNING: Directly connecting the WEGO IV tach input to the coil of a CD type ignition will damage the unit and void the warranty.**

11. For analog signal data logging, connect the WEGO IV analog input to one of the following:
  - a. **Throttle position sensor.** Most engine controls use a TPS (throttle position sensor) with a 0-5 volt signal range. Refer to your service manual for details.
  - b. **Manifold pressure sensor.** Most engine controls use a MAP (manifold pressure sensor) with 0-5 volt signal range. Refer to your service manual for details.
  - c. **Other 0-5V analog signals.** The WEGO IV can log any 0-5V signal. For other sensors, use a scope meter to check the signal before connecting it to the WEGO IV.

The WEGO Single Channel Data Logging software is used to set the units and scaling for the analog input. Refer to the software instructions for details.

**WARNING: Connecting the WEGO IV analog input to a high voltage (in excess of 12 volts) will damage the unit and void the warranty.**

12. Optional AFR output. You can connect the WEGO IV AFR output to a 0-5V analog input on a data acquisition system.

## OPERATION

For more information about wide-band oxygen sensors including the Bosch LSU 4.2, we suggest that

you visit the Tech FAQ.

The WEGO IV display shows AFR and status data. The unit includes internal diagnostics for abnormal battery voltage (less than 11 volts or greater than 16.5 volts), sensor open circuit, sensor short circuit conditions, and excessive temperature. When power is turned on, the display will show "CL" (cold) until the attached sensor has reached normal operating temperature. The unit will then display an AFR value, "FA" (free air), "PC" (during PC communications), or diagnostic codes: "SO" (sensor open circuit), "SS" (sensor short circuit), "Lb" (low battery voltage), "Hb" (high battery voltage), or "OT" (over-temperature warning).

Figure 2 - WEGO IV Unit



After installation, the WEGO IV system requires free air calibration. This should be done with the sensor dangling in free air. The environment must be free of hydrocarbon vapors. We suggest that you perform the free air calibration outdoors. Turn the free air calibration trimpot on the WEGO IV full counterclockwise. Turn on power and wait for 60 seconds so the system can fully stabilize. Then slowly turn the free air calibration trimpot clockwise until the display indicates "FA". Try to set the trimpot at the point where the display just starts to indicate "FA".

The free air calibration procedure should be performed at reasonable intervals (every 250-500 hours) or whenever the sensor is replaced. If you cannot get the display to indicate "FA" when the trimpot is turned full clockwise (sensor in free air), you either

---

have a damaged sensor or very high hydrocarbon levels in your environment.

The WEGO IV will start logging data once the sensor has reached normal operating temperature and the unit displays an AFR value or "FA". The unit will not log data when "CL" or "PC" is displayed. The unit stops logging data while a diagnostic code is set (however the code is logged). The interval between samples can be set from 0.1-1.0 seconds using the WEGO Single Channel Data Logging software. The unit stores the last 8,000 samples. The software also displays any logged diagnostic codes. Refer to the software instructions for details.

The "OT" diagnostic code indicates that the WEGO IV unit (not the sensor) is too hot. This may occur if the unit is operated for an extended period of time at ambient temperatures above 150° F.

## **EXHAUST CONSIDERATIONS**

The WEGO IV system may give inaccurate results in certain situations:

**Excessive exhaust back pressure.** Wide-band sensors are affected by back pressure. Excessive back pressure causes exaggerated AFR indications under rich and lean conditions, but has little effect at the stoichiometric AFR. The WEGO IV is intended to be used with a free flowing performance exhaust. Overly restrictive stock mufflers may cause excessive back pressure under wide open throttle. When used with a turbo system, the sensor must be mounted downstream of the turbo.

**Exhaust reversion.** Reversion is the term for a negative pressure wave that can suck ambient air back into the exhaust and cause an erroneous lean AFR indication. Exhausts without mufflers, such as open headers or "drag pipes" on motorcycles, usually suffer from reversion effects and may not be suitable for use with the WEGO IV. Reversion effects will also occur with certain exhausts used on "bagger" style motorcycles, where two pipes split off near the rear cylinder. Reversion effects will be most noticeable at idle, part throttle low RPM cruise, and decel.

**Excessive scavenging.** Turbo systems or tuned exhausts in combination with a high overlap camshaft profile can force unburned air and fuel mixture through the cylinder into the exhaust and cause an erroneous rich AFR indication.

**Misfiring.** If the AFR is so rich that the engine misfires, high levels of oxygen will remain in the exhaust gas and result in an erroneous lean indication.

## **APPLICATIONS**

WEGO units are useful in a wide range of engine tuning and testing applications. WEGO units can be programmed with the WEGO Single Channel Data Logging software to display Lambda or correct AFR values for any hydrocarbon fuel with a known stoichiometric ratio. After free air calibration, accuracy is  $\pm 0.007$  Lambda ( $\pm 0.1$  gasoline AFR) over the range of 0.70-1.33.Lambda (10.3-19.5 gasoline AFR). Regardless of the units displayed on the WEGO, data is logged internally in Lambda units and can be rescaled in the software for any fuel type. Refer to the software instructions for details.

All WEGO units have the same scaling for the 0-5 volt analog outputs on the white and blue wires:

### **Lambda:**

$$\text{Lambda} = .1361 \times (\text{Vout} + 5) \quad \text{or}$$

$$\text{Vout} = (7.345 \times \text{Lambda}) - 5$$

### **Gasoline:**

$$\text{AFR} = 2 \times (\text{Vout} + 5) \quad \text{or}$$

$$\text{Vout} = (0.5 \times \text{AFR}) - 5$$

When power is first turned on and the sensor is not yet at its normal operating temperature, the analog output is held at less than 0.20 volts. During free air calibration and while the unit displays "FA", the analog output will be near 5.0 volts.

---

## **GASOLINE ENGINE TUNING GUIDELINES**

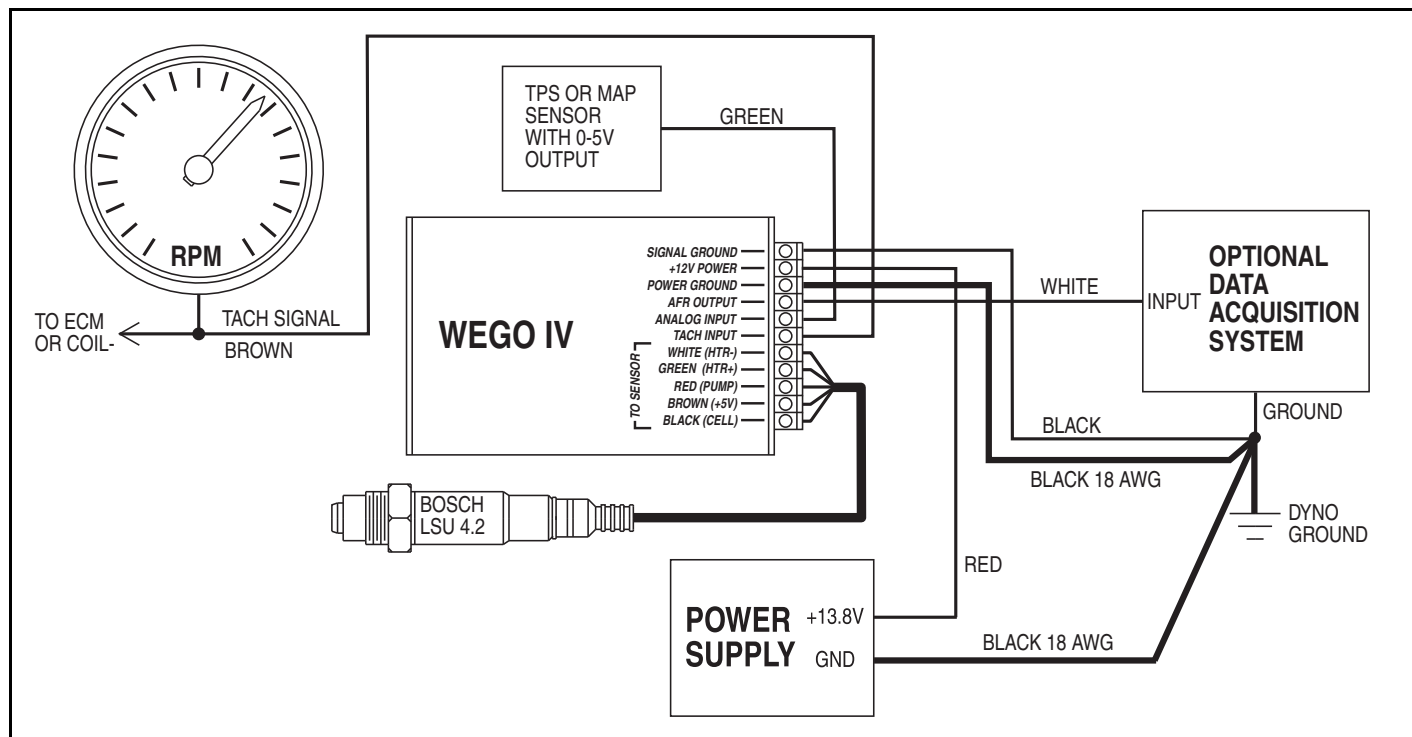
Higher AFR values correspond to a leaner (less fuel) condition. The practical operating range for most engines using gasoline fuel is from approximately 11.5 to 14.7 AFR. Combustion of a stoichiometric mixture (exactly enough air to burn all the fuel) results in 14.7 AFR indication. Automotive engines with catalytic converters operate near 14.7 AFR during cruise and idle. Race engines usually require a richer mixture to limit cylinder head temperature and prevent detonation. The table below lists reasonable AFR values for race engines without emission controls.

| <b>Operating Mode</b>                      | <b>Recommended AFR</b>   |
|--|--|
| Cold Start (first 30 sec)                  | 11.5-12.5 AFR<br>0.78-0.85 Lambda  |
| Idle                                       | 12.8-13.5 AFR<br>0.87-0.92 Lambda  |
| Part Throttle Cruise                       | 13.0-14.0 AFR<br>0.88-0.95 Lambda  |
| Wide Open Throttle<br>(normally aspirated) | 12.5-12.8 AFR<br>0.85-0.87 Lambda<br><br>Values down to 11.5 AFR<br>or 0.78 Lambda may be<br>used to reduce<br>detonation) |
| Wide Open Throttle<br>(turbo/supercharged) | 10.8-11.8 AFR<br>0.73-0.80 Lambda  |

## **EXHAUST SNIFFERS**

WEGO units can be used with easily fabricated exhaust sniffers that allow temporary installation on most automobiles and motorcycles for tuning and diagnostic purposes, including vehicles with catalytic converters. The exhaust sniffers are constructed from materials that are readily available at any hardware store.

Figure 3 – Typical Dyno Hookup for WEGO IV



## DYNO WIRING HOOKUP

Refer to Figure 3. The power supply must be located in close proximity to the WEGO unit. We recommend mounting the WEGO unit on a panel next to the dyno data acquisition system and then running extension cables out to the sensors in the dyno room. **Keep all power and ground connections as short as possible. Follow the exact layout shown in Figure 3. Do not add additional terminal blocks or connectors to power or ground connections.**

## DYNO GROUNDING

Improper grounding will cause serious problems. The dyno frame or chassis must be connected to building electrical ground in accordance with National Electrical Code (NEC) requirements.

Vehicles operated on a chassis dyno will generate considerable electrostatic charge. The vehicle must be grounded to the dyno frame while in operation. You can use a length of 16 AWG wire with one end secured to the dyno frame and the other end equipped with a heavy duty alligator clip that is attached to the vehicle frame or other vehicle ground point. Failure to ground the vehicle will lead to

electrostatic discharge (ESD) across the WEGO sensor damaging the sensor and WEGO unit.

**CAUTION: To avoid damage to the WEGO, a secure ground connection must be established between the vehicle and dyno chassis before connecting tach or analog signals.**

## WEGO POWER REQUIREMENTS

WEGO systems are intended for nominal 12 volt automotive applications. Nominal 12 volt automotive electrical systems on alternator equipped vehicles typically operate at 13.8-14.4 volts while the engine is running. The WEGO can operate from 9.0 to 18.0 volts.

WEGO units also feature low power consumption (about 1 amp). For small engine applications, you can power the WEGO for over one hour from a 12 volt gel cell type rechargeable battery, such as the type used for backup power in alarm systems.



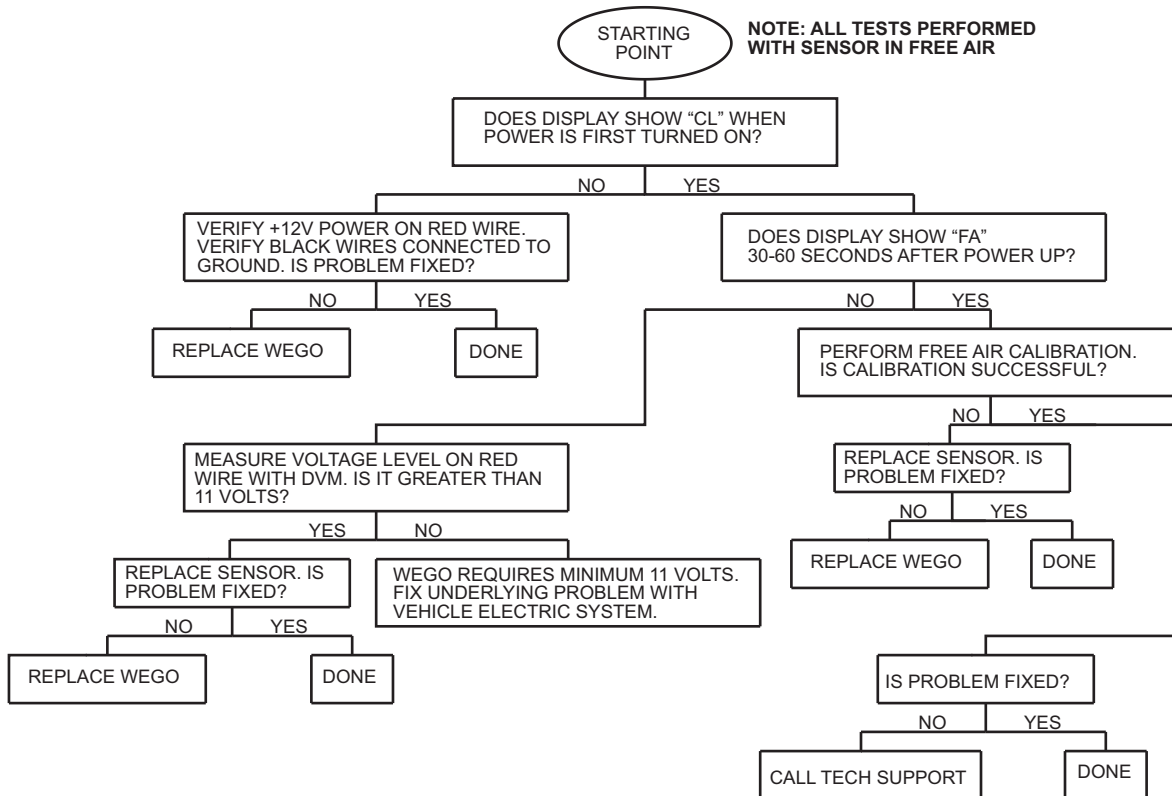
Vehicles with nominal 12 volt total loss electrical systems (no alternator) can momentarily drop below the 9.0 volt minimum level when heavy loads, such as fans or nitrous solenoids engage. This will cause the WEGO to reset and result in a loss of data for 10-15 seconds.

Vehicles with nominal 16 volt electrical systems equipped with race type alternators may reach 18.6 volts while the engine is running. The WEGO will shut off if the voltage exceeds 18.0 volts. Call our tech support before attempting to install any WEGO system on a nominal 16 volt electrical system with an alternator.

## TROUBLESHOOTING FLOWCHART

Follow the troubleshooting flowchart shown below. Experience has shown that most units returned for warranty are OK and another problem, such as user error, a degraded sensor, or bad power connections is later identified.

### Troubleshooting Flowchart



**CAUTION: Racing gasoline containing lead will quickly degrade the sensor. Under these conditions, expected sensor life is less than 10 hours. There is no warranty on sensors.**

**CAUTION: WEGO IV units are not sealed. These units are intended for dash mounting or use in dry environments. There is no warranty on units with moisture damage.**