



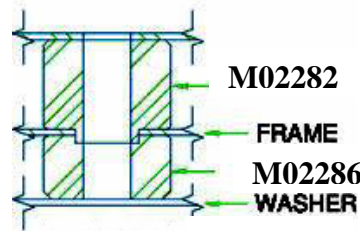
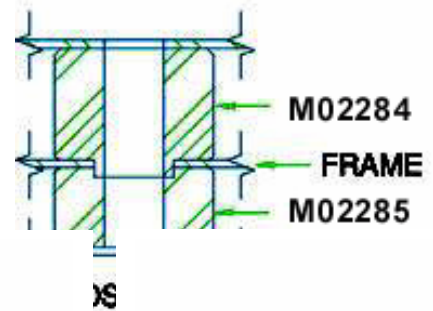
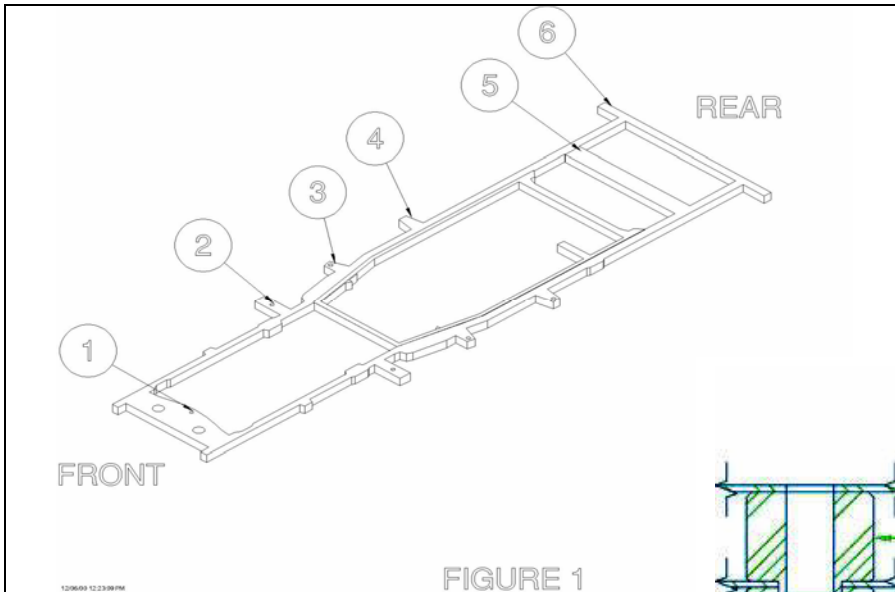
KJ04003 76-79 CJ-5 & CJ-7 Body Mount Installation Instructions

Before beginning read all instructions and check Bill of Materials

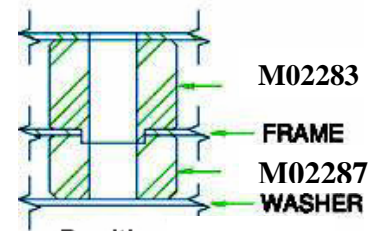
Bill of Materials			
Part No.	Description	KJ04003	Position
MO2282	Bushing	2	2
MO2283	Bushing	18	3,4,5,6
MO2284	Bushing	1	1
MO2285	Bushing	1	1
MO2286	Bushing	2	2
M02287	Bushing	8	3,4,5,6



1. **PLASTIC RADIATOR FAN SHROUD:** Only raise body high enough to remove and replace body mounts. Always watch the fan shroud for sufficient clearance when raising the body.
2. Loosen body mount bolts on one side of vehicle and remove bolts from opposite side for positions 1,5 and 6 (ref. Fig.1) and positions 2, 3 and 4. Use a long extension to remove mounts next to gas tank. Place 2x4 between jack and body to spread out load and jack up body on the side you have removed the bolts from just far enough to remove mounts. The bolts on the opposite side will help ensure that the body does not shift. **CAUTION:** Open Hood while jacking up the body to make sure that the fan doesn't hit the shroud. Also, watch that hoses and wires are not stretched. When lifting the side of the vehicle that the fuel filler is on keep a close eye not to stretch, tear or pull too far on the hose connection.
3. Remove factory mounts one at a time.
4. Jack up the body using a 2x4 under one side of the body for support just high enough to insert new body spacers. If the steel collar on new mounts will not insert in frame holes, you may have to file out frame mount hole slightly to install spacer. Repeat on opposite side.
5. Now remove bolts from other side of vehicle and repeat instructions 3 through 6.
6. Once all new mounts are in place, you may re-torque all bolts to factory specs. Do not over tighten bolts.
7. Before starting engine, check fan for clearance of all lines and wires to make sure they are free and clear.



Position 2



Position 3-4-5-6