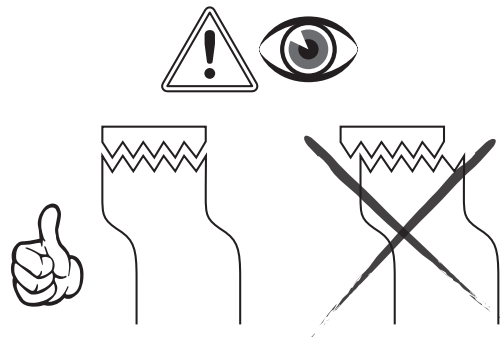
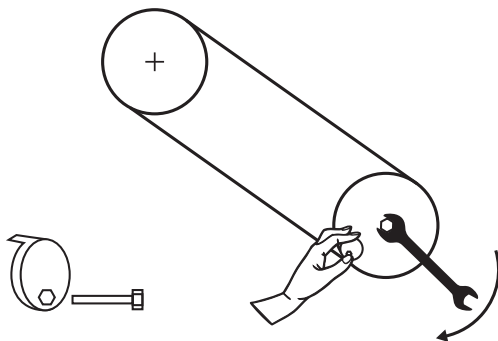
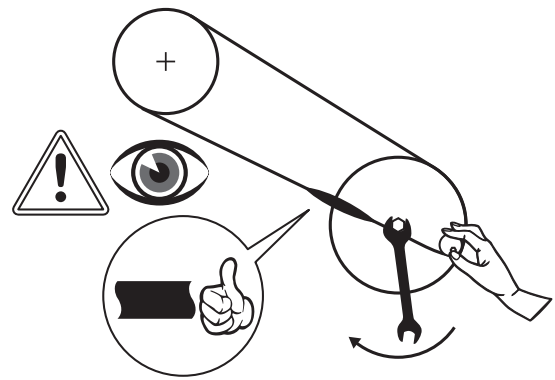
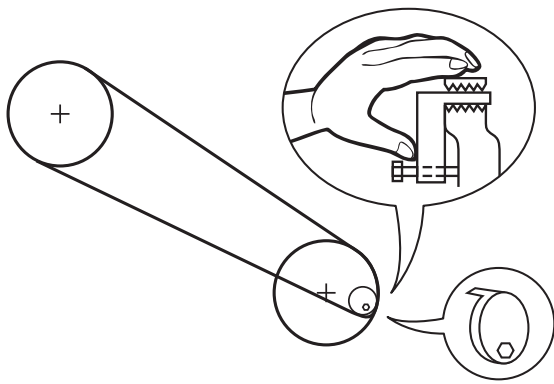
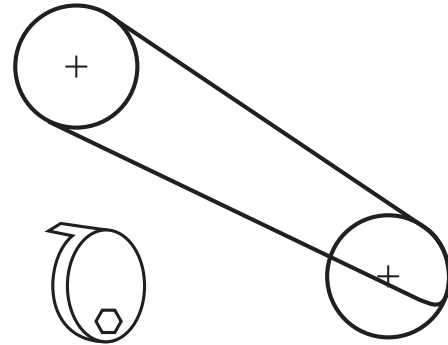
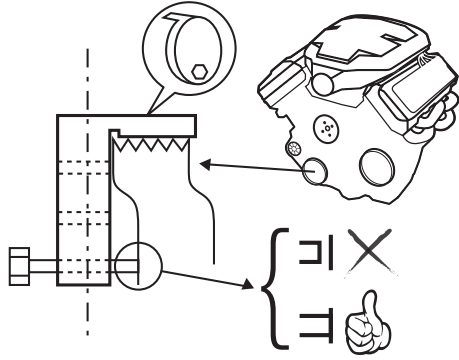


# Dayco® ela belt tool instructions

## Installation



**Storing product above 100°F/38°C could result in belt shrinking, affecting installation**