



# Installation Instructions

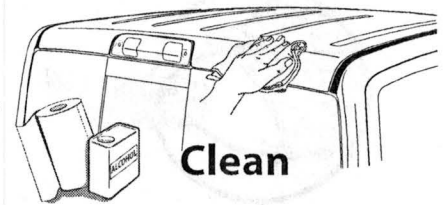
Cab Spoiler  
DODGE

2009-ON DODGE RAM 1500 - FITS ALL MODELS  
2010-ON DODGE RAM HD (2500 / 3500) - FITS ALL MODELS  
982859 / 033229

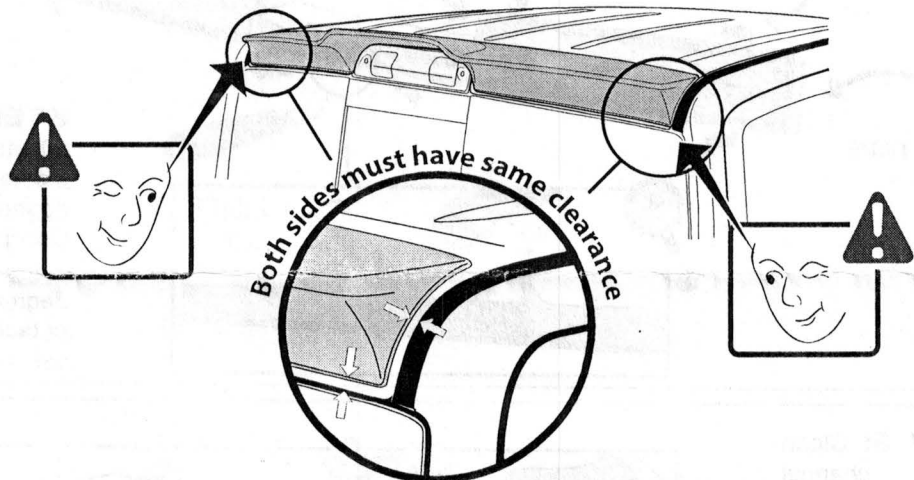
**Important: Please read instructions entirely before installing product. Tape on product only no drilling required**

- Do not drive for four hours after install
- Do not install in weather conditions below 60 (°F)
- Do not use petroleum based solvents or abrasives
- Wash with water, detergent and soft cloth or sponge

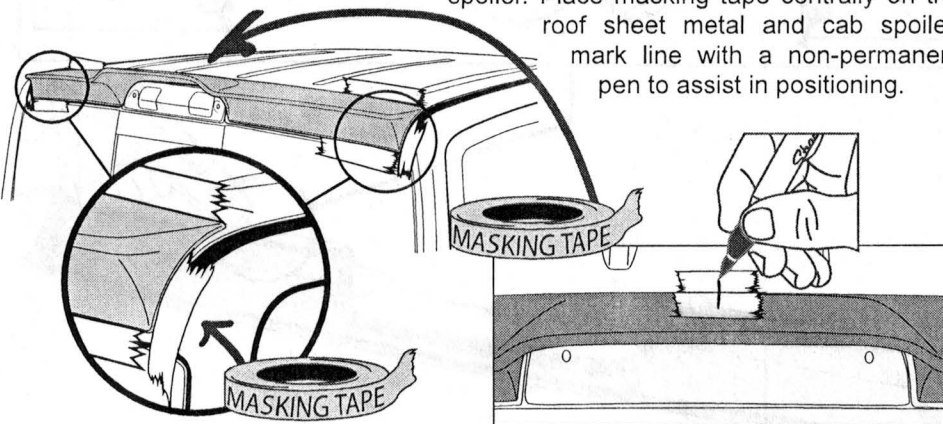
**STEP 1:** Test fit part on vehicle prior to install. Clean the areas on the roof where the cab spoiler will contact the sheet metal using soap and water. A secondary cleaning of isopropyl alcohol can be used, but is not required.



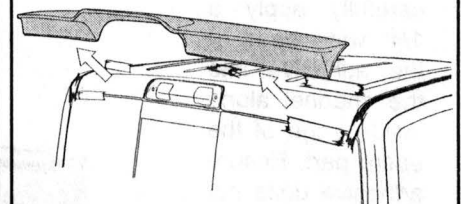
**STEP 2:** Align cab spoiler centrally on the roof, ensuring equal spacing around the Center High Mount Stop Light and at both ends of the spoiler to the roof weather-strip channel.



**STEP 3:** Place masking tape on roof aligning the edge of the masking tape to each end on the cab spoiler. Place masking tape centrally on the roof sheet metal and cab spoiler, mark line with a non-permanent pen to assist in positioning.



**STEP 4:** Remove cab spoiler.





# Installation Instructions

Cab Spoiler

DODGE

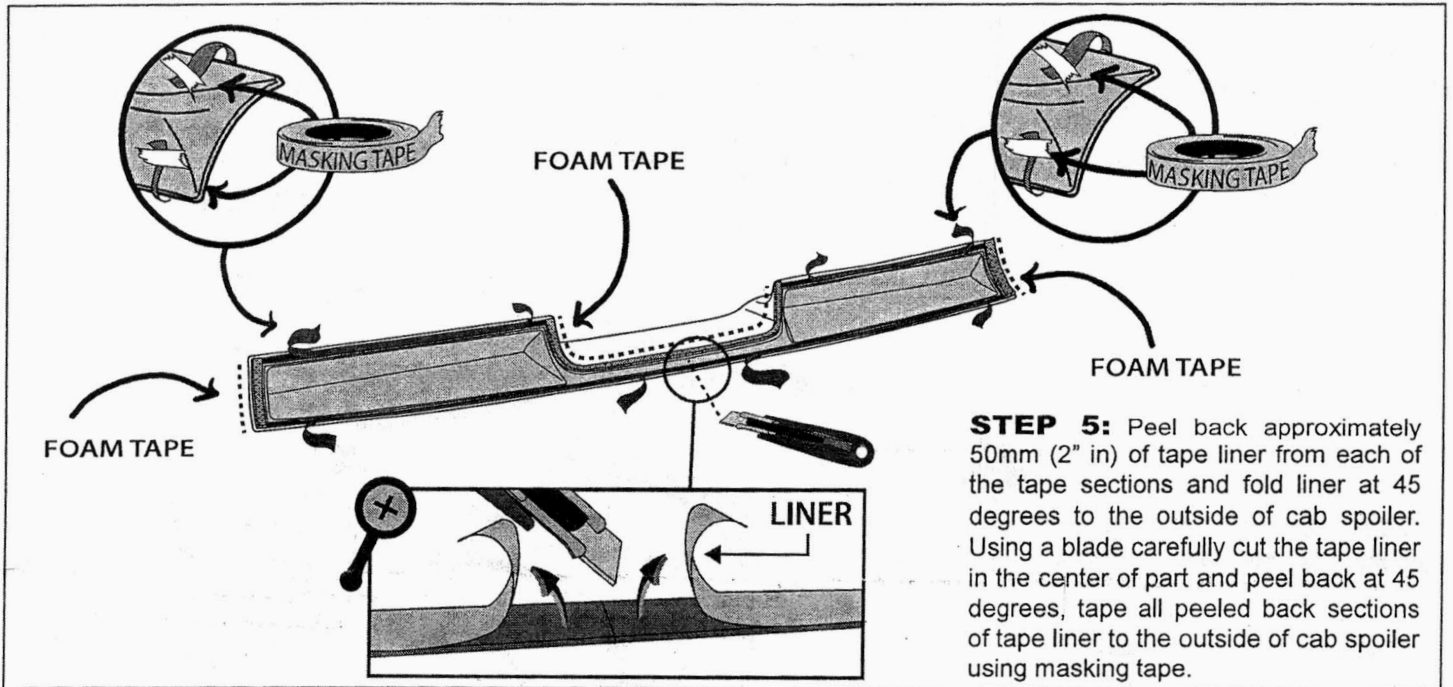
2009-ON DODGE RAM 1500 - FITS ALL MODELS

2010-ON DODGE RAM HD (2500 / 3500) - FITS ALL MODELS

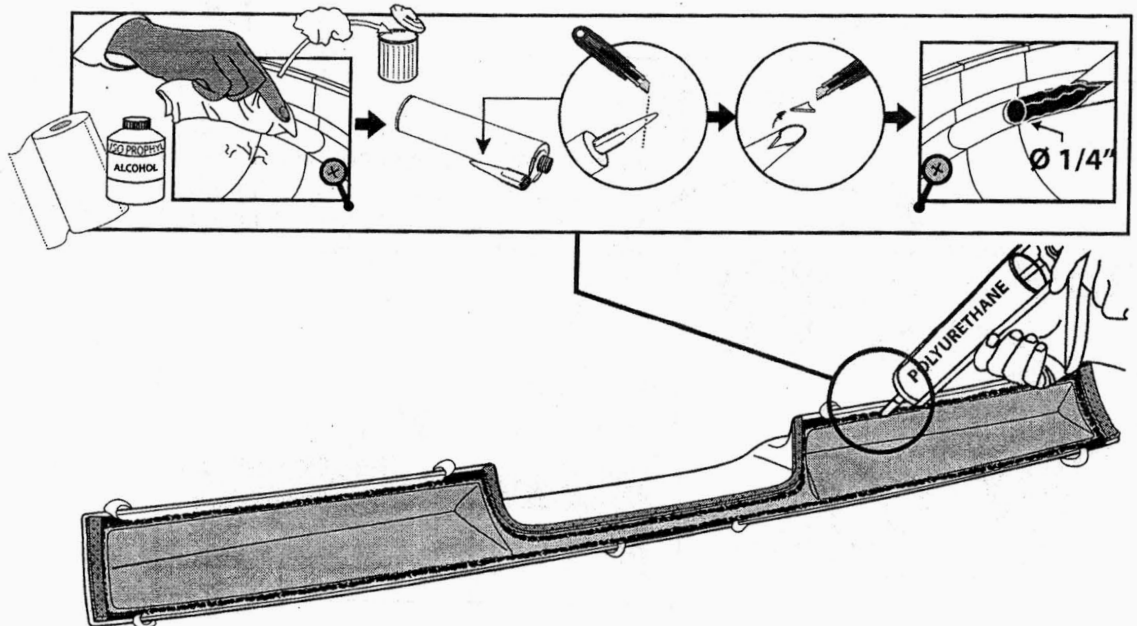
982859 / 0332299

**Important: Please read instructions entirely before installing product. Tape on product only no drilling required**

- Do not drive for four hours after install
- Do not install in weather conditions below 60 (°F)
- Do not use petroleum based solvents or abrasives
- Wash with water, detergent and soft cloth or sponge



**STEP 6:** Clean the channel running along the inside edge of part with isopropyl alcohol, wipe dry with a clean cloth. Insert the nozzle to the adhesive tube. Cut the top of nozzle and place in dispensing gun, carefully apply a 1/4" wide bead of the adhesive into the channel along inside edge of the entire part. Ensure adhesive does not come into contact with the tape.





# Installation Instructions

Cab Spoiler  
DODGE

2009-ON DODGE RAM 1500 - FITS ALL MODELS  
2010-ON DODGE RAM HD (2500 / 3500) - FITS ALL MODELS  
982859 / 033229

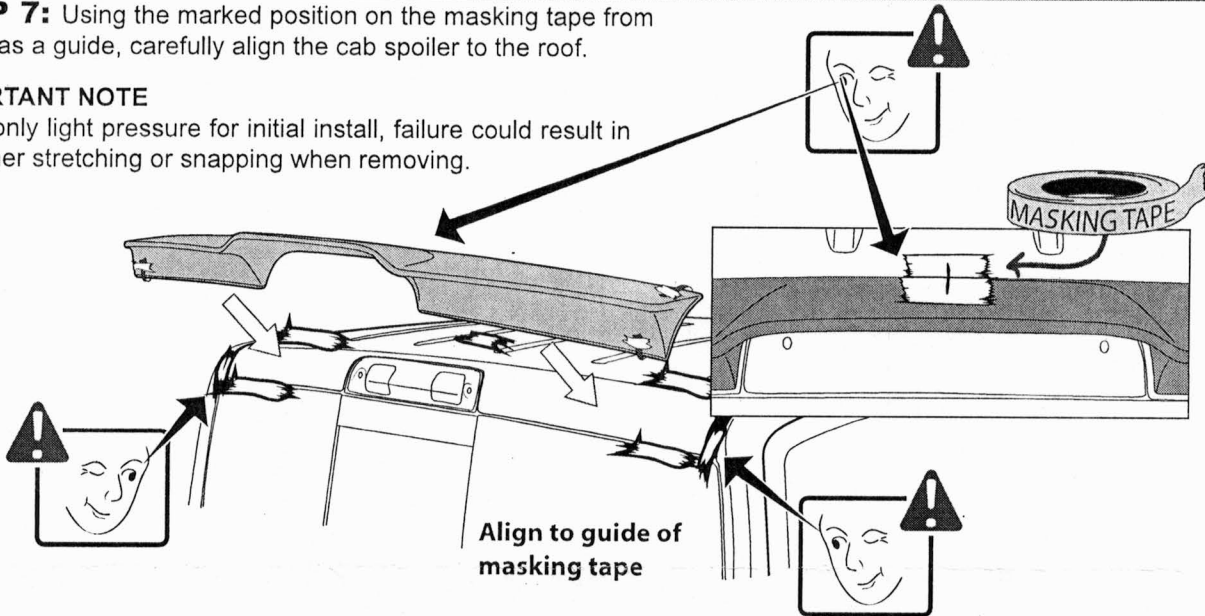
**Important: Please read instructions entirely before installing product. Tape on product only no drilling required**

- Do not drive for four hours after install
- Do not install in weather conditions below 60 (°F)
- Do not use petroleum based solvents or abrasives
- Wash with water, detergent and soft cloth or sponge

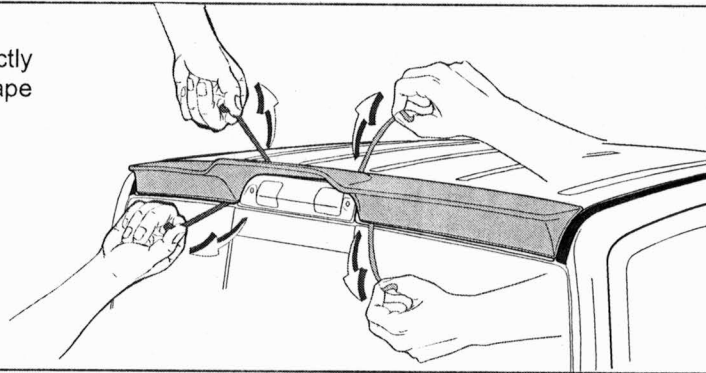
**STEP 7:** Using the marked position on the masking tape from step 3 as a guide, carefully align the cab spoiler to the roof.

### IMPORTANT NOTE

Apply only light pressure for initial install, failure could result in tape liner stretching or snapping when removing.



**STEP 8:** Once correctly positioned remove the tape liner from the cab spoiler.



**STEP 9:** Press and rub the cab spoiler down along attachment points approximately 5 times with a dry clean cloth, remove masking tape from roof.

