



# Installation Instructions

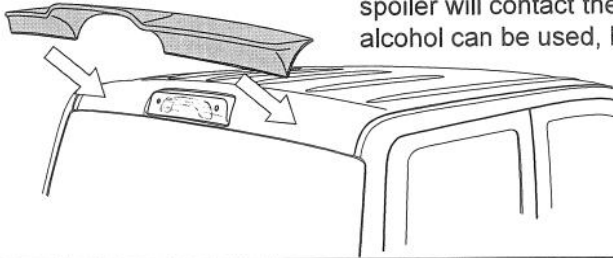
Cab Spoiler

2014-On Chev Silverado 1500 (LD) / 2015-On Chev Silverado 2500 / 3500 (HD)  
2014-On GMC Sierra 1500 (LD) / 2015-On GMC Sierra 2500 / 3500 (HD)  
Fits Crew Cab and Double Cab  
981579 / 033037

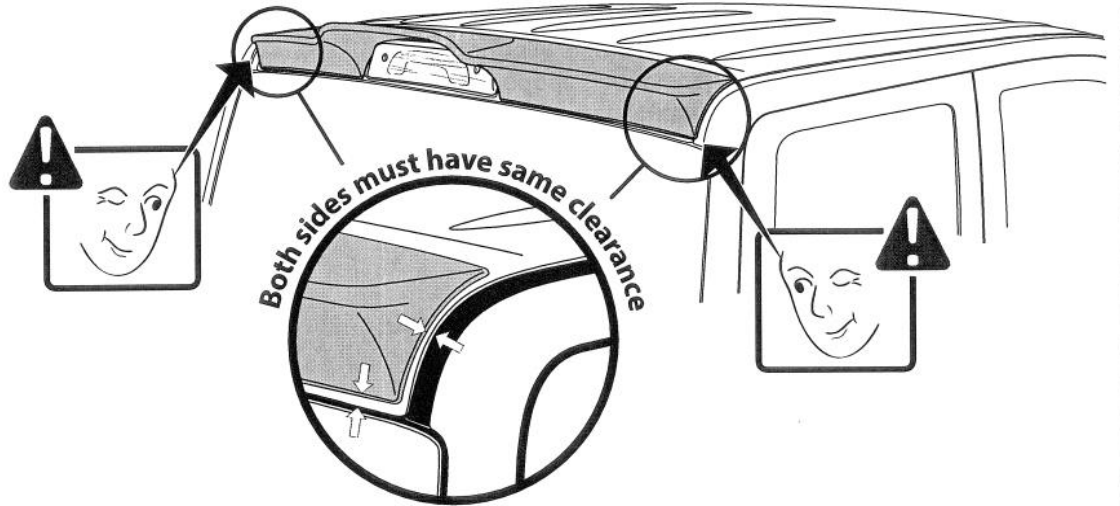
**Important: Please read instructions entirely before installing product. Tape on product only no drilling required**

- Do not drive for four hours after install
- Do not install in weather conditions below 60 (°F)
- Do not use petroleum based solvents or abrasives
- Wash with water, detergent and soft cloth or sponge

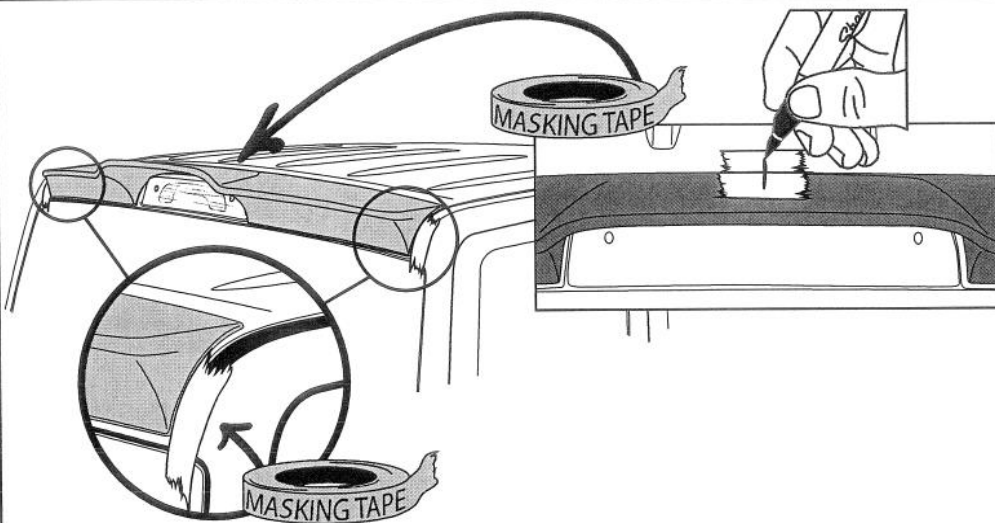
**STEP 1:** Test fit part on vehicle prior to install. Clean the areas on the roof where the cab spoiler will contact the sheet metal using soap and water. A secondary cleaning of isopropyl alcohol can be used, but is not required.



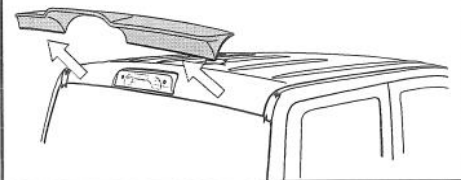
**STEP 2:** Align cab spoiler centrally on the roof, ensuring equal spacing around the Center High Mount Stop Light and at both ends of the spoiler to the roof weather-strip channel.



**STEP 3:** Place masking tape on roof aligning the edge of the masking tape to each end on the cab spoiler. Place masking tape centrally on the roof sheet metal and cab spoiler, mark line with a non-permanent pen to assist in positioning.



**STEP 4:** Remove cab spoiler.





# Installation Instructions

Cab Spoiler

2014-On Chev Silverado 1500 (LD) / 2015-On Chev Silverado 2500 / 3500 (HD)

2014-On GMC Sierra 1500 (LD) / 2015-On GMC Sierra 2500 / 3500 (HD)

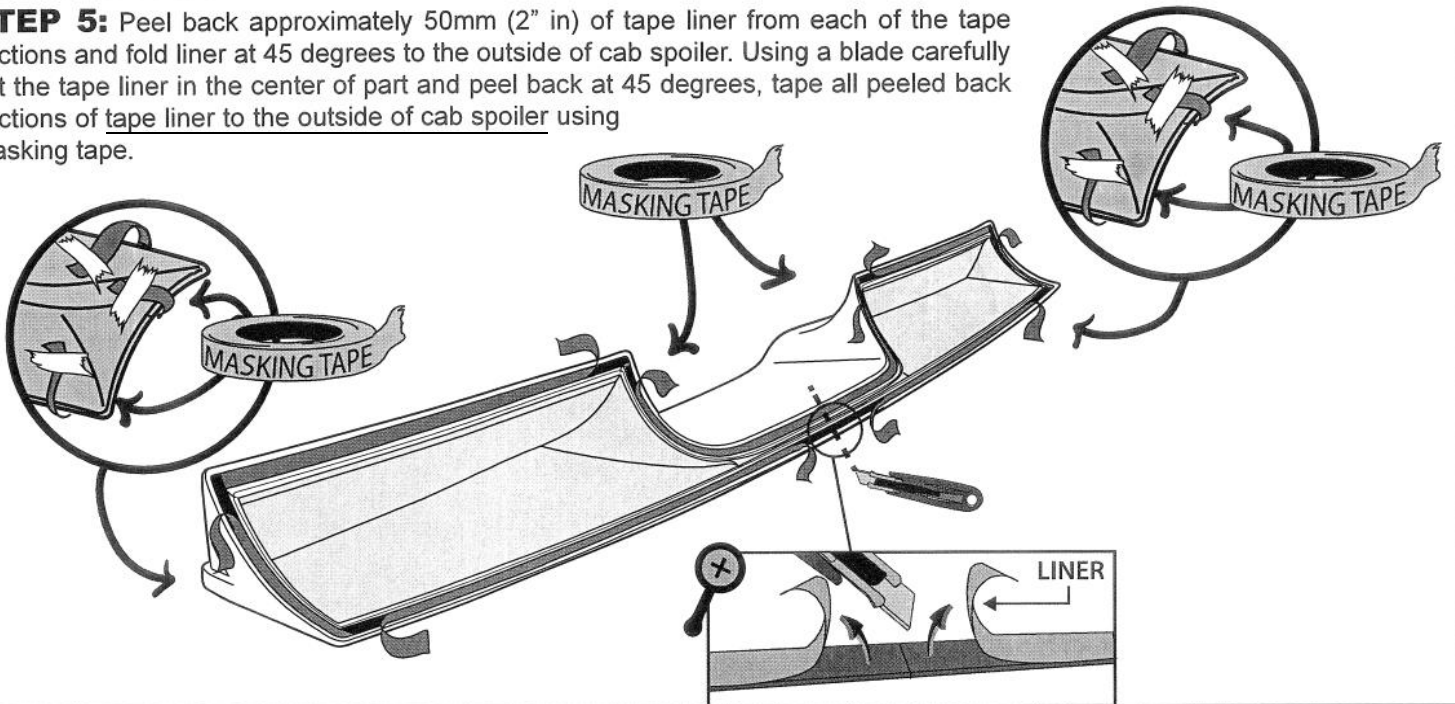
Fits Crew Cab and Double Cab

981579 / 033037

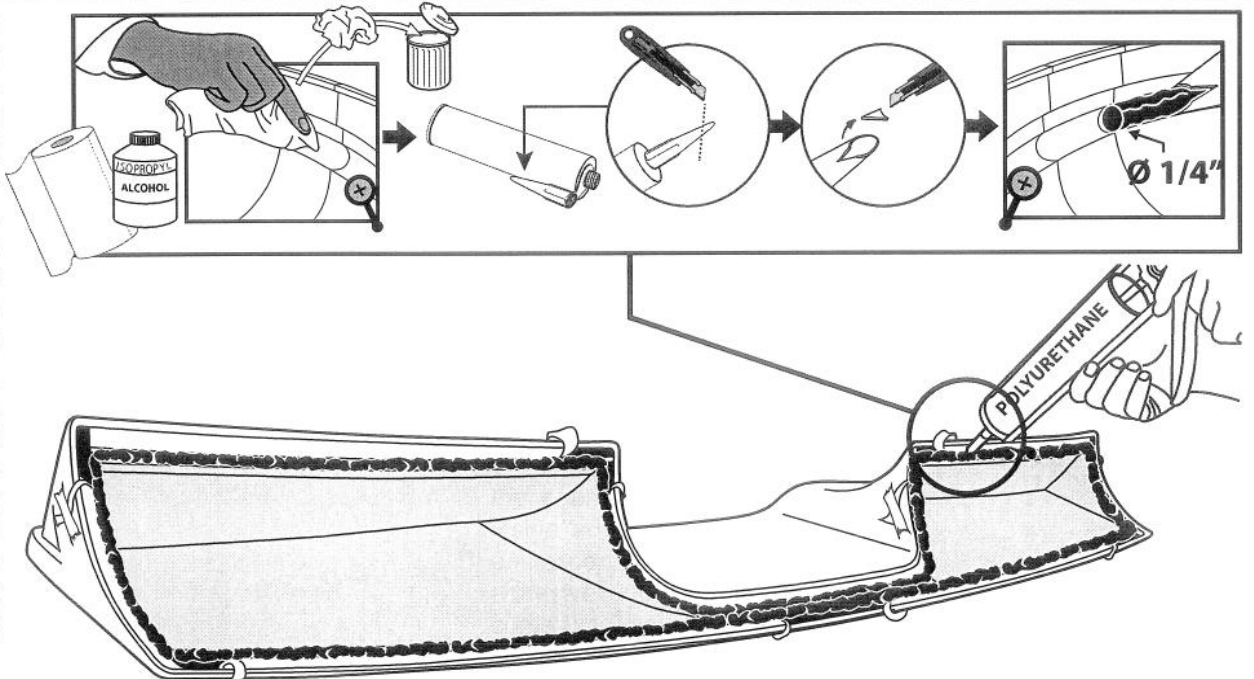
**Important: Please read instructions entirely before installing product. Tape on product only no drilling required**

- Do not drive for four hours after install
- Do not use petroleum based solvents or abrasives
- Do not install in weather conditions below 60 (°F)
- Wash with water, detergent and soft cloth or sponge

**STEP 5:** Peel back approximately 50mm (2" in) of tape liner from each of the tape sections and fold liner at 45 degrees to the outside of cab spoiler. Using a blade carefully cut the tape liner in the center of part and peel back at 45 degrees, tape all peeled back sections of tape liner to the outside of cab spoiler using masking tape.



**STEP 6:** Clean the channel running along the inside edge of part with isopropyl alcohol, wipe dry with a clean cloth. Insert the nozzle to the adhesive tube. Cut the top of nozzle and place in dispensing gun, carefully apply a 1/4" wide bead of the adhesive into the channel along inside edge of the entire part. Ensure adhesive does not come into contact with the tape.





# Installation Instructions

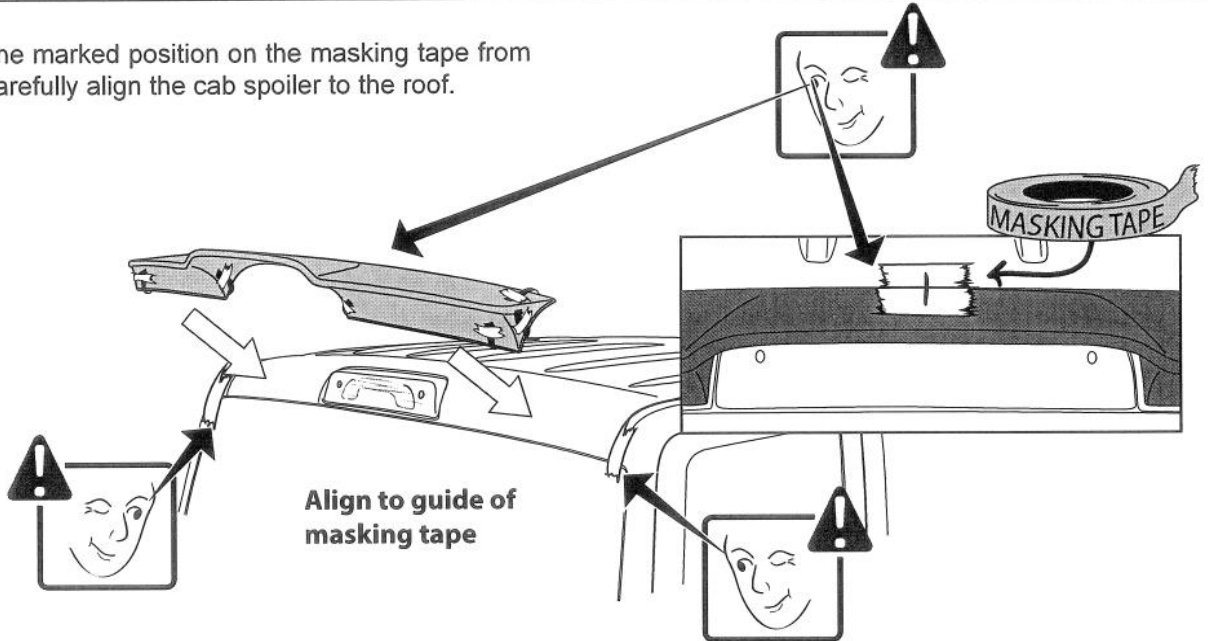
Cab Spoiler

2014-On Chev Silverado 1500 (LD) / 2015-On Chev Silverado 2500 / 3500 (HD)  
2014-On GMC Sierra 1500 (LD) / 2015-On GMC Sierra 2500 / 3500 (HD)  
Fits Crew Cab and Double Cab  
981579 / 033037

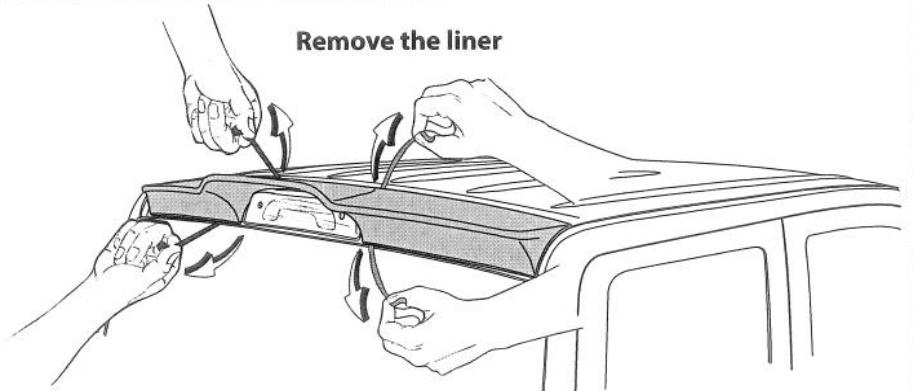
**Important: Please read instructions entirely before installing product. Tape on product only no drilling required**

- Do not drive for four hours after install
- Do not use petroleum based solvents or abrasives
- Do not install in weather conditions below 60 (°F)
- Wash with water, detergent and soft cloth or sponge

**STEP 7:** Using the marked position on the masking tape from step 3 as a guide, carefully align the cab spoiler to the roof.



**STEP 8:** Once correctly positioned remove the tape liner from the cab spoiler.



**STEP 9:** Press and rub the cab spoiler down along attachment points approximately 5 times with a dry clean cloth, remove masking tape from roof.

