

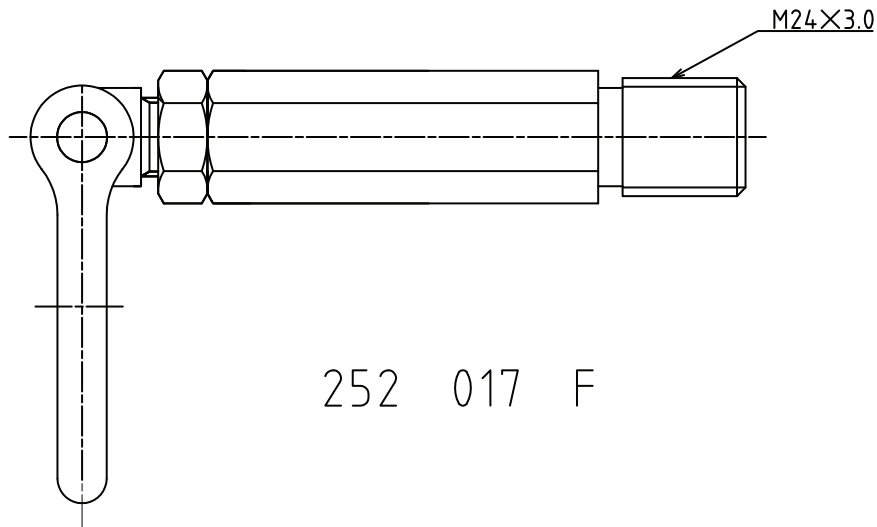


- Installation Manual -

252 017 F

[Folding Tow Hook](#)

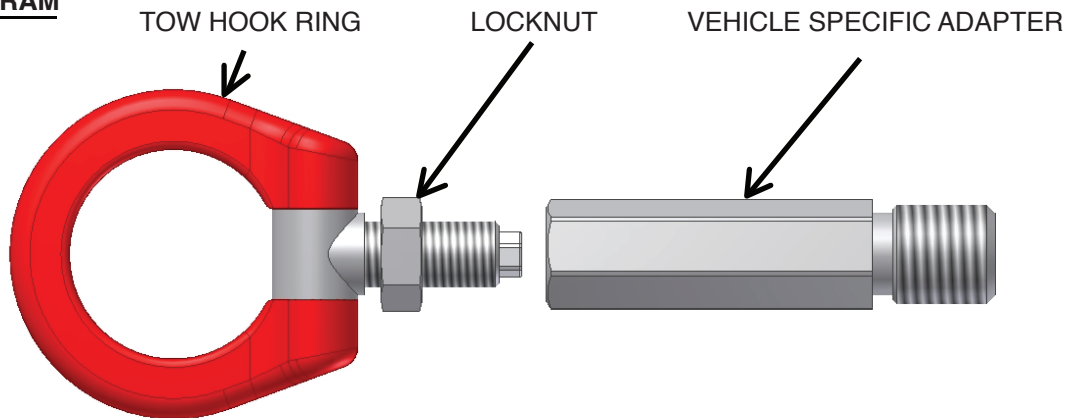
[Part Number]	252 017 F
[Application]	Nissan Fairlady Z [Z34] Nissan 370Z [Z34] Nissan GT-R [R35]
[Product]	Folding Tow Hook
[Description]	Front swivel joint tow hook
[Contents]	Tow Hook Ring x1 Vehicle Specific Adapter x1 Install Manual x1



⚠ CAUTION

- This product has been approved by the Japan Automobile Federation (JAF) for competition use only.
- This product is designed for competition use only and shall not be used in public streets.
- Check the product for any damages or improper installation before towing.
- This product may not be used for any other purpose than towing the vehicle.
- Applying excessive impact or stress may cause damage to the product and can be dangerous for use. Use caution.
- Tow hook protrusion may cause injuries to those surrounding the vehicle. Use caution when working around the vehicle.

PRODUCT DIAGRAM



INSTALLATION

1.) Gently remove the tow hook cover located on the bumper.

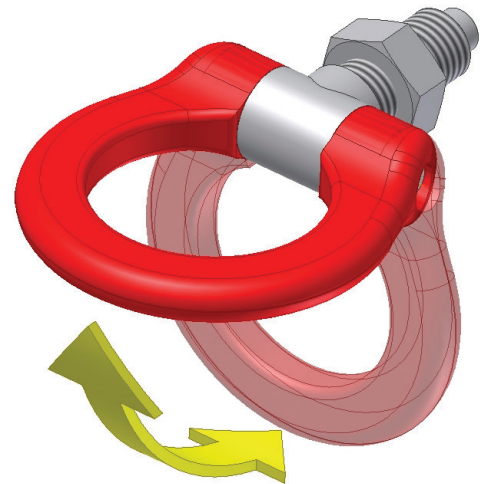


WARNING

- Do not pry off the tow hook cover with force. Always check the factory service manual first beginning any work.
- Be careful not to scratch the paint. Mishandling body components with the wrong set of tools may result in costly damages.

2.) Disassemble the tow hook by loosening the lock nut and separating the tow hook ring from the vehicle specific adapter shaft. Screw in the adapter shaft to the tow hook mounting location.

3.) Screw in the tow hook ring to the adapter shaft with sufficient thread. Determine the position of the length and 90 degree angle of the ring to the bumper, and tighten the lock nut.



WARNING

- Make sure the ring is screwed in to the adapter shaft with more than 20mm of threading.

NOTES

- After securing the tow hook to the vehicle, tug on the hook to see if it is firmly implanted onto the chassis.
- Always use caution when using tow hooks, component failures are not common but plausible.
- The red paint on the tow hook ring is for safety reasons. Some sanctioned competition bodies require this color for visibility. Check for color fade and wear periodically before use.
- For continuous use, periodically check if the unit is torqued properly.