

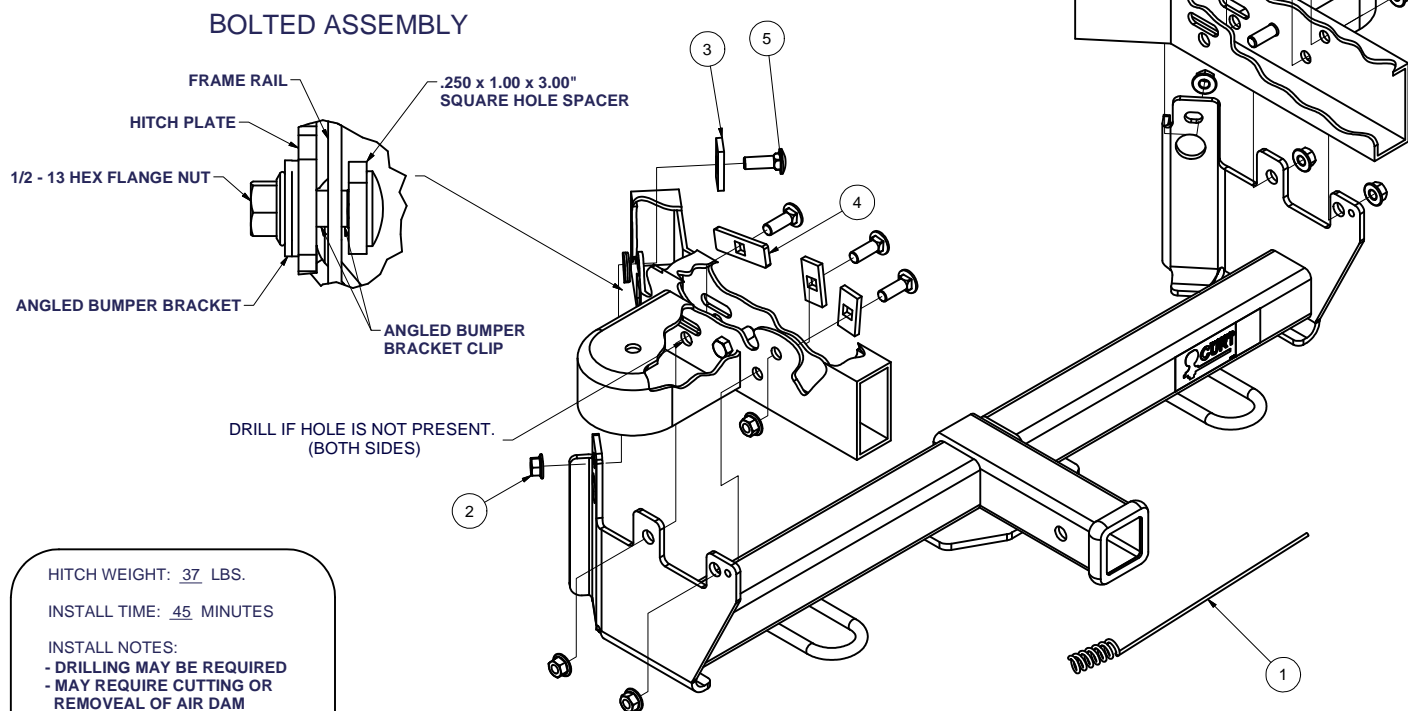
31604 DODGE RAM PICKUP FRONT HITCH

GROSS LOAD CAPACITY WHEN USED AS A WEIGHT CARRYING HITCH: 5,000 LBS. TRAILER WEIGHT & 500 LBS. TONGUE WEIGHT.

GROSS LOAD CAPACITY WHEN USED AS A STRAIGHT LINE PULL: 9,000 LBS. MAX. LINE PULL.

DO NOT EXCEED VEHICLE MANUFACTURER'S RECOMMENDED TOWING CAPACITY.

Parts List				
ITEM	QTY	PART NUMBER	DESCRIPTION	
1	1	1/2"	FISHWIRE TOOL	
2	8	HFN 1213	HEX FLANGE NUT	
3	6	CM-SP12	.250 x 1.00 x 2.00" SQUARE HOLE SPACER	
4	2	CM-SP6	.250 x 1.00 x 3.00" SQUARE HOLE SPACER	
5	8	1/2-13 x 1 1/2	CARRIAGE BOLT	



HITCH WEIGHT: 37 LBS.

INSTALL TIME: 45 MINUTES

INSTALL NOTES:

- DRILLING MAY BE REQUIRED
- MAY REQUIRE CUTTING OR REMOVAL OF AIR DAM

INSTALLATION STEPS

Note: If vehicle has front air dam, a 2" x 2" piece will have to be trimmed, or remove the air dam completely.

- 1) Remove bumper bolts or bolt plate at the end of the frame as well as the bolt and U-nut holding the bumper support to the angled section of the frame.
- 2) Place receiver into position and loosely fasten at the front holes with the hardware provided.
- 3) If middle hole of hitch is not present on the frame, use hitch as a template and drill a 17/32" hole in both frame rails.
- 4) Fishwire remaining hardware into the specified locations.
- 5) Torque 3/8" fasteners to 30 lb-ft.
Torque 7/16" fasteners to 54 lb-ft.
Torque 1/2" fasteners to 72 lb-ft.
Torque 5/8" fasteners to 150 lb-ft.

PERIODICALLY CHECK THIS RECEIVER HITCH TO ENSURE THAT ALL FASTENERS ARE TIGHT AND THAT ALL STRUCTURAL COMPONENTS ARE SOUND.

Curt Manufacturing Inc., warrants this product to be free of defects in material and/or workmanship at the time of retail purchase by the original purchaser. If the product is found to be defective, Curt Manufacturing Inc., may repair or replace the product, at their option, when the product is returned, prepaid, with proof of purchase. Alteration to, misuse of, or improper installation of this product voids the warranty. Curt Manufacturing Inc.'s liability is limited to repair or replacement of products found to be defective, and specifically excludes liability for incidental or consequential loss or damage.

Looking for dependable trailer hitches and towing? Rely on CURT for quality and long-lasting products.