

**YEARS: 2010-PRESENT**

**MAKE: DODGE**

**MODEL: RAM 3500**

**STYLE: PICKUP**

**WARNING: NEVER EXCEED YOUR VEHICLE MANUFACTURER'S RECOMMENDED TOWING CAPACITY**

**WEIGHT CARRYING:**  
**TRAILER WEIGHT: 3,500 LBS.**  
**TONGUE WEIGHT: 350 LBS.**

**GROSS LOAD CAPACITY WHEN USED AS A STRAIGHT LINE PULL:**  
**9,000 LBS MAX.**

**INSTALLATION TIME: 45 MIN.**

*THE INSTALL TIME LISTED IS FOR PROFESSIONAL INSTALLERS. IF YOU ARE HESITANT TO UNDERTAKE THIS TASK ON YOUR OWN, CONTACT AN AUTHORIZED CURT INSTALLER FOR ADDITIONAL ASSISTANCE.*

**INSTALLATION TIPS:**

- BEFORE YOU BEGIN INSTALLATION, READ ALL INSTRUCTIONS THOROUGHLY.
- TO EASE INSTALLATION, 2 PEOPLE MAY BE REQUIRED.
- USING PROPER TOOLS WILL GREATLY IMPROVE THE QUALITY OF THE INSTALL AND REDUCE THE TIME REQUIRED.

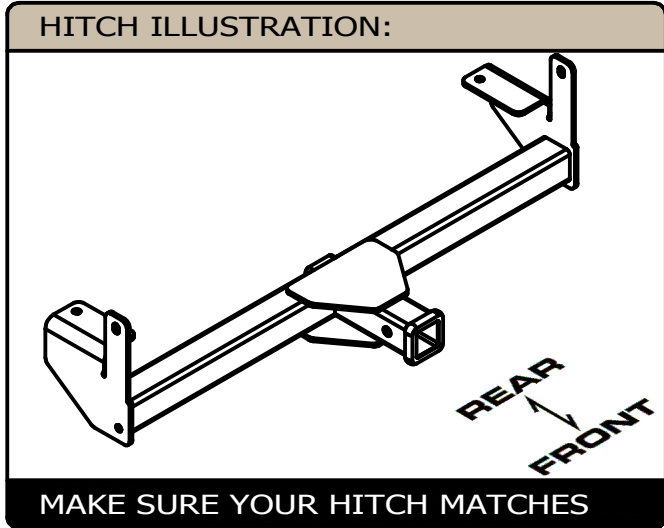


**INSTALLATION REQUIRES:**

<b>RATCHET</b>	<b>SOCKET</b> 3/4" 18mm 10mm	<b>SCREW DRIVER</b>
<b>HOLE SAW</b> 1 1/8"	<b>DRILL BIT</b> 17/32"	<b>POWER DRILL</b>
<b>DIE GRINDER</b>	<b>MARKER</b>	<b>TORQUE WRENCH</b>
<b>CENTER PUNCH</b>	<b>SAFETY GLASSES</b>	<b>MASKING TAPE</b>

**LEVEL OF DIFFICULTY: MODERATE**

EASY	MODERATE	CHALLENGING
	DRILLING REQUIRED	
	FISHWIRE HARDWARE	
	HOLE ENLARGEMENT MAY BE REQUIRED	
	PART REMOVAL REQUIRED	
	FASCIA TRIMMING MAY BE REQUIRED	

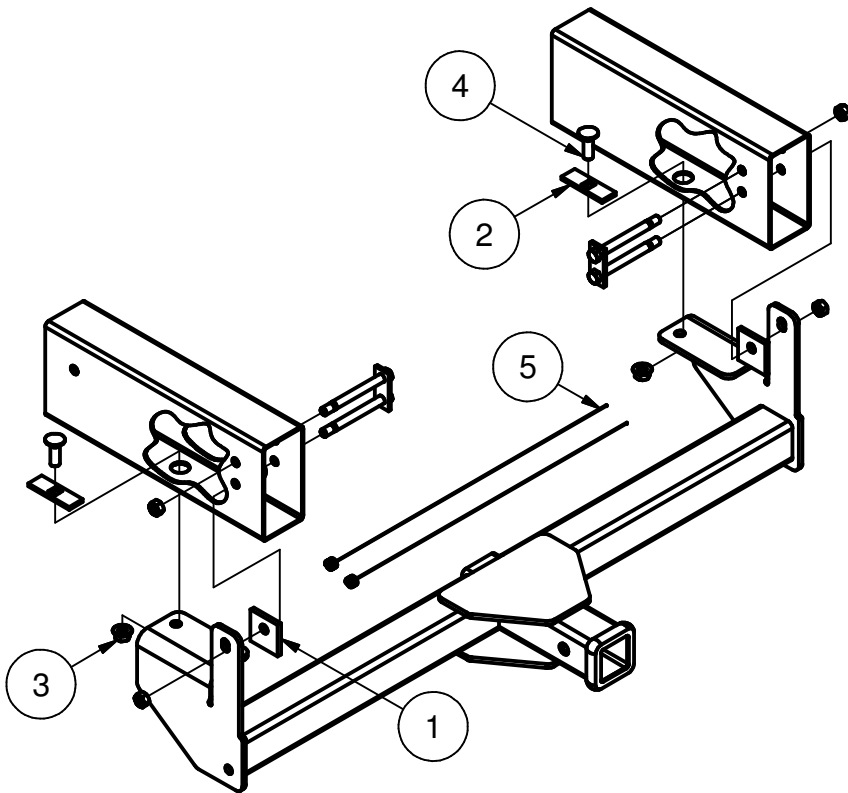


**PERIODICALLY CHECK THIS RECEIVER HITCH TO ENSURE ALL FASTENERS ARE TIGHT AND ALL STRUCTURAL COMPONENTS ARE SOUND**

CURT Manufacturing LLC. warrants this product to be free of defects in material and/or workmanship at the time of retail purchase by the original purchaser. If the product is found to be defective, Curt Manufacturing LLC. may repair or replace the product at their option, when the product is returned, prepaid, with proof of purchase. Alteration to, misuse of, or improper installation of this product voids the warranty. Curt Manufacturing LLC.'s liability is limited to repair or replacement of products found to be defective, and specifically excludes liability for incidental or consequential loss or damage.

## INSTALLATION WALKTHROUGH:

Parts List			
ITEM	QTY	PART NUMBER	DESCRIPTION
1	2	CM-SP42	.250 x 2.00 x 2.00" ROUND HOLE SPACER
2	2	CM-SP40	.188 x 1.00 x 3.00" SQUARE HOLE SPACER
3	2	HFN 1213	HEX FLANGE NUT
4	2	1/2-13 x 1 1/2	CARRIAGE BOLT
5	2	1_2 FISHWIRE	1/2" FISHWIRE



1. Locate and remove (15) clips and (2) screws holding the front bottom fascia to the bumper. (9) clips are located on the outside of the fascia and (3) clips are located on the inside of the driver and passenger side.



2. Locate (4) bolts holding the bumper to the vehicle. Remove bottom nut on driver side. Remove bottom nut on passenger side. Back out top nut on passenger side. Tap bolts on passenger side inward.  
Note: Removal of all bolts will cause the bumper to fall.



## INSTALLATION WALKTHROUGH:

3. Install CM-SP42 spacers over the bottom bolts on the drive and passenger side. Raise the hitch into position by lifting the driver side over the exposed bolt. Rotate the passenger side up and push the bolts outward through the plate. If the bolts will not push outward, gently lift the bumper to relieve the pressure on the bolts.



4. Rotate the hitch against the frame rails. Mark the bottom holes for drilling. If a hole exists on the side of the frame rail near the hitch, enlarge the hole to allow the carriage bolts and CM-SP40 spacers to pass through. Drill the bottom of the frame rails for 1/2" hardware. If no hole exists, remove the hitch and use the hole saw to drill a hole in the bottom of the frame rails.



5. Fishwire the supplied hardware through the enlarged hole (if performed) and out the drilled hole. Reverse fishwire the supplied hardware through the hole created with a hole saw (if performed).



6. Torque 1/2" hardware to 75 lb-ft and M12 hardware to 65 lb-ft.



31065

DODGE RAM 3500

GROSS LOAD CAPACITY WHEN USED AS A WEIGHT CARRYING HITCH: 3,500 LBS. TRAILER WEIGHT & 350 LBS. TONGUE WEIGHT.

GROSS LOAD CAPACITY WHEN USED AS A STRAIGHT LINE PULL: 9,000 LBS. MAX. LINE PULL.

\*\*\* DO NOT EXCEED VEHICLE MANUFACTURER'S RECOMMENDED TOWING CAPACITY. \*\*\*

Parts List				
ITEM	QTY	PART NUMBER	DESCRIPTION	
1	2	1_2 FISHWIRE	1/2" FISHWIRE	
2	2	CM-SP42	.250 x 2.00 x 2.00" ROUND HOLE SPACER	
3	2	CM-SP40	.188 x 1.00 x 3.00" SQUARE HOLE SPACER	
4	2	HFN 1213	HEX FLANGE NUT	
5	2	1/2-13 x 1 1/2	CARRIAGE BOLT	

TOOLS REQUIRED
RATCHET
3/4" SOCKET
18mm SOCKET
10mm SOCKET
DRILL
1 1/8" HOLE SAW
17/32" DRILL BIT
DIE GRINDER
FLAT HEAD SCREWDRIVER
CENTER PUNCH / MARKER
TORQUE WRENCH

**FISHWIRE TECHNIQUE**

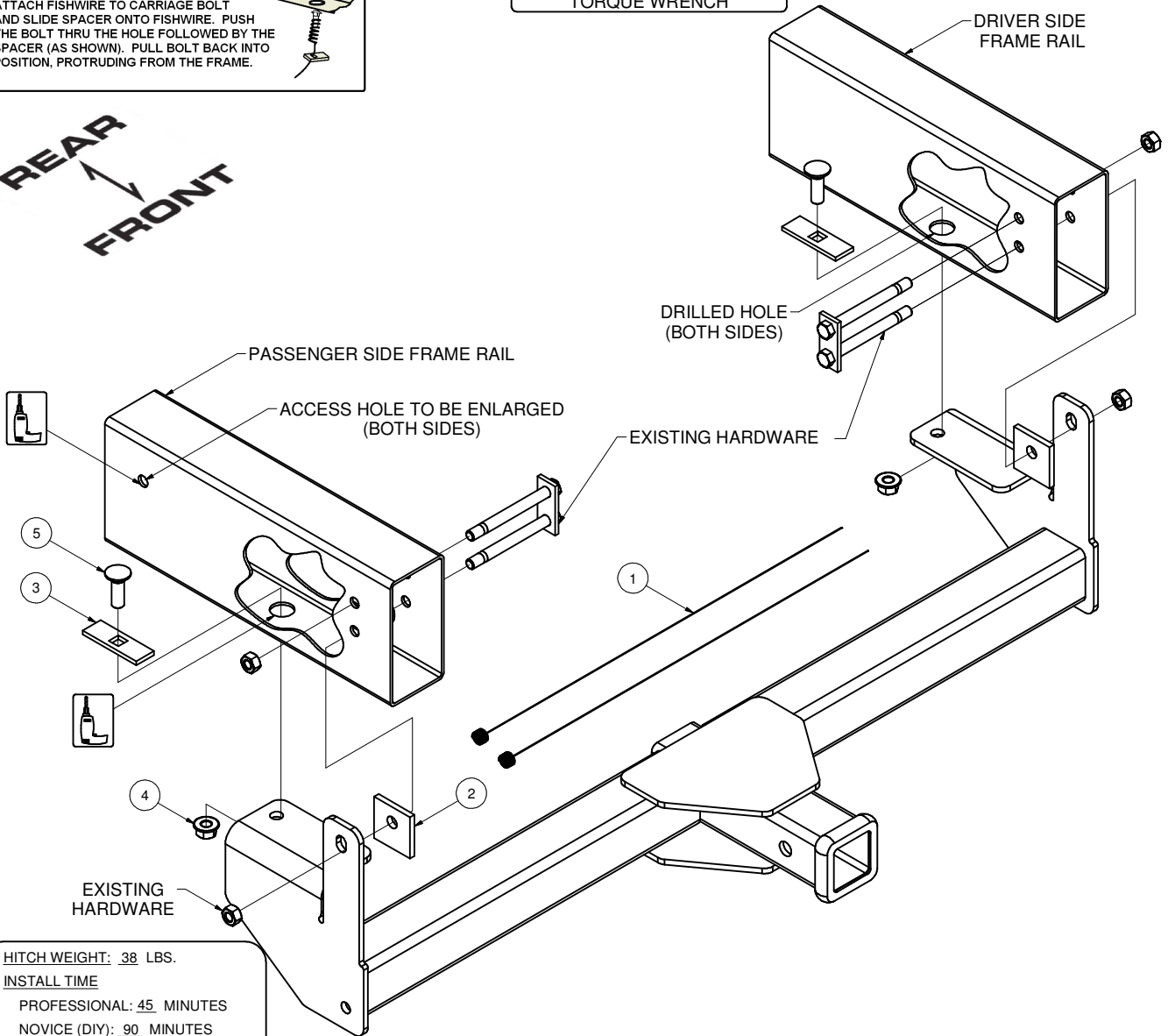
INSERT COILED END OF FISHWIRE TOOL THROUGH HITCH MOUNTING HOLE IN VEHICLE FRAME RAIL AND OUT THE ACCESS HOLE. PASS COILED END OF FISHWIRE THROUGH SPACER AND THREAD BOLT INTO COIL. KINK WIRE TO KEEP SPACER SEPARATE FROM BOLT AS SHOWN. PULL FISHWIRE, SPACER, AND BOLT THROUGH FRAME AND OUT MOUNTING HOLE. USE FISHWIRE TO GUIDE HITCH DURING MOUNTING AND PREVENT LOSS OF BOLT / SPACER INSIDE FRAME RAIL.

\*\*NOTE: SOME VEHICLES MAY FISHWIRE THROUGH END OF FRAME\*\*

**REVERSE PULL FISHWIRE TECHNIQUE**

ATTACH FISHWIRE TO CARRIAGE BOLT AND SLIDE SPACER ONTO FISHWIRE. PUSH THE BOLT THRU THE HOLE FOLLOWED BY THE SPACER (AS SHOWN). PULL BOLT BACK INTO POSITION, PROTRUDING FROM THE FRAME.

REAR  
FRONT



HITCH WEIGHT: 38 LBS.

INSTALL TIME

PROFESSIONAL: 45 MINUTES

NOVICE (DIY): 90 MINUTES

INSTALL NOTES:

- DRILLING REQUIRED
- FISHWIRE FASTENERS
- FASCIA TRIMMING MAY BE REQUIRED
- REMOVE FASCIA

NOTE: LICENSE PLATE RELOCATION MAY BE REQUIRED. THE USE OF CURT PART # 31002 IS RECOMMENDED.

**PERIODICALLY CHECK THIS RECEIVER HITCH TO ENSURE THAT ALL FASTENERS ARE TIGHT AND THAT ALL STRUCTURAL COMPONENTS ARE SOUND.**

Curt Manufacturing Inc., warrants this product to be free of defects in material and/or workmanship at the time of retail purchase by the original purchaser. If the product is found to be defective, Curt Manufacturing Inc., may repair or replace the product, at their option, when the product is returned, prepaid, with proof of purchase. Alteration to, misuse of, or improper installation of this product voids the warranty. Curt Manufacturing Inc.'s liability is limited to repair or replacement of products found to be defective, and specifically excludes liability for incidental or consequential loss or damage.

**31065**

## **DODGE RAM 3500**

**GROSS LOAD CAPACITY WHEN USED AS A WEIGHT CARRYING HITCH: 3,500 LBS. TRAILER WEIGHT & 350 LBS. TONGUE WEIGHT.**  
**GROSS LOAD CAPACITY WHEN USED AS A STRAIGHT LINE PULL: 9,000 LBS. MAX. LINE PULL.**  
**\*\*\* DO NOT EXCEED VEHICLE MANUFACTURER'S RECOMMENDED TOWING CAPACITY. \*\*\***

### **INSTALLATION STEPS**

1. To install this hitch, it is required to either trim the front bottom fascia or remove the fascia. Due to the amount of trimming necessary to fit this hitch, it is advised to remove the bottom fascia piece. The vehicle owner may notice a change in fuel economy if the fascia is removed. Should the vehicle owner wish to trim and reinstall the fascia, it is advised to trim carefully and use their judgement as to how far to trim.
2. To remove the bottom fascia, remove (15) clips and (2) screws. (9) clips are located on the outside of the fascia and (3) clips are located on the inside of the driver and passenger sides of the vehicle.
3. Remove the fascia. Save all clips and screws with the fascia for reinstallation should the hitch ever be removed.
4. The bumper is held onto the vehicle frame by (4) bolts. (2) of these bolts are used for the hitch installation. Removal of the bolts will cause the bumper to fall. To avoid the bumper needing to be supported, follow these steps.
  - A. On the driver side of the vehicle, remove the bottom nut. Leave the top nut attached.
  - B. On the passenger side of the vehicle, remove the bottom nut. Loosen the top nut and back the nut off until only a couple threads are left.
  - C. On the passenger side of the vehicle, use a soft mallet to tap the bolts towards the center of the vehicle. The top nut should prevent the bolts from being pushed into the frame rail.
5. Place (1) CM-SP42 spacer onto the exposed bolt on the driver and passenger side.
6. Raise the hitch into position by first raising the driver side of the hitch and inserting the exposed bolt through the hole in the hitch side plate. Rotate the passenger side of the hitch up into position. Push the passenger side bolts towards the outside through the hitch side plate. If the passenger side bolts are too hard to push back out, gently push up on the bumper to relieve the pressure on the bolts. If that does not work, loosen the remaining driver side bolt to allow the whole bumper to move. Then gently push up on the bumper to allow the bolts to move. Note: If all of the bolts are loosened, the bumper will shift downward and need to be raised and leveled during the hitch install.
7. Rotate the hitch plates against the bottom of the frame rails. Mark the holes on the bottom of the frame rails using a marker or center punch.
8.
  - A. If a hole exists in the side of the frame rail near the hitch, use a die grinder to enlarge the whole until the supplied carriage bolts and CM-SP40 spacers can be inserted into the frame rail. Leave the hitch in position and drill up through the bottom of the frame rail in the positions from Step 7. Fishwire supplied 1/2" carriage bolts and CM-SP40 spacers through the enlarged holes and out the drilled holes.
  - B. If no hole exists near the hitch, remove the hitch from the vehicle. Use a 1 1/8" hole saw to create holes in the positions marked in Step 7. Reverse fishwire the 1/2" carriage bolts and CM-SP40 spacers into position.
9. Reinstall hitch (if removed). Secure hitch with existing nuts and supplied 1/2" hex flange nuts.
10. Torque 1/2" hardware to 75 lb-ft and M12 hardware to 65 lb-ft.

**PERIODICALLY CHECK THIS RECEIVER HITCH TO ENSURE THAT ALL FASTENERS ARE TIGHT AND THAT ALL STRUCTURAL COMPONENTS ARE SOUND.**

Curt Manufacturing Inc., warrants this product to be free of defects in material and/or workmanship at the time of retail purchase by the original purchaser. If the product is found to be defective, Curt Manufacturing Inc., may repair or replace the product, at their option, when the product is returned, prepaid, with proof of purchase. Alteration to, misuse of, or improper installation of this product voids the warranty. Curt Manufacturing Inc.'s liability is limited to repair or replacement of products found to be defective, and specifically excludes liability for incidental or consequential loss or damage.

\*\*\***DO NOT EXCEED VEHICLE MANUFACTURER'S RECOMMENDED TOWING CAPACITY**\*\*\*.

#### FRONT MOUNTED ACCESSORIES

1) Do not exceed front axle Gross Weight Rating (GAWR). Consult owners manual or specification plate located on driver's door frame. Measure gross front axle weight by placing front wheels of loaded vehicle on a scale.

**WARNING:** Exceeding GAWR may overload the front axle and/or suspension. This could result in **accident, property damage and personal injury.**

- 2) Reposition front mounted license plate if obstructed.
- 3) Do not obstruct vehicle lights.
- 4) Allow free air flow into grille opening.
- 5) Rear wheel traction may be reduced. This could effect handling. Reduce speed and drive with caution.
- 6) Accessories extend front of vehicle. This may reduce approach angle. Use caution when parking and maneuvering.
- 7) Do not obstruct driver view.

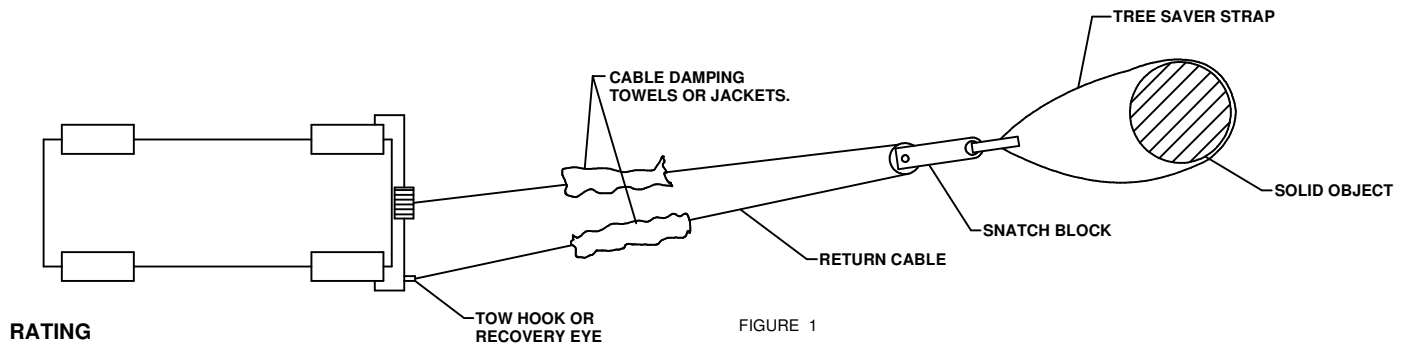
#### VEHICLE RECOVERY AND WINCHING TIPS

1) Use OEM tow hooks, recovery eyes or a clevis mount for attachment of a tow strap or winch cable.

**WARNING: NEVER** use a ball and/or ball mount as an anchor point for tow strap or winch cable. Severe personal injury or death could result.

- 2) Observe winch manufacturer's recommendations, cautions and warnings.
- 3) Attach return cable to tow hook or recovery eye when using a snatch block (See figure 1).

**CAUTION:** Do not attach return cable to winch mount. This may overload winch mount and/or front mounted receiver.

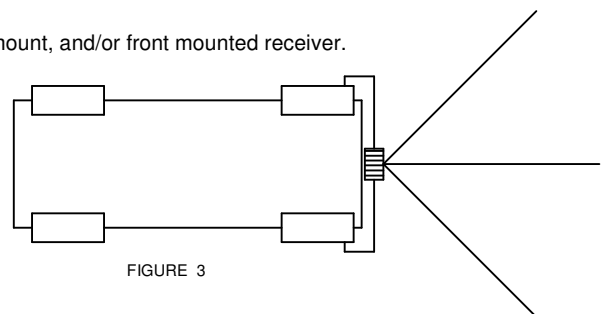
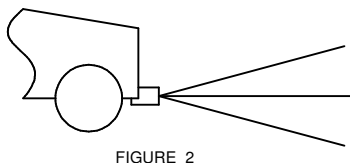


#### RATING

For **Maximum** line pull rating, winch cable must not exceed:

- 15 degree angle up or down from horizontal (See Figure 2).
- 45 degree angle left or right from straight ahead (See Figure 3).

**CAUTION:** Exceeding the maximum line pull rating may over load winch, winch mount, and/or front mounted receiver.



Curt Manufacturing Inc., warrants this product to be free of defects in material and/or workmanship at the time of retail purchase by the original purchaser. If the product is found to be defective, Curt Manufacturing Inc., may repair or replace the product, at their option, when the product is returned, prepaid, with proof of purchase. Alteration to, misuse of, or improper installation of this product voids the warranty. Curt Manufacturing Inc.'s liability is limited to repair or replacement of products found to be defective, and specifically excludes liability for incidental or consequential loss or damage.