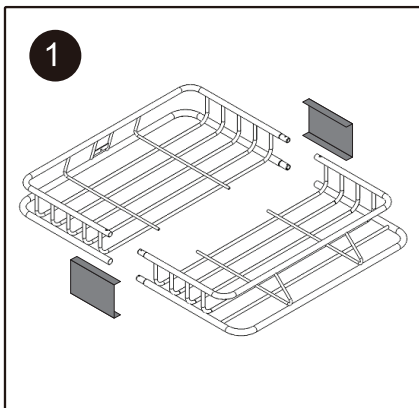
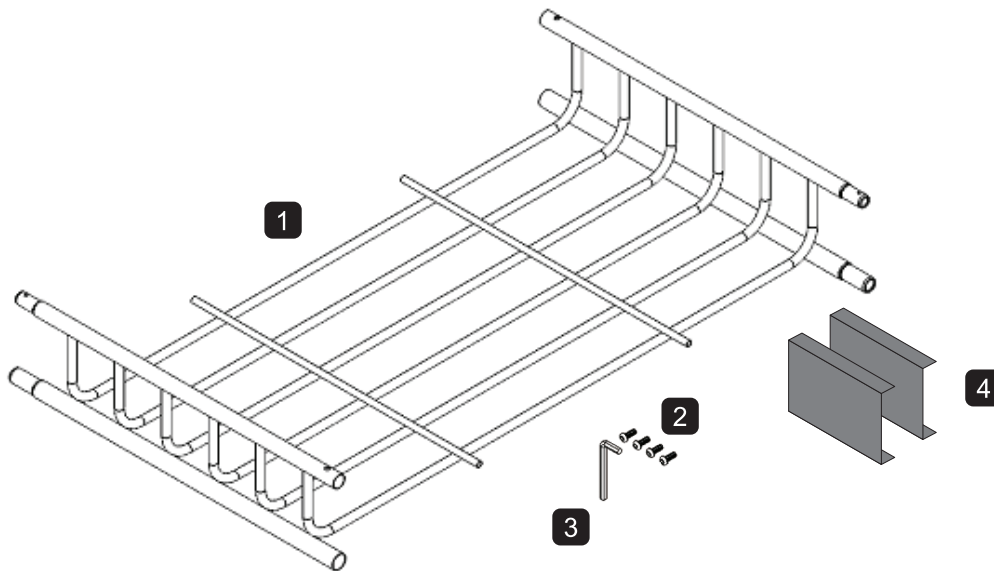


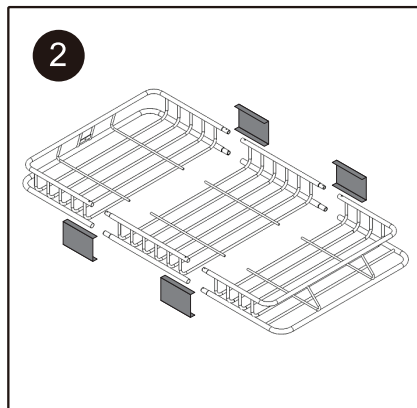


Cargo basket extension

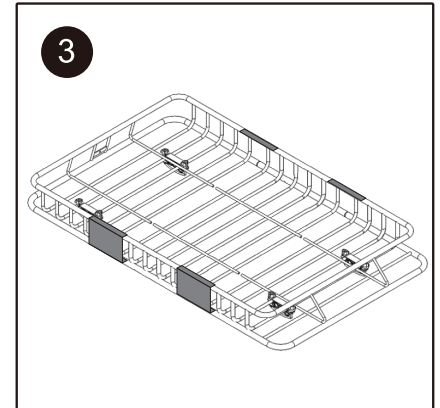
- 1 Basket extension (1)
- 2 Machine screws (4)
- 3 Wrench (1)
- 4 Small fairing brackets (2)



1 Remove protective plastic end caps. Remove the 4 machine screws and side fairing brackets from the basket and separate into two halves using the wrench provided.



2 Secure the extension into the 2 halves of the basket. Attach the side fairing brackets and secure with the machine screws provided 2.



3 Secure the roof basket to your vehicle following the instructions provided with the basket.

CAUTION

This roof basket and extension is designed to attach to a wide variety of roof cross bars. Before using the basket, ensure that the universal brackets are securely attached to your vehicle cross bars. Periodically check to ensure all knobs and screws are tight. Remove the basket when not in use.

The maximum load for this basket is 150 lbs. There must be a minimum distance of 15 inches between any two cross bars.

Obey any local laws regarding roof racks.

Looking for dependable trailer hitches and towing? Rely on CURT for quality and long-lasting products.