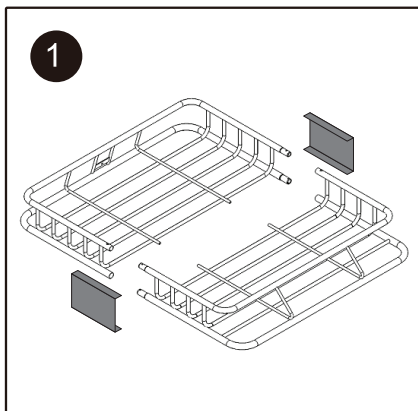
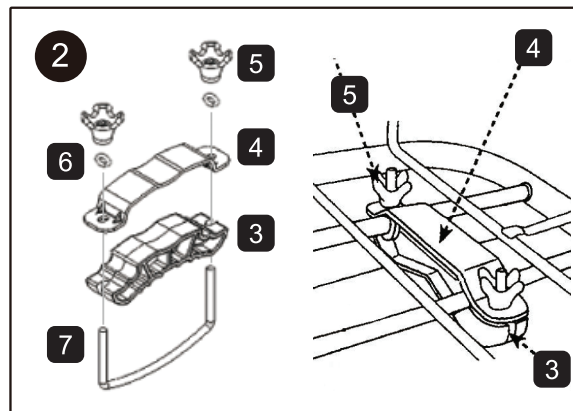


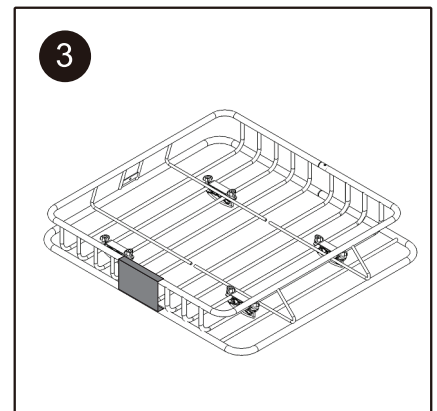
- 1 Front basket (1)
- 2 Rear basket (1)
- 3 Bracket saddle (4)
- 4 Bracket top plate (4)
- 5 Knobs (9)
- 6 Washers (8)
- 7 U bolts (4)
- 8 Machine screws (5)
- 9 Wrench (1)
- 10 Small fairing brackets (3)



Remove protective plastic end caps. Slide the front and rear basket together. Attach the side and rear small fairings as shown in diagram 1. Secure the assembly with machine screws **8**. Position basket on the roof bars of your vehicle.



Now snap the saddle **3** into the basket. The saddle must sit on the cross bar. Secure it with the bracket top plate **4**, knobs **5**, washers **6**, and U bolts **7**.



Always position the saddles away from the center for maximum support.

## CAUTION

This roof basket is designed to attach to a wide variety of roof cross bars. Before using the basket, ensure that the universal brackets are securely attached to your vehicle cross bars. Periodically check to ensure all knobs and screws are tight. Remove the basket when not in use.

The maximum load for this basket is 150 lbs. There must be a minimum distance of 15 inches between any two cross bars.

Obey any local laws regarding roof racks.

Looking for dependable trailer hitches and towing? Rely on CURT for quality and long-lasting products.