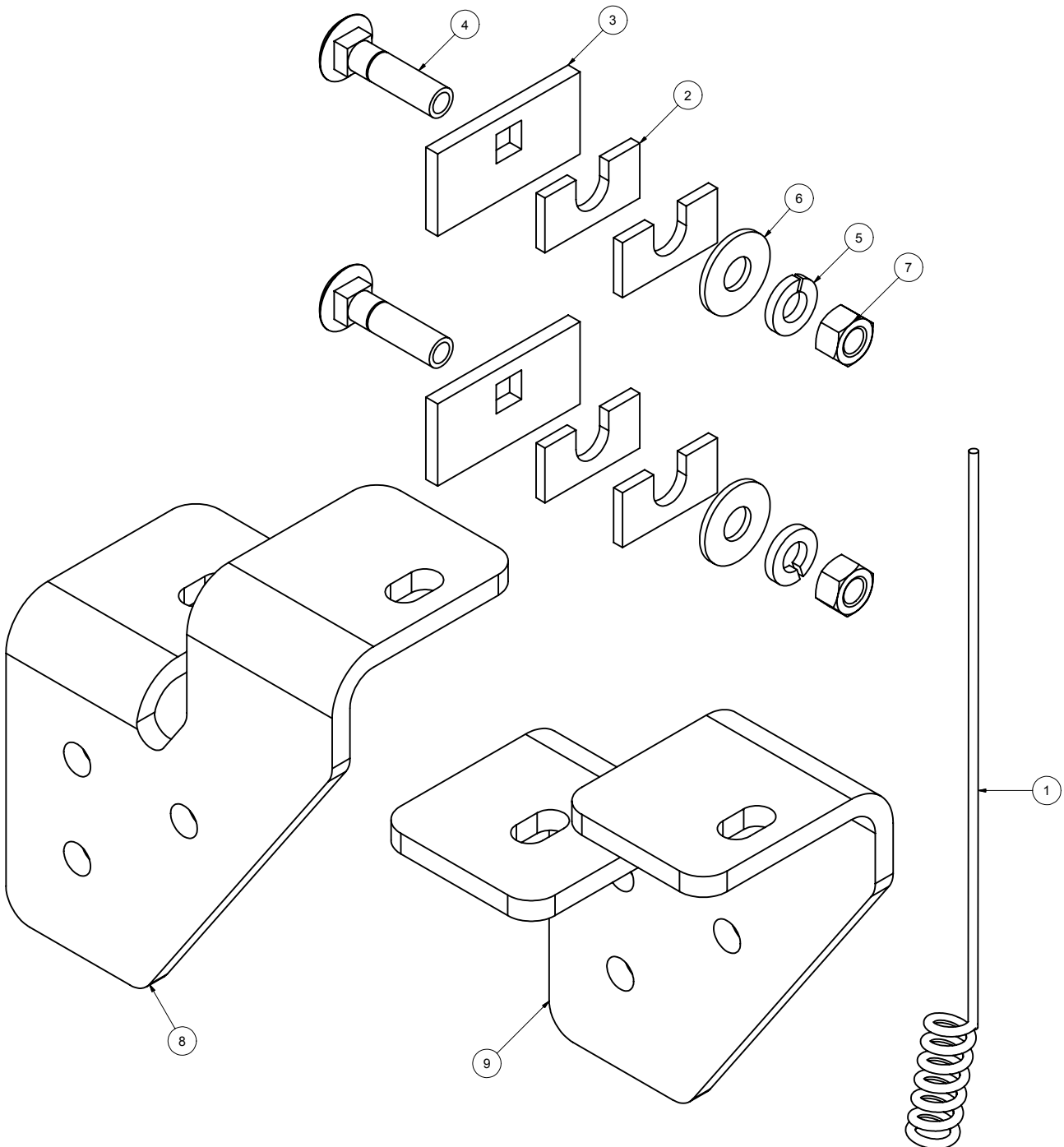


16301 DODGE '03 AND NEWER 2500 AND 3500

REFERENCE 16100 / 16200 INSTRUCTION SHEETS FOR PROPER INSTALLATION OF 16301 BRACKET KIT.

Parts List			
ITEM	QTY	PART NUMBER	DESCRIPTION
1	1	1/2"	FISHWIRE TOOL
2	4	CM-SP27	.188 x 1.00 x 2.00" U-SHAPE SPACER
3	2	CM-SP53	.250 x 1.50 x 3.00" SQUARE HOLE SPACER
4	2	1/2 - 13 x 2"	CARRIAGE BOLT
5	2	1/2"	LOCK WASHER
6	2	1/2"	WASHER
7	2	1/2-13	HEX NUT
8	1	CM-16301-DS	.375" DRIVER SIDE PLATE
9	1	CM-16301-PS	.375" PASSENGER SIDE PLATE



Curt Manufacturing Inc., warrants this product to be free of defects in material and/or workmanship at the time of retail purchase by the original purchaser. If the product is found to be defective, Curt Manufacturing Inc., may repair or replace the product, at their option, when the product is returned, prepaid, with proof of purchase. Alteration to, misuse of, or improper installation of this product voids the warranty. Curt Manufacturing Inc.'s liability is limited to repair or replacement of products found to be defective, and specifically excludes liability for incidental or consequential loss or damage.