

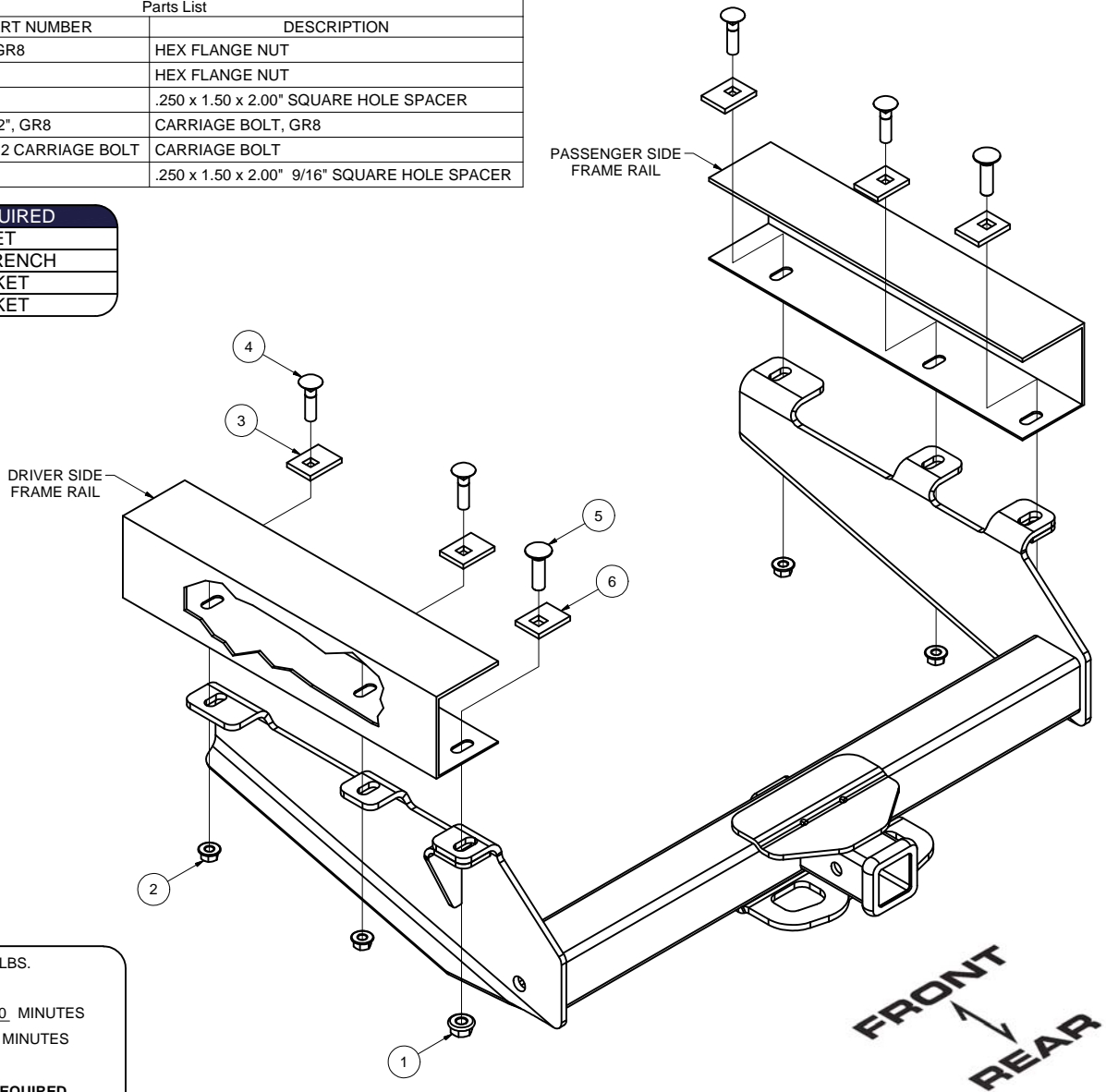
# 15319 1994-2002 DODGE RAM LONG BED WITH FACTORY BUMPER

GROSS LOAD CAPACITY WHEN USED AS A WEIGHT CARRYING HITCH: 16,000 LBS. TRAILER WEIGHT & 2,400 LBS. TONGUE WEIGHT.  
 GROSS LOAD CAPACITY WHEN USED AS A WEIGHT DISTRIBUTION HITCH: 17,000 LBS. TRAILER WEIGHT & 2,400 LBS. TONGUE WEIGHT

\*\*\*DO NOT EXCEED VEHICLE MANUFACTURER'S RECOMMENDED TOWING CAPACITY.\*\*\*

Parts List			
ITEM	QTY	PART NUMBER	DESCRIPTION
1	2	9_16-12, GR8	HEX FLANGE NUT
2	4	HFN 1213	HEX FLANGE NUT
3	4	CM-SP1	.250 x 1.50 x 2.00" SQUARE HOLE SPACER
4	4	1/2 - 13 x 2", GR8	CARRIAGE BOLT, GR8
5	2	9_16-12 x 2 CARRIAGE BOLT	CARRIAGE BOLT
6	2	CM-SP71	.250 x 1.50 x 2.00" 9/16" SQUARE HOLE SPACER

- TOOLS REQUIRED**
- RATCHET
  - TORQUE WRENCH
  - 7/8" SOCKET
  - 3/4" SOCKET



HITCH WEIGHT: 59 LBS.

INSTALL TIME

PROFESSIONAL: 20 MINUTES

NOVICE (DIY): 40 MINUTES

INSTALL NOTES:

- NO DRILLING REQUIRED

## INSTALLATION STEPS

1. Raise hitch and align rear mounting holes with 1-1/8" round holes at rear of driver and passenger side frame rails.
2. Install 9/16" carriage bolts and SP71 spacers in the rear most hole and 1/2" carriage bolts and SP1 spacers in the two forward most holes, both sides.
3. Secure hitch with hex flange nuts.
4. Torque all 1/2" hardware to 110 ft-lbs.  
Torque all 9/16" hardware to 150 ft-lbs.

PERIODICALLY CHECK THIS RECEIVER HITCH TO ENSURE THAT ALL FASTENERS ARE TIGHT AND THAT ALL STRUCTURAL COMPONENTS ARE SOUND.