

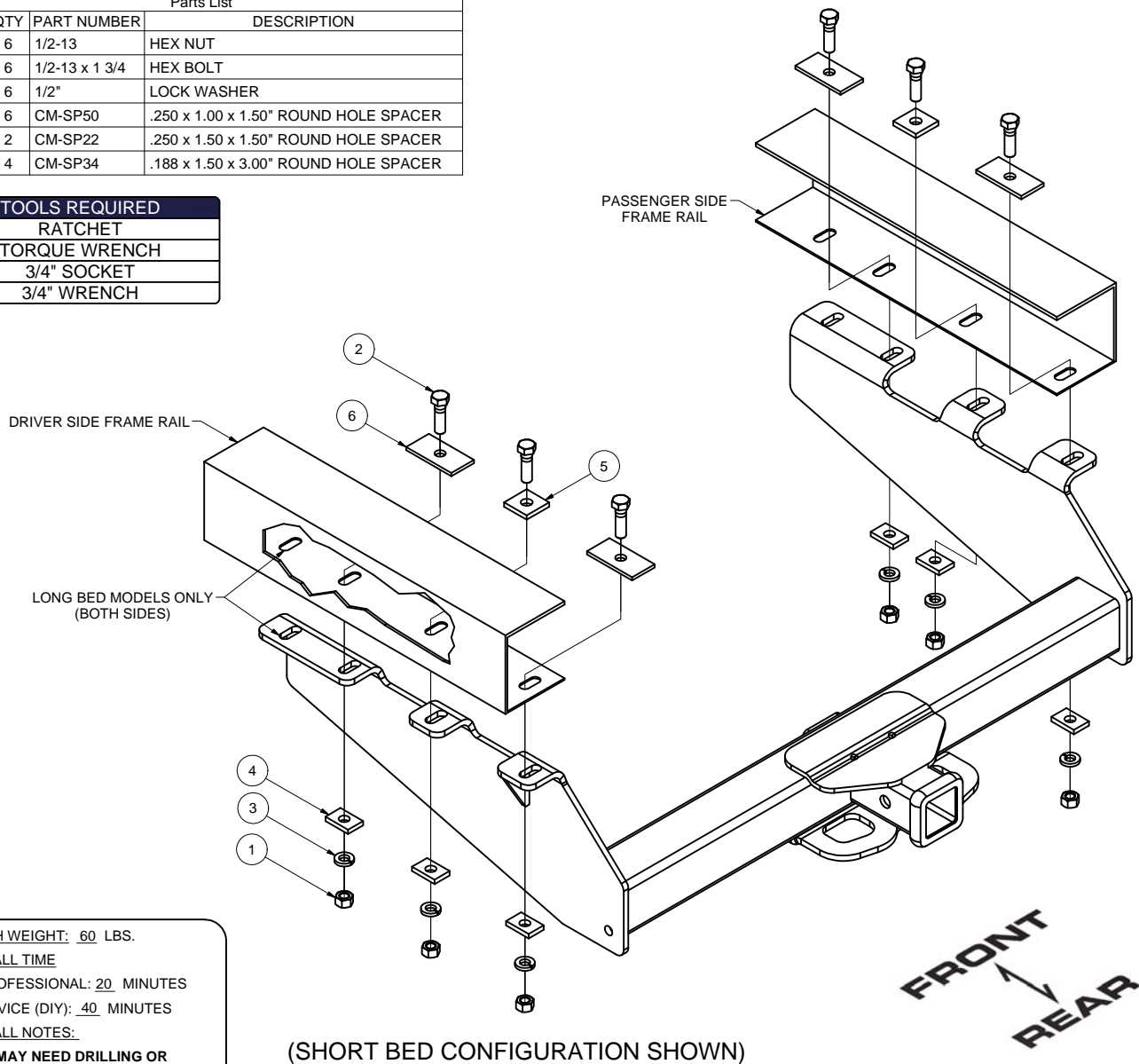
**15318****1994-1998 DODGE RAM LONG AND SHORT BED PICKUP WITH FACTORY BUMPER  
1999-2002 DODGE RAM SHORT BED PICKUP WITH FACTORY BUMPER**

WILL NOT FIT SPORT WITH DUAL EXHAUST AND 2002 1500 SERIES

**GROSS LOAD CAPACITY WHEN USED AS A WEIGHT CARRYING HITCH: 16,000 LBS. TRAILER WEIGHT & 2,400 LBS. TONGUE WEIGHT.**  
**GROSS LOAD CAPACITY WHEN USED AS A WEIGHT DISTRIBUTION HITCH: 17,000 LBS. TRAILER WEIGHT & 1,700 LBS. TONGUE WEIGHT**  
 \*\*\*DO NOT EXCEED VEHICLE MANUFACTURER'S RECOMMENDED TOWING CAPACITY.\*\*\*

Parts List			
ITEM	QTY	PART NUMBER	DESCRIPTION
1	6	1/2-13	HEX NUT
2	6	1/2-13 x 1 3/4	HEX BOLT
3	6	1/2"	LOCK WASHER
4	6	CM-SP50	.250 x 1.00 x 1.50" ROUND HOLE SPACER
5	2	CM-SP22	.250 x 1.50 x 1.50" ROUND HOLE SPACER
6	4	CM-SP34	.188 x 1.50 x 3.00" ROUND HOLE SPACER

TOOLS REQUIRED
RATCHET
TORQUE WRENCH
3/4" SOCKET
3/4" WRENCH



HITCH WEIGHT: 60 LBS.

INSTALL TIME

PROFESSIONAL: 20 MINUTES

NOVICE (DIY): 40 MINUTES

INSTALL NOTES:

- MAY NEED DRILLING OR  
HOLE ENLARGEMENT

(SHORT BED CONFIGURATION SHOWN)

**INSTALLATION STEPS**

1. Raise hitch into position. Align rear holes in side plates with 1 1/8" round holes in rear of frame. On long bed models, forward most holes will line up with holes 16" forward of rear holes in frame.
2. Install all 1/2" hardware as shown.  
**Note:** CM-SP34 spacers are used for outside holes and CM-SP22 spacers are used for middle holes.
3. Torque all 1/2" hardware to 110 lb-ft.

PERIODICALLY CHECK THIS RECEIVER HITCH TO ENSURE THAT ALL FASTENERS  
ARE TIGHT AND THAT ALL STRUCTURAL COMPONENTS ARE SOUND.

Curt Manufacturing LLC., warrants this product to be free of defects in material and/or workmanship at the time of retail purchase by the original purchaser. If the product is found to be defective, Curt Manufacturing LLC., may repair or replace the product, at their option, when the product is returned, prepaid, with proof of purchase. Alteration to, misuse of, or improper installation of this product voids the warranty. Curt Manufacturing LLC.'s liability is limited to repair or replacement of products found to be defective, and specifically excludes liability for incidental or consequential loss or damage.

Looking for dependable trailer hitches and towing? Rely on CURT for quality and long-lasting products.