

13942

1988-1998 CHEVY/GMC 1500 WITH ROLL PAN

GROSS LOAD CAPACITY WHEN USED AS A WEIGHT CARRYING HITCH: 5,000 LBS. TRAILER WEIGHT & 500 LBS. TONGUE WEIGHT.
 GROSS LOAD CAPACITY WHEN USED AS A WEIGHT DISTRIBUTION HITCH: 8,000 LBS. TRAILER WEIGHT & 800 LBS. TONGUE WEIGHT

DO NOT EXCEED VEHICLE MANUFACTURER'S RECOMMENDED TOWING CAPACITY.

Parts List			
ITEM	QTY	PART NUMBER	DESCRIPTION
1	6	1/2-13 x 1 3/4	CARRIAGE BOLT
2	4	CM-SP1	.250 x 1.50 x 2.00" SQUARE HOLE SPACER
3	2	CM-SP12	.250 x 1.00 x 2.00" SQUARE HOLE SPACER
4	1	1_4 - 20 x 3_4 CARRIAGE	CARRIAGE BOLT
5	1	1_4 - 20	NYLOCK HEX NUT
6	6	HFN 1213	HEX FLANGE NUT

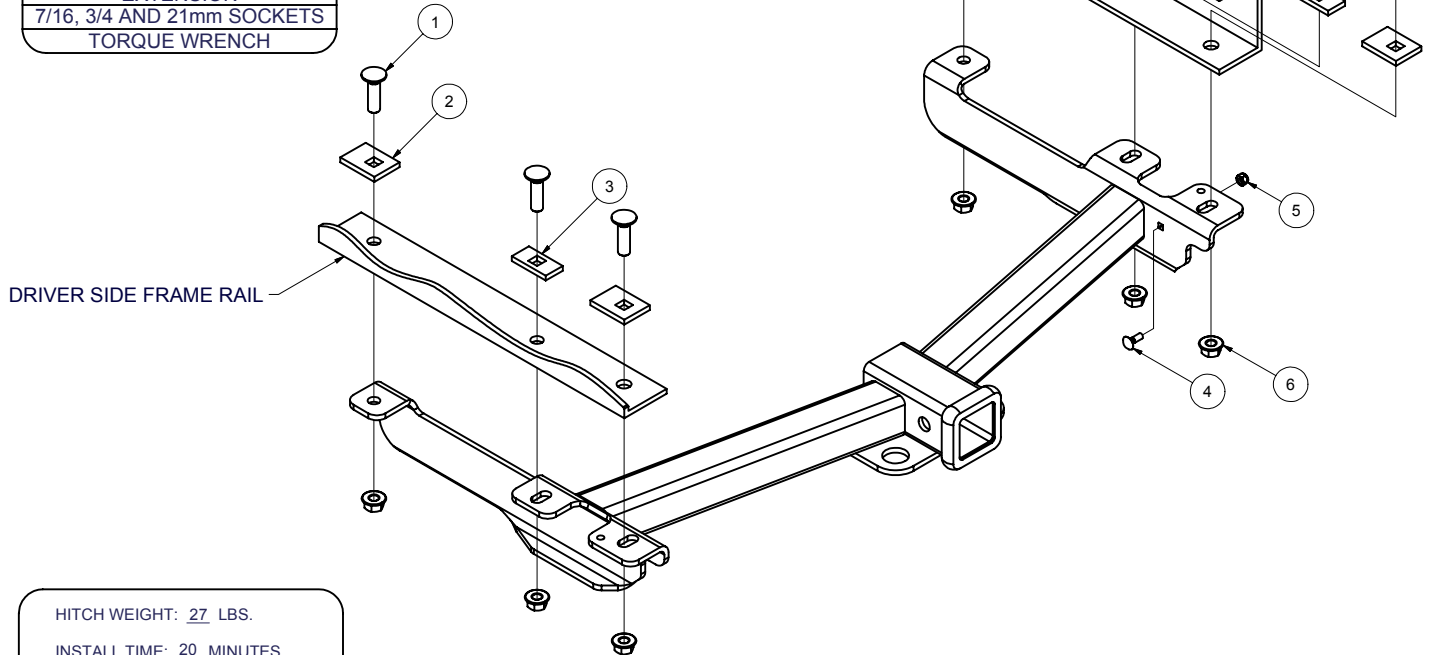
TOOLS REQUIRED

RATCHET

EXTENSION

7/16, 3/4 AND 21mm SOCKETS

TORQUE WRENCH



HITCH WEIGHT: 27 LBS.

INSTALL TIME: 20 MINUTES

INSTALL NOTES:

- ROLL PAN MODIFICATION REQ'D
- NO DRILL REQ'D

Installation Notes:

1. The roll pan requires cutting for this hitch to be installed. Obtain vehicle owner approval before beginning install.
2. Prior to installing hitch loosen or remove the spare tire (some vehicles may require the use of an aftermarket spare tire repositioner to retain the spare tire under the vehicle) and remove the ground wire that is bolted to the bottom of the driver side frame rail. (Some vehicles may require the use of an aftermarket spare tire repositioner to retain the spare tire under the vehicle; not all models will have the ground wire located here.) After installation, relocate the ground wire to the .281" square hole in the frame bracket using the 1/4-20 carriage bolt and the nylon lock nut provided.

Installation Steps:

1. Loosely fasten the hitch to the frame as shown.
2. Torque all 1/2-13 fasteners to 75 lb. ft.; Torque all 1/4-20 fasteners to 8 lb. ft.
3. For drawbar installation cut the roll pan in the license plate area to provide access.

Note: The license plate must be repositioned when the draw bar is installed.

PERIODICALLY CHECK THIS RECEIVER HITCH TO ENSURE THAT ALL FASTENERS ARE TIGHT AND THAT ALL STRUCTURAL COMPONENTS ARE SOUND.

Curt Manufacturing Inc., warrants this product to be free of defects in material and/or workmanship at the time of retail purchase by the original purchaser. If the product is found to be defective, Curt Manufacturing Inc., may repair or replace the product, at their option, when the product is returned, prepaid, with proof of purchase. Alteration to, misuse of, or improper installation of this product voids the warranty. Curt Manufacturing Inc.'s liability is limited to repair or replacement of products found to be defective, and specifically excludes liability for incidental or consequential loss or damage.

Looking for dependable trailer hitches and towing? Rely on CURT for quality and long-lasting products.