

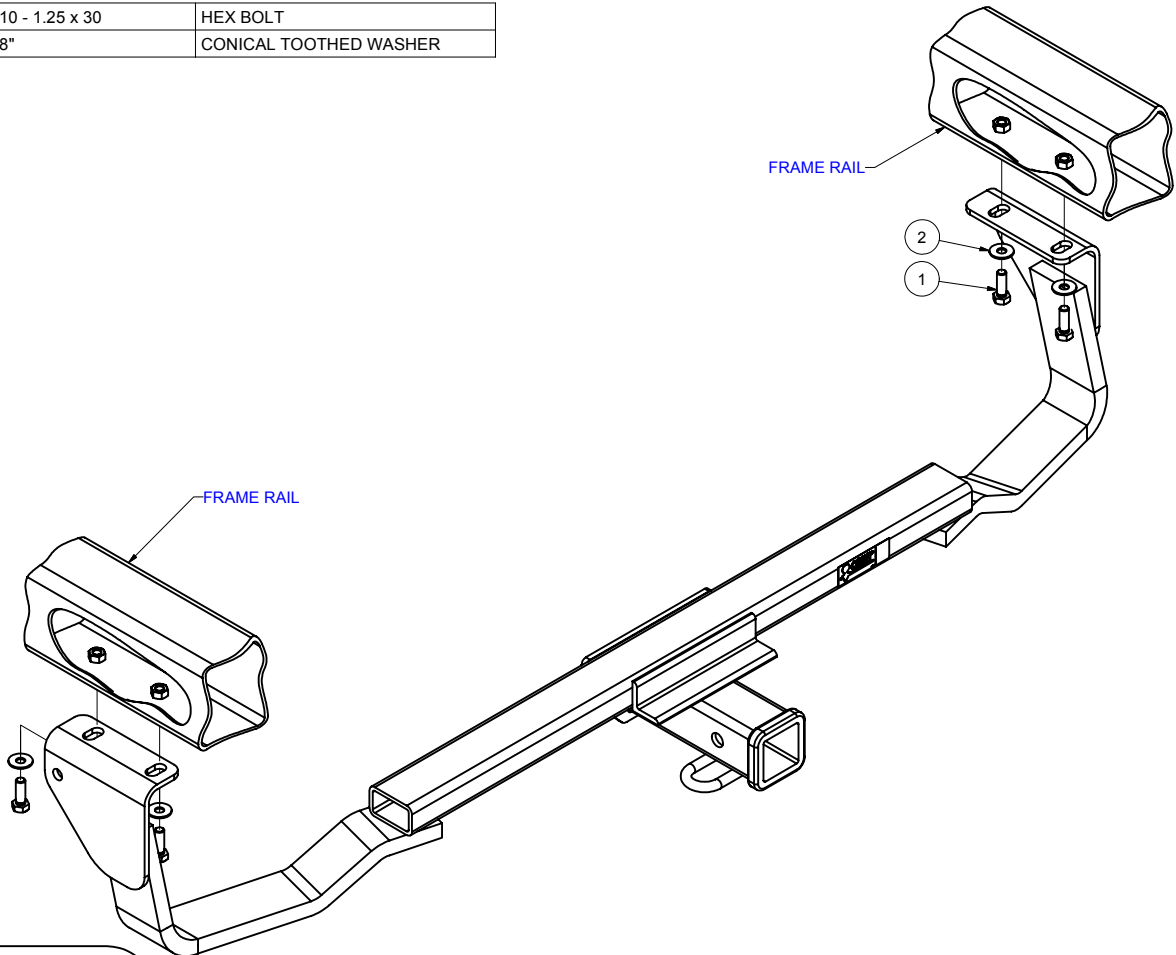


13545

HYUNDAI VERACRUZ

GROSS LOAD CAPACITY WHEN USED AS A WEIGHT CARRYING HITCH: 3,500 LBS. TRAILER WEIGHT & 350 LBS. TONGUE WEIGHT.
*****DO NOT EXCEED VEHICLE MANUFACTURER'S RECOMMENDED TOWING CAPACITY.*****

1	4	M10 - 1.25 x 30	HEX BOLT
2	4	3/8"	CONICAL TOOTHED WASHER



HITCH WEIGHT: 46 LBS.
INSTALL TIME: 60 MINUTES
INSTALL NOTES:
NO DRILL

INSTALLATION STEPS

- 1) Lower exhaust on vehicle.
- 2) Remove tow loop on passenger side of vehicle by first removing heat shield. After tow loop is removed, return heat shield to original position.
- 3) Raise hitch into position and align holes in hitch with holes in frame rails.
- 4) Fasten hitch to vehicle using hardware provided.
- 5) Torque all M10 x 1.25 hardware to 36 lb-ft.
- 6) Return exhaust to original position.

PERIODICALLY CHECK THIS RECEIVER HITCH TO ENSURE THAT ALL FASTENERS ARE TIGHT AND THAT ALL STRUCTURAL COMPONENTS ARE SOUND.

Curt Manufacturing Inc., warrants this product to be free of defects in material and/or workmanship at the time of retail purchase by the original purchaser. If the product is found to be defective, Curt Manufacturing Inc., may repair or replace the product, at their option, when the product is returned, prepaid, with proof of purchase. Alteration to, misuse of, or improper installation of this product voids the warranty. Curt Manufacturing Inc.'s liability is limited to repair or replacement of products found to be defective, and specifically excludes liability for incidental or consequential loss or damage.