

13328

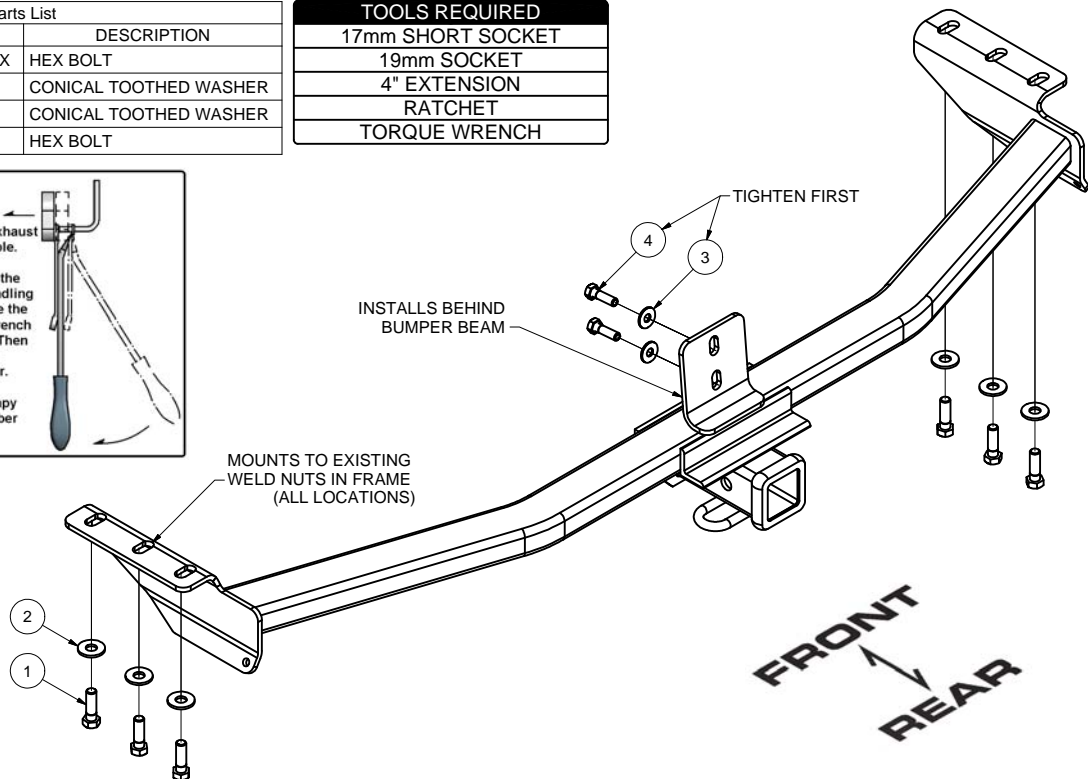
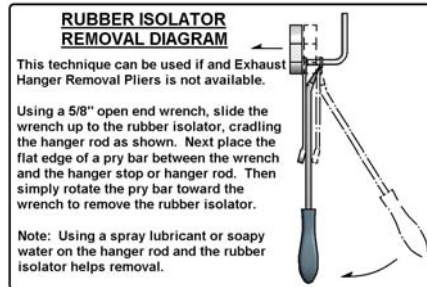
2001-2006 ACURA MDX / HONDA PILOT

GROSS LOAD CAPACITY WHEN USED AS A WEIGHT CARRYING HITCH: 3,500 LBS. TRAILER WEIGHT & 350 LBS. TONGUE WEIGHT.
 GROSS LOAD CAPACITY WHEN USED AS A WEIGHT DISTRIBUTION HITCH: 5,000 LBS. TRAILER WEIGHT & 500 LBS. TONGUE WEIGHT

DO NOT EXCEED VEHICLE MANUFACTURER'S RECOMMENDED TOWING CAPACITY.

Parts List			
ITEM	QTY	PART NUMBER	DESCRIPTION
1	6	M12 - 1.25 x 40 HEX	HEX BOLT
2	6	1/2"	CONICAL TOOTHED WASHER
3	2	3/8"	CONICAL TOOTHED WASHER
4	2	M10-1.25 x 35	HEX BOLT

TOOLS REQUIRED
17mm SHORT SOCKET
19mm SOCKET
4" EXTENSION
RATCHET
TORQUE WRENCH



HITCH WEIGHT: 36 LBS.

INSTALL TIME

PROFESSIONAL: 30 MINUTES

NOVICE (DIY): 60 MINUTES

INSTALL NOTES:

-RUBBER ISOLATOR REMOVAL
REQUIRED ON SOME MODELS

NOTE: Spare tire fascia trimming may be required on some models.

INSTALLATION STEPS

NOTE - FOR '04 AND LATER MDX MODELS:

Temporarily remove spare tire, 4 rubber exhaust isolators, and moon-shaped spoiler with center mounting bracket, remember to support exhaust. Bend center hitch bracket as needed.

1. Remove the driver side tow hook and return it to the vehicle owner.
2. Raise hitch into position by sliding passenger side plate between the exhaust pipe and the floor pan of vehicle.
3. Secure hitch with M12 bolts and conical toothed washers, finger tight.
4. Install M10 bolts and conical toothed washers as shown, torque to 42 ft lbs.
5. Torque all M12 fasteners to 68 lb-ft.
6. Re-install spare tire and rubber exhaust isolators if removed.

PERIODICALLY CHECK THIS RECEIVER HITCH TO ENSURE THAT ALL FASTENERS
ARE TIGHT AND THAT ALL STRUCTURAL COMPONENTS ARE SOUND.

Curt Manufacturing Inc., warrants this product to be free of defects in material and/or workmanship at the time of retail purchase by the original purchaser. If the product is found to be defective, Curt Manufacturing Inc., may repair or replace the product, at their option, when the product is returned, prepaid, with proof of purchase. Alteration to, misuse of, or improper installation of this product voids the warranty. Curt Manufacturing Inc.'s liability is limited to repair or replacement of products found to be defective, and specifically excludes liability for incidental or consequential loss or damage.