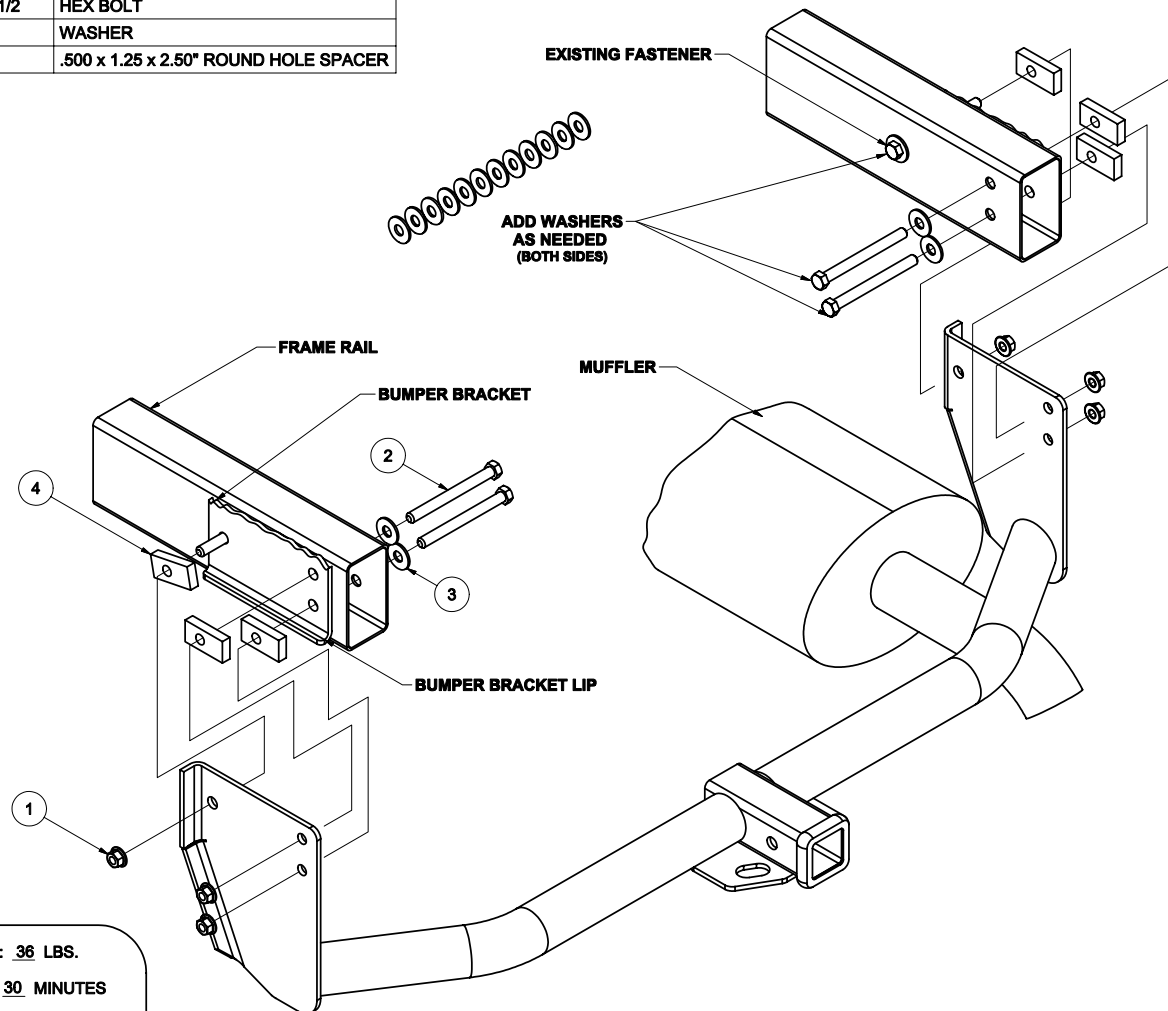


GROSS LOAD CAPACITY WHEN USED AS A WEIGHT CARRYING HITCH: 6000 LBS. TRAILER WEIGHT & 600 LBS. TONGUE WEIGHT.  
 GROSS LOAD CAPACITY WHEN USED AS A WEIGHT DISTRIBUTION HITCH: 9000 LBS. TRAILER WEIGHT & 900 LBS. TONGUE WEIGHT

**\*\*\*DO NOT EXCEED VEHICLE MANUFACTURER'S RECOMMENDED TOWING CAPACITY.\*\*\***

Parts List			
ITEM	QTY	PART NUMBER	DESCRIPTION
1	6	HFN 1213	HEX FLANGE NUT
2	4	1/2-13 x 5 1/2	HEX BOLT
3	16	1/2"	WASHER
4	6	CM-SP52	.500 x 1.25 x 2.50" ROUND HOLE SPACER



HITCH WEIGHT: 36 LBS.  
 INSTALL TIME: 30 MINUTES  
 INSTALL NOTES:  
 -NO DRILLING REQUIRED

## INSTALLATION STEPS

- 1) Remove three bumper bracket nuts each side. Remove two rear most bolts each side.
- 2) Install supplied 1/2" bolts in locations where bolts were removed. Hang 1/2" thick spacers from each bolt leaving flush with lip on bumper bracket.
- 3) Raise hitch into position over tail pipe. Attach with existing forward most bolts and fasten with existing nuts. Fasten remaining bolts with 1/2" flange nuts.
- 4) Torque all 1/2" fasteners to 75 lb.-ft.

**PERIODICALLY CHECK THIS RECEIVER HITCH TO ENSURE THAT ALL FASTENERS ARE TIGHT AND THAT ALL STRUCTURAL COMPONENTS ARE SOUND.**

Curt Manufacturing Inc., warrants this product to be free of defects in material and/or workmanship at the time of retail purchase by the original purchaser. If the product is found to be defective, Curt Manufacturing Inc., may repair or replace the product, at their option, when the product is returned, prepaid, with proof of purchase. Alteration to, misuse of, or improper installation of this product voids the warranty. Curt Manufacturing Inc.'s liability is limited to repair or replacement of products found to be defective, and specifically excludes liability for incidental or consequential loss or damage.