

13235

98-02 HONDA PASSPORT W/ DOOR MOUNTED SPARE TIRE
98-00 ISUZU AMIGO89-94 ISUZU AMIGO (WILL NOT FIT 3.2L)
98-04 ISUZU RODEO W/ DOOR MOUNTED SPARE

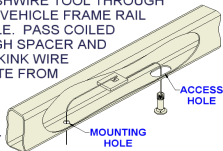
GROSS LOAD CAPACITY WHEN USED AS A WEIGHT CARRYING HITCH: 4,000 LBS. TRAILER WEIGHT & 400 LBS. TONGUE WEIGHT.
GROSS LOAD CAPACITY WHEN USED AS A WEIGHT DISTRIBUTION HITCH: 6,000 LBS. TRAILER WEIGHT & 600 LBS. TONGUE WEIGHT

DO NOT EXCEED VEHICLE MANUFACTURER'S RECOMMENDED TOWING CAPACITY.

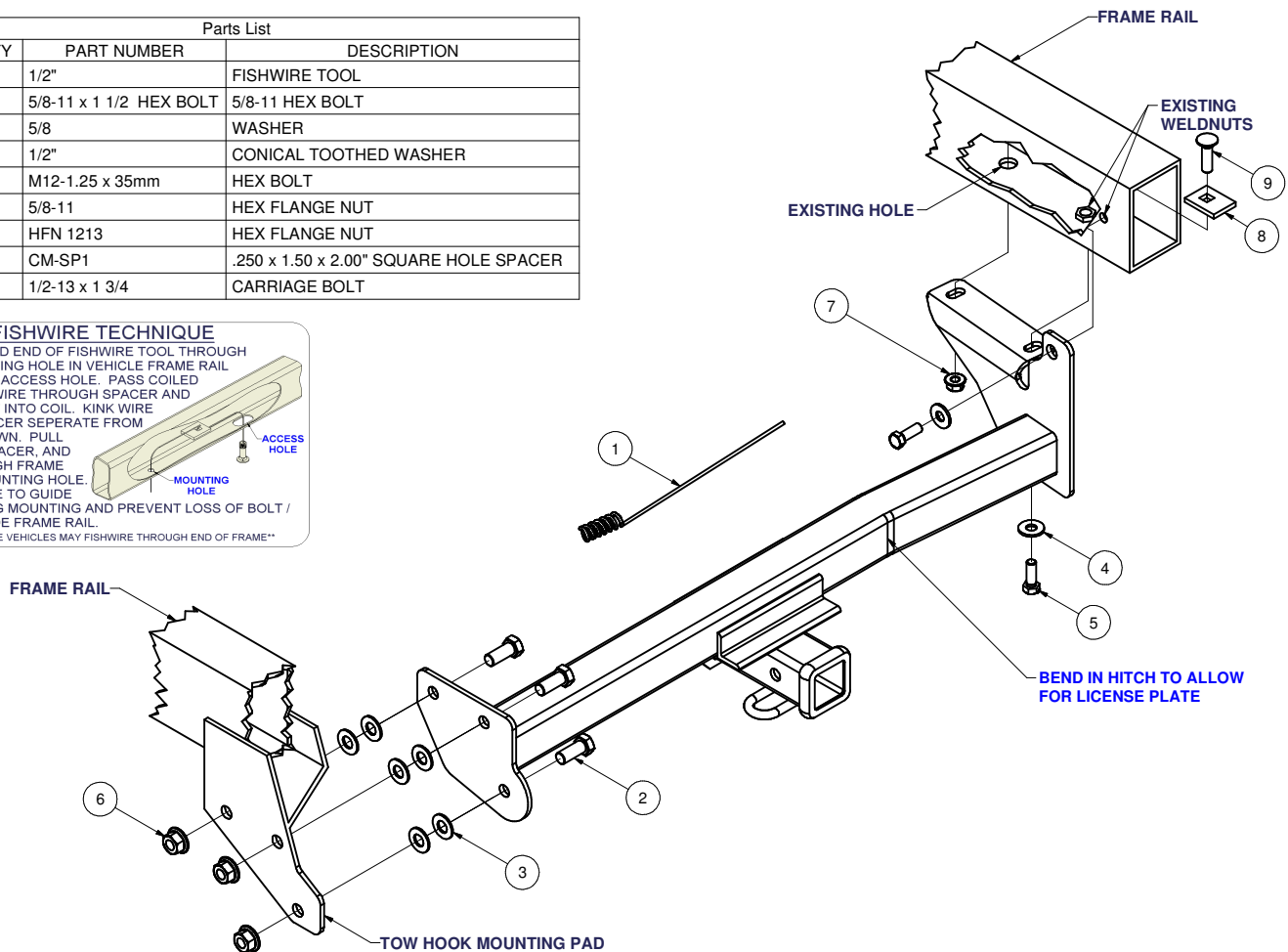
Parts List			
ITEM	QTY	PART NUMBER	DESCRIPTION
1	1	1/2"	FISHWIRE TOOL
2	3	5/8-11 x 1 1/2 HEX BOLT	5/8-11 HEX BOLT
3	6	5/8	WASHER
4	2	1/2"	CONICAL TOOTHED WASHER
5	2	M12-1.25 x 35mm	HEX BOLT
6	3	5/8-11	HEX FLANGE NUT
7	1	HFN 1213	HEX FLANGE NUT
8	1	CM-SP1	.250 x 1.50 x 2.00" SQUARE HOLE SPACER
9	1	1/2-13 x 1 3/4	CARRIAGE BOLT

FISHWIRE TECHNIQUE

INSERT COILED END OF FISHWIRE TOOL THROUGH HITCH MOUNTING HOLE IN VEHICLE FRAME RAIL AND OUT THE ACCESS HOLE. PASS COILED END OF FISHWIRE THROUGH SPACER AND THREAD BOLT INTO COIL. KINK WIRE TO KEEP SPACER SEPARATE FROM BOLT AS SHOWN. PULL FISHWIRE, SPACER, AND BOLT THROUGH FRAME AND OUT MOUNTING HOLE. USE FISHWIRE TO GUIDE HITCH DURING MOUNTING AND PREVENT LOSS OF BOLT / SPACER INSIDE FRAME RAIL.



NOTE: SOME VEHICLES MAY FISHWIRE THROUGH END OF FRAME



HITCH WEIGHT: 40 LBS.
INSTALL TIME: 34 MINUTES
INSTALL NOTES:
- NO DRILLING REQUIRED
- FISHWIRE HARDWARE

INSTALLATION STEPS

- 1) Position hitch on the vehicle as shown, align holes in hitch with existing weldnuts in vehicle frame (passenger side) and slots in tow hook mounting pad (driver side). Loosely install hex bolts as shown.
- 2) Fishwire carriage bolt and spacer through end of frame on passenger side and install as shown.
- 3) Tighten fasteners on the driver side and fastener on side of frame on passenger side first. Tighten fasteners on bottom of frame on passenger side last.
- 4) Use (2) 5/8" flat washers for spacing between the hitch and tow hook mounting pad on the driver side.
- 5) Torque M12 fasteners to 60 lb-ft, 1/2" fasteners to 75 lb-ft, and 5/8" fasteners to 150 lb-ft.

PERIODICALLY CHECK THIS RECEIVER HITCH TO ENSURE THAT ALL FASTENERS ARE TIGHT AND THAT ALL STRUCTURAL COMPONENTS ARE SOUND.

Curt Manufacturing Inc., warrants this product to be free of defects in material and/or workmanship at the time of retail purchase by the original purchaser. If the product is found to be defective, Curt Manufacturing Inc., may repair or replace the product, at their option, when the product is returned, prepaid, with proof of purchase. Alteration to, misuse of, or improper installation of this product voids the warranty. Curt Manufacturing Inc.'s liability is limited to repair or replacement of products found to be defective, and specifically excludes liability for incidental or consequential loss or damage.