



Safety glasses should be worn at all times while installing this product.

YEARS: 2012-PRESENT

MAKE: HONDA

MODEL: CR-V

STYLE: SUV








WARNING: NEVER EXCEED YOUR VEHICLE MANUFACTURER'S RECOMMENDED TOWING CAPACITY

WEIGHT CARRYING:
 TRAILER WEIGHT: 3,500 LBS.
 TONGUE WEIGHT: 350 LBS.

INSTALLATION TIME: 30 MIN.

THE INSTALL TIME LISTED IS FOR PROFESSIONAL INSTALLERS. IF YOU ARE HESITANT TO UNDERTAKE THIS TASK ON YOUR OWN, CONTACT AN AUTHORIZED CURT INSTALLER FOR ADDITIONAL ASSISTANCE.



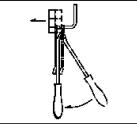
INSTALLATION REQUIRES:

 RATCHET	 TORQUE WRENCH	 9" SOCKET EXTENSION
 10mm 17mm 11/16" SOCKET	 SCREW DRIVER	 ROTARY TOOL
 SAFETY GLASSES		

INSTALLATION TIPS:

- BEFORE YOU BEGIN INSTALLATION, READ ALL INSTRUCTIONS THOROUGHLY.
- TO EASE INSTALLATION, 2 PEOPLE MAY BE REQUIRED.
- USING PROPER TOOLS WILL GREATLY IMPROVE THE QUALITY OF THE INSTALL AND REDUCE THE TIME REQUIRED.

LEVEL OF DIFFICULTY: MODERATE

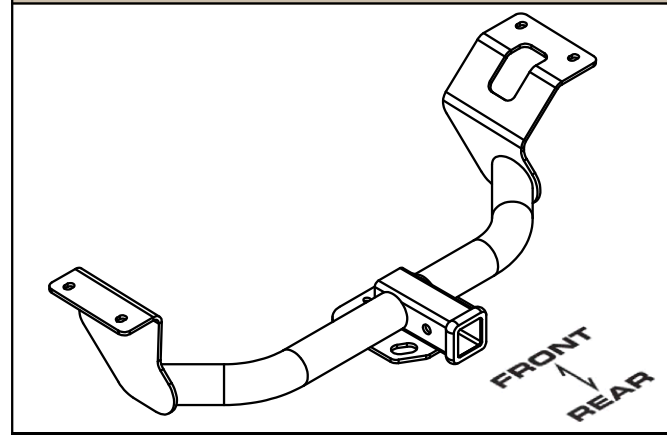
EASY	MODERATE	CHALLENGING
	- NO DRILLING REQUIRED	
	- UNDERBODY PANEL TRIMMING REQUIRED	
	- LOWER EXHAUST	

VEHICLE PHOTO:



REPRESENTATIVE PHOTO

HITCH ILLUSTRATION:



MAKE SURE YOUR HITCH MATCHES

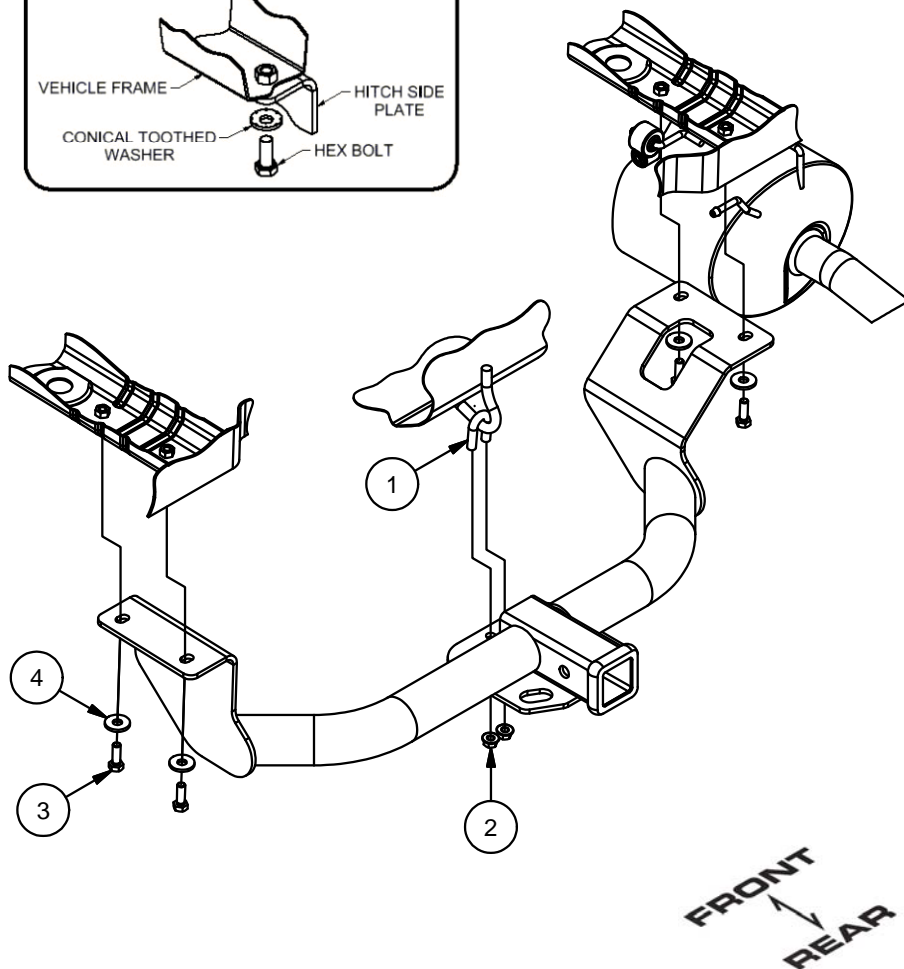
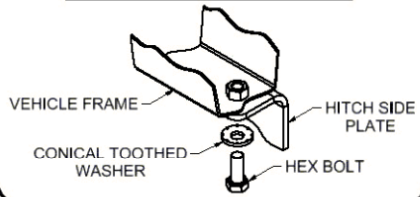
PERIODICALLY CHECK THIS RECEIVER HITCH TO ENSURE ALL FASTENERS ARE TIGHT AND ALL STRUCTURAL COMPONENTS ARE SOUND

CURT Manufacturing LLC. warrants this product to be free of defects in material and/or workmanship at the time of retail purchase by the original purchaser. If the product is found to be defective, Curt Manufacturing LLC. may repair or replace the product at their option, when the product is returned, prepaid, with proof of purchase. Alteration to, misuse of, or improper installation of this product voids the warranty. Curt Manufacturing LLC.'s liability is limited to repair or replacement of products found to be defective, and specifically excludes liability for incidental or consequential loss or damage.

INSTALLATION WALKTHROUGH:

Parts List			
ITEM	QTY	PART NUMBER	DESCRIPTION
1	1	7_16 - 14 x 1.75" x 1.00" C-C	U-BOLT
2	2	7/16-14	HEX FLANGE NUT
3	4	M10 - 1.25 x 30	HEX BOLT
4	4	7/16"	CONICAL TOOTHED WASHER

CONICAL TOOTHED WASHER ORIENTATION DIAGRAM



1. Remove (10) fasteners and lower underbody panel.



2. Lower exhaust by removing (2) rubber isolators from the hangers attached to the exhaust.

RUBBER ISOLATOR REMOVAL DIAGRAM

This technique can be used if an Exhaust Hanger Removal Pliers is not available.

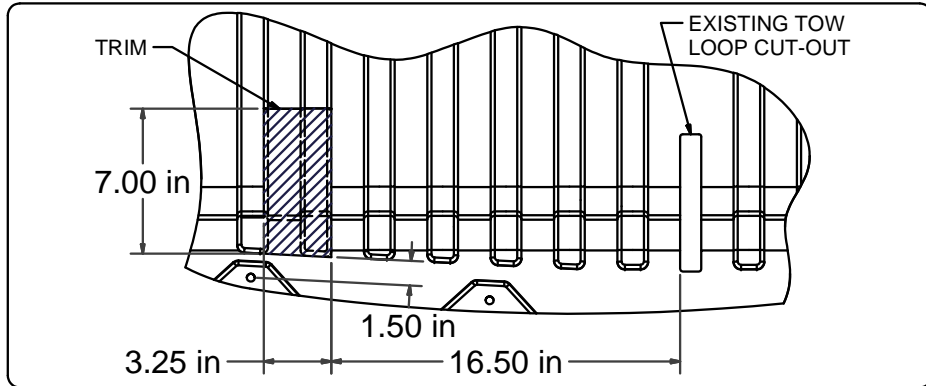
Using a 5/8" open end wrench, slide the wrench up to the rubber isolator, cradling the hanger rod as shown. Next place the flat edge of a pry bar between the wrench and the hanger stop or hanger rod. Then simply rotate the pry bar toward the wrench to remove the rubber isolator.

Note: Using a spray lubricant or soapy water on the hanger rod and the rubber isolator helps removal.

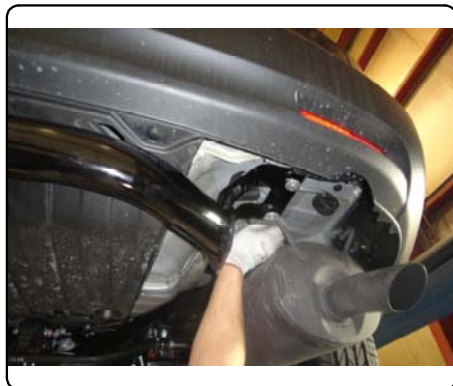
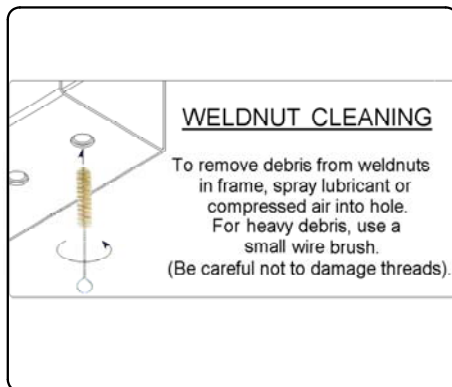


INSTALLATION WALKTHROUGH:

3. Mark and trim underbody panel. Reattach underbody panel using fasteners removed in Step (1). **Note:** Dimensions are approximate, confirm fit prior to trimming. Use ribs of the underbody panel as cutting guides.



4. Insert 7/16" U-bolt through tow hook, as shown. Raise hitch into position and secure using 7/16" flange nuts to the U-bolt and 10mm bolts with 7/16" conical toothed washers to the weldnuts in the frame rails.



5. Torque all 7/16" hardware to 50 ft-lbs.
Torque all 10mm hardware to 40 ft-lbs.



6. Raise exhaust back into position.



13119

HONDA CR-V

GROSS LOAD CAPACITY WHEN USED AS A WEIGHT CARRYING HITCH: 3,500 LBS. TRAILER WEIGHT & 350 LBS. TONGUE WEIGHT.

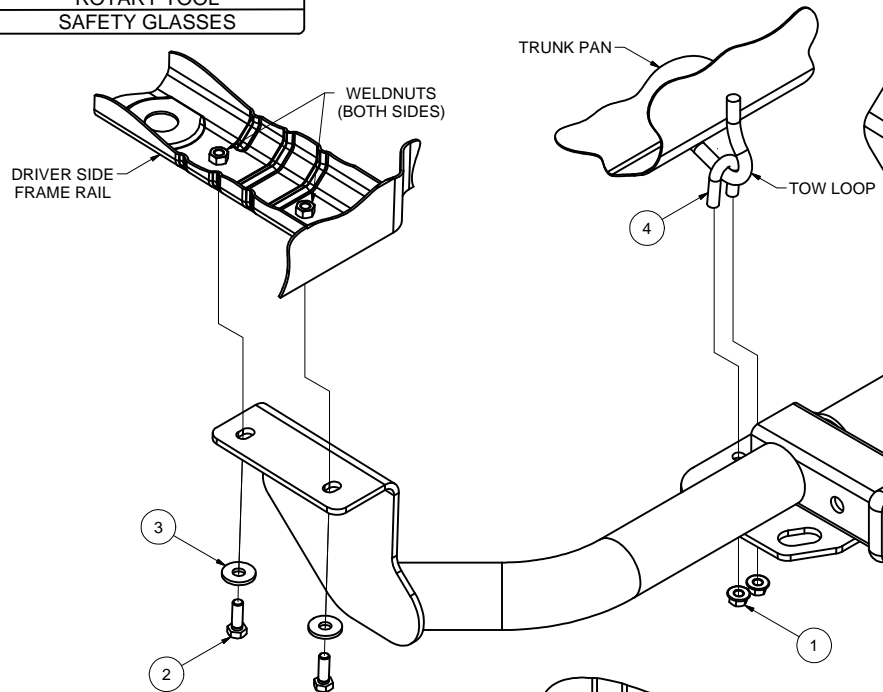
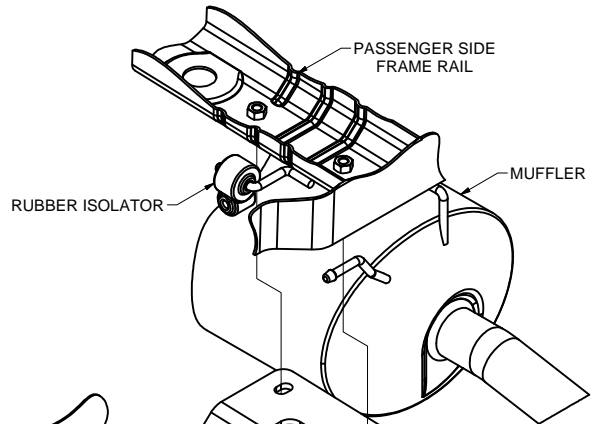
DO NOT EXCEED VEHICLE MANUFACTURER'S RECOMMENDED TOWING CAPACITY.

WARNING: ALL NON-TRAILER LOADS APPLIED TO THIS PRODUCT MUST BE SUPPORTED BY 18050 STABILIZING STRAPS.

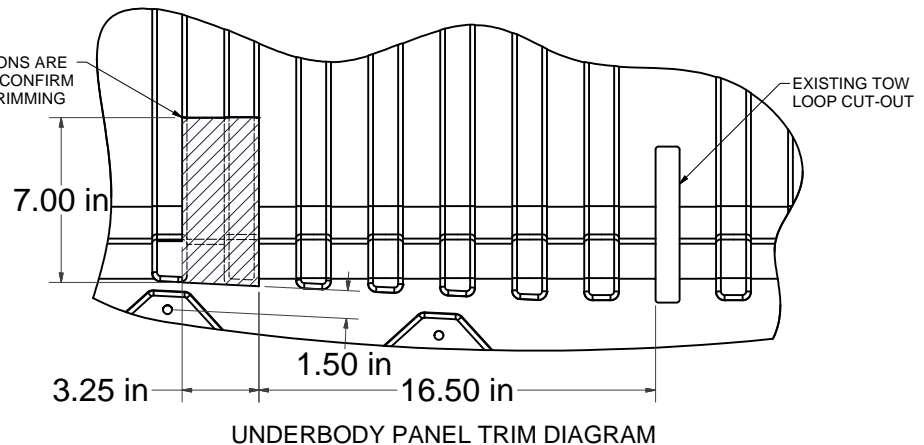
** FAILURE TO PROPERLY SUPPORT NON-TRAILER LOADS WILL VOID PRODUCT WARRANTY**

Parts List			
ITEM	QTY	PART NUMBER	DESCRIPTION
1	2	7/16-14	HEX FLANGE NUT
2	4	M10 - 1.25 x 30	HEX BOLT
3	4	7/16"	CONICAL TOOTHED WASHER
4	1	7_16 - 14 x 1.75" x 1.00" C-C	U-BOLT

TOOLS REQUIRED
RACHET
TORQUE WRENCH
9" EXTENSION
10mm SOCKET
17mm SOCKET
11/16" SOCKET
SCREW DRIVER
ROTARY TOOL
SAFETY GLASSES



NOTE: DIMENSIONS ARE APPROXIMATE, CONFIRM FIT PRIOR TO TRIMMING



HITCH WEIGHT: 30 LBS.
INSTALL TIME
PROFESSIONAL: 30 MINUTES
NOVICE (DIY): 60 MINUTES
INSTALL NOTES:
- NO DRILLING REQUIRED
- UNDERBODY PANEL TRIMMING REQUIRED
- LOWER EXHAUST

PERIODICALLY CHECK THIS RECEIVER HITCH TO ENSURE THAT ALL FASTENERS ARE TIGHT AND THAT ALL STRUCTURAL COMPONENTS ARE SOUND.

Curt Manufacturing LLC., warrants this product to be free of defects in material and/or workmanship at the time of retail purchase by the original purchaser. If the product is found to be defective, Curt Manufacturing LLC., may repair or replace the product, at their option, when the product is returned, prepaid, with proof of purchase. Alteration to, misuse of, or improper installation of this product voids the warranty. Curt Manufacturing LLC.'s liability is limited to repair or replacement of products found to be defective, and specifically excludes liability for incidental or consequential loss or damage.

13119

HONDA CR-V

GROSS LOAD CAPACITY WHEN USED AS A WEIGHT CARRYING HITCH: 3,500 LBS. TRAILER WEIGHT & 350 LBS. TONGUE WEIGHT.

DO NOT EXCEED VEHICLE MANUFACTURER'S RECOMMENDED TOWING CAPACITY.

WARNING: ALL NON-TRAILER LOADS APPLIED TO THIS PRODUCT MUST BE SUPPORTED BY 18050 STABILIZING STRAPS.

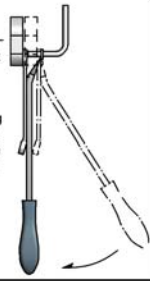
** FAILURE TO PROPERLY SUPPORT NON-TRAILER LOADS WILL VOID PRODUCT WARRANTY**

RUBBER ISOLATOR REMOVAL DIAGRAM

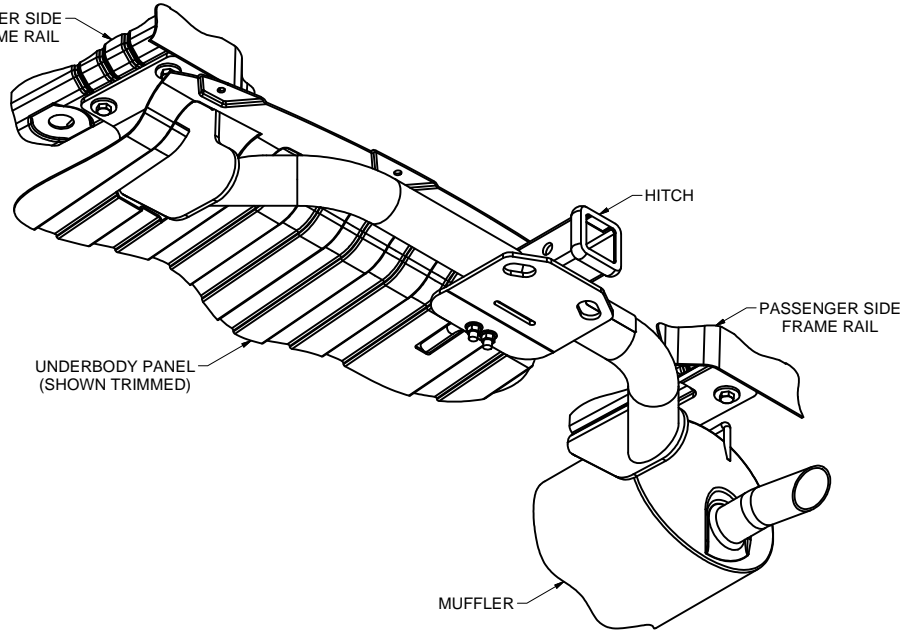
This technique can be used if an Exhaust Hanger Removal Pliers is not available.

Using a 5/8" open end wrench, slide the wrench up to the rubber isolator, cradling the hanger rod as shown. Next place the flat edge of a pry bar between the wrench and the hanger stop or hanger rod. Then simply rotate the pry bar toward the wrench to remove the rubber isolator.

Note: Using a spray lubricant or soapy water on the hanger rod and the rubber isolator helps removal.

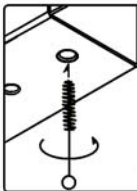


DRIVER SIDE
FRAME RAIL



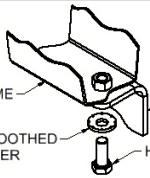
WELDNUT CLEANING

To remove debris from weldnuts in frame, spray lubricant or compressed air into hole. For heavy debris, use a small wire brush. (Be careful not to damage threads).



CONICAL TOOTHED WASHER ORIENTATION DIAGRAM

VEHICLE FRAME
CONICAL TOOTHED WASHER
HITCH SIDE PLATE
HEX BOLT



INSTALLED HITCH

INSTALLATION STEPS

1. Remove (10) fasteners and lower underbody panel.
2. Lower exhaust by removing (2) rubber isolators from the hangers attached to the exhaust. (See RUBBER ISOLATOR REMOVAL DIAGRAM)
3. Mark and trim underbody panel. Reattach underbody panel using fasteners removed in Step (1). **Note:** Dimensions are approximate, confirm fit prior to trimming. Use ribs of the underbody panel as cutting guides. (See Underbody panel trim diagram)
4. Insert 7/16" U-bolt through tow hook, as shown.
5. Raise hitch into position and secure using 7/16" flange nuts to the U-bolt and 10mm bolts with 7/16" conical toothed washers to the weldnuts in the frame rails. (See WELDNUT CLEANING DIAGRAM)
6. Torque all 7/16" hardware to 50 ft-lbs.
Torque all 10mm hardware to 40 ft-lbs.
7. Raise exhaust back into position.

PERIODICALLY CHECK THIS RECEIVER HITCH TO ENSURE THAT ALL FASTENERS ARE TIGHT AND THAT ALL STRUCTURAL COMPONENTS ARE SOUND.

Curt Manufacturing LLC., warrants this product to be free of defects in material and/or workmanship at the time of retail purchase by the original purchaser. If the product is found to be defective, Curt Manufacturing LLC., may repair or replace the product, at their option, when the product is returned, prepaid, with proof of purchase. Alteration to, misuse of, or improper installation of this product voids the warranty. Curt Manufacturing LLC.'s liability is limited to repair or replacement of products found to be defective, and specifically excludes liability for incidental or consequential loss or damage.