

13114

BMW X6, X6M

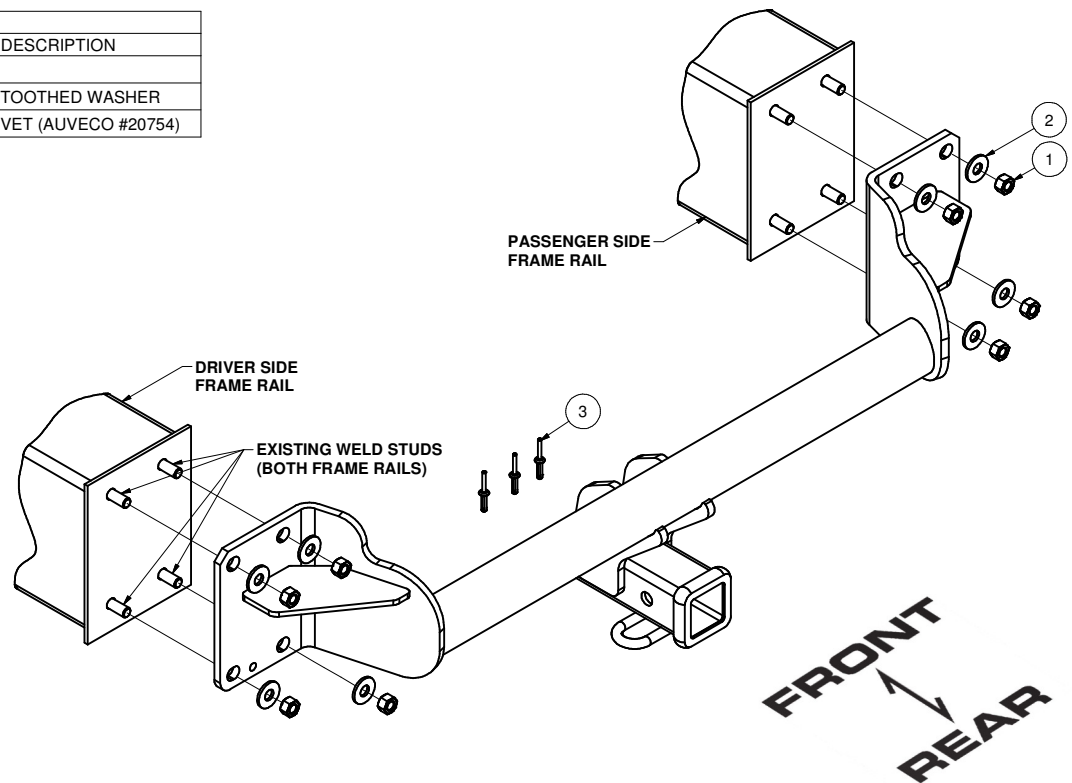
GROSS LOAD CAPACITY WHEN USED AS A WEIGHT CARRYING HITCH: 6,000 LBS. TRAILER WEIGHT & 600 LBS. TONGUE WEIGHT.

DO NOT EXCEED VEHICLE MANUFACTURER'S RECOMMENDED TOWING CAPACITY.

WARNING: ALL NON-TRAILER LOADS APPLIED TO THIS PRODUCT MUST BE SUPPORTED BY AUXILIARY STABILIZING STRAPS.

** FAILURE TO PROPERLY SUPPORT NON-TRAILER LOADS WILL VOID PRODUCT WARRANTY**

Parts List			
ITEM	QTY	PART NUMBER	DESCRIPTION
1	8	M12 - 1.5 HEX NUT	HEX NUT
2	8	1/2"	CONICAL TOOTHED WASHER
3	3	M6 RIVET	NYLON RIVET (AUVECO #20754)



HITCH WEIGHT: 40 LBS.

INSTALL TIME

PROFESSIONAL: 90 MINUTES

NOVICE (DIY): 180 MINUTES

INSTALL NOTES:

- FASCIA TRIMMING REQUIRED
- NO DRILLING REQUIRED
- REMOVE LOWER BUMPER FASCIA
- REMOVE BUMPER

INSTALLATION STEPS

- 1) Remove 3 rivets from lower bumper fascia, and gently pull back molding to locate and remove bottom bolt.
- 2) Remove the bolts located behind each of the reflectors, the reflectors have to be removed.
- 3) Remove the 6 bolts located on the bottom of the bumper.
- 4) Open the bottom tailgate to 45° to access tabs, pull apart tabs by squeezing tabs and lifting out.
- 5) Gently pull bumper ends outward and push the bumper forward.
- 6) Remove steel bumper beam and fasteners, return to vehicle owner.
- 7) Locate hitch into position and install with supplied fasteners as shown.
- 8) Torque all 12mm fasteners to 69 lb-ft.
- 9) With hitch on vehicle, mark bumper fascia and trim until fascia fits back onto vehicle without interfering with hitch.
- 10) Reinstall bumper fascia onto vehicle.

NOTE: OEM tow hooks can no longer be used at rear of vehicle.

PERIODICALLY CHECK THIS RECEIVER HITCH TO ENSURE THAT ALL FASTENERS ARE TIGHT AND THAT ALL STRUCTURAL COMPONENTS ARE SOUND.

Curt Manufacturing Inc., warrants this product to be free of defects in material and/or workmanship at the time of retail purchase by the original purchaser. If the product is found to be defective, Curt Manufacturing Inc., may repair or replace the product, at their option, when the product is returned, prepaid, with proof of purchase. Alteration to, misuse of, or improper installation of this product voids the warranty. Curt Manufacturing Inc.'s liability is limited to repair or replacement of products found to be defective, and specifically excludes liability for incidental or consequential loss or damage.