

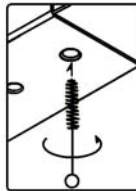
13109**NISSAN NV 1500, 2500, & 3500 (ALL MODELS)**

**GROSS LOAD CAPACITY WHEN USED AS A WEIGHT CARRYING HITCH: 7,500 LBS. TRAILER WEIGHT & 750 LBS. TONGUE WEIGHT.
GROSS LOAD CAPACITY WHEN USED AS A WEIGHT DISTRIBUTION HITCH: 10,000 LBS. TRAILER WEIGHT & 1000 LBS. TONGUE WEIGHT**

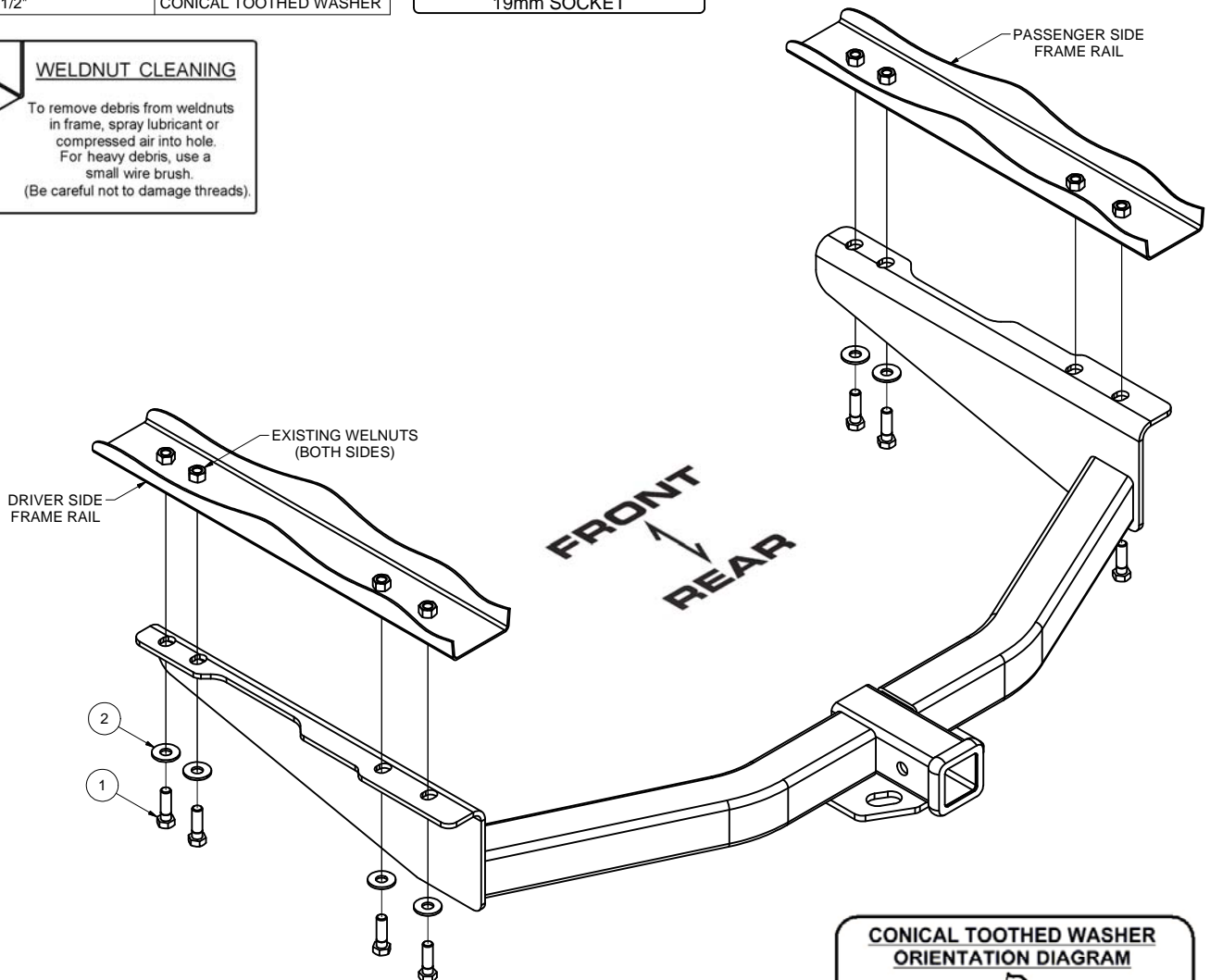
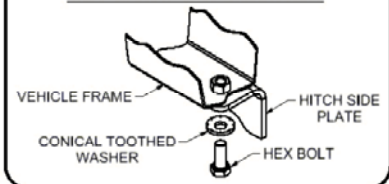
*****DO NOT EXCEED VEHICLE MANUFACTURER'S RECOMMENDED TOWING CAPACITY.*****

Parts List			
ITEM	QTY	PART NUMBER	DESCRIPTION
1	8	M12 - 1.25 x 40 HEX	HEX BOLT
2	8	1/2"	CONICAL TOOTHED WASHER

TOOLS REQUIRED	
TORQUE WRENCH	
RATCHET	
19mm SOCKET	

**WELDNUT CLEANING**

To remove debris from weldnuts in frame, spray lubricant or compressed air into hole. For heavy debris, use a small wire brush. (Be careful not to damage threads).

**CONICAL TOOTHED WASHER ORIENTATION DIAGRAM**

HITCH WEIGHT: 44 LBS.

INSTALL TIME

PROFESSIONAL: 10 MINUTES

NOVICE (DIY): 20 MINUTES

INSTALL NOTES:

- NO DRILLING REQUIRED

INSTALLATION STEPS

1. Raise hitch into position aligning holes in hitch with weldnuts in the frame rails. See Weldnut Cleaning Detail
2. Secure hitch to weldnuts using M12-1.25 x 40 hex bolts and 1/2" conical toothed washers.
3. Torque all M12 hardware to 72 ft-lbs.

PERIODICALLY CHECK THIS RECEIVER HITCH TO ENSURE THAT ALL FASTENERS ARE TIGHT AND THAT ALL STRUCTURAL COMPONENTS ARE SOUND.

Curt Manufacturing LLC., warrants this product to be free of defects in material and/or workmanship at the time of retail purchase by the original purchaser. If the product is found to be defective, Curt Manufacturing LLC., may repair or replace the product, at their option, when the product is returned, prepaid, with proof of purchase. Alteration to, misuse of, or improper installation of this product voids the warranty. Curt Manufacturing LLC.'s liability is limited to repair or replacement of products found to be defective, and specifically excludes liability for incidental or consequential loss or damage.