



13069 INSTALLATION INSTRUCTIONS

! Safety glasses should be worn at all times while installing this product.

YEARS: 2011

MAKE: SUBARU

MODEL: TRIBECA

STYLE: MID-SIZE SUV

WARNING: NEVER EXCEED YOUR VEHICLE MANUFACTURER'S RECOMMENDED TOWING CAPACITY

WEIGHT CARRYING:
TRAILER WEIGHT: 3,500 LBS.
TONGUE WEIGHT: 350 LBS.




WEIGHT DISTRIBUTION:
TRAILER WEIGHT: 4,000 LBS.
TONGUE WEIGHT: 400 LBS.

INSTALLATION TIME: 20 MIN.
THE INSTALL TIME LISTED IS FOR PROFESSIONAL INSTALLERS. IF YOU ARE HESITANT TO UNDERTAKE THIS TASK ON YOUR OWN, CONTACT AN AUTHORIZED CURT INSTALLER FOR ADDITIONAL ASSISTANCE.



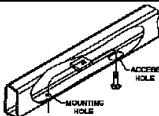
INSTALLATION TIPS:
1. BEFORE YOU BEGIN INSTALLATION, READ ALL INSTRUCTIONS THOROUGHLY.
2. TO EASE INSTALLATION, 2 PEOPLE MAY BE REQUIRED.
3. USING PROPER TOOLS WILL GREATLY IMPROVE THE QUALITY OF THE INSTALL AND REDUCE THE TIME REQUIRED.

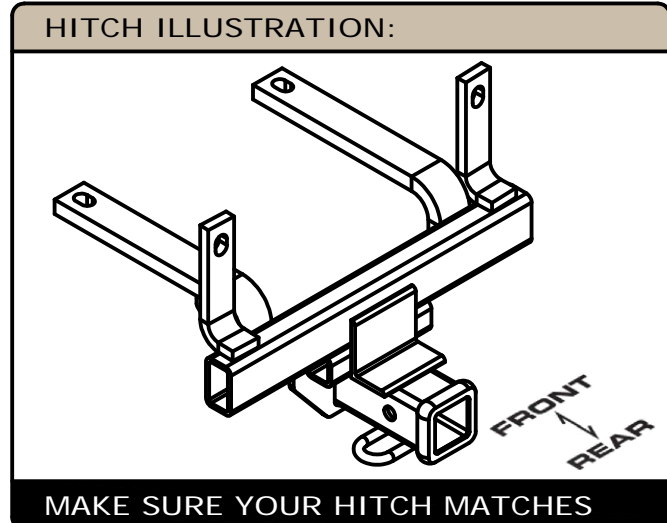


INSTALLATION REQUIRES:

 RATCHET	 SOCKET 3/4"	 TORQUE WRENCH

LEVEL OF DIFFICULTY: EASY

EASY	MODERATE	HARD
	NO DRILLING REQUIRED	
	TEMPORARILY REMOVE SPARE TIRE	
	FISHWIRE HARDWARE	



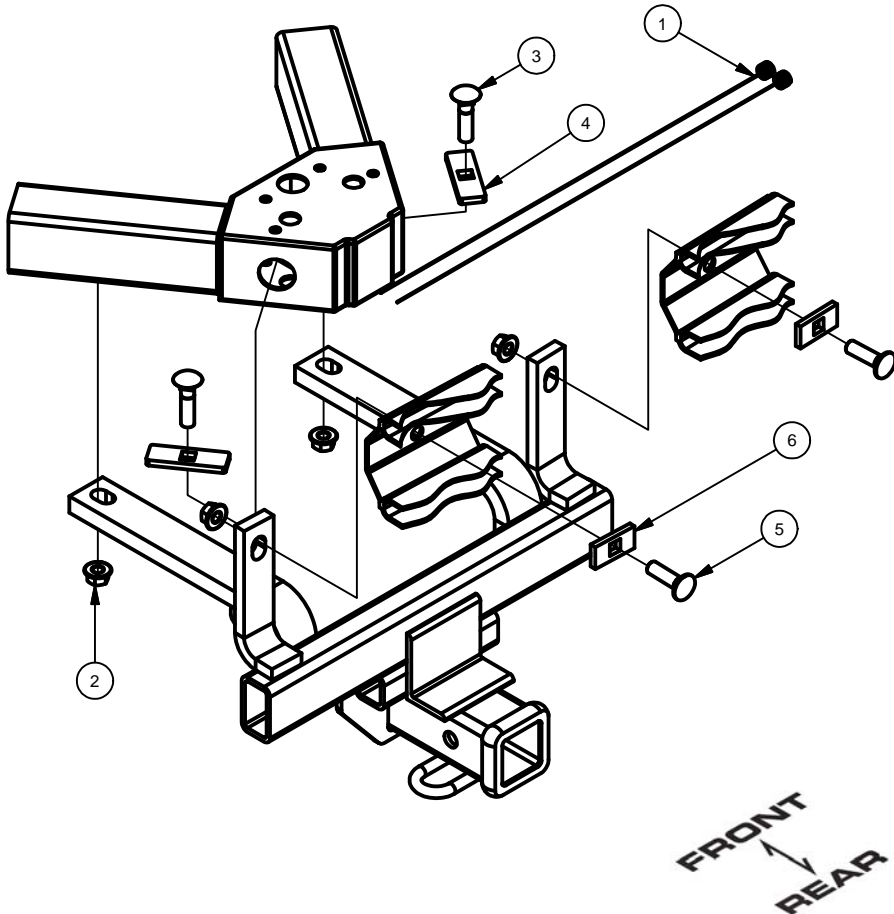
MAKE SURE YOUR HITCH MATCHES

PERIODICALLY CHECK THIS RECEIVER HITCH TO ENSURE ALL FASTENERS ARE TIGHT AND ALL STRUCTURAL COMPONENTS ARE SOUND

CURT Manufacturing Inc. warrants this product to be free of defects in material and/or workmanship at the time of retail purchase by the original purchaser. If the product is found to be defective, Curt Manufacturing Inc. may repair or replace the product at their option, when the product is returned, prepaid, with proof of purchase. Alteration to, misuse of, or improper installation of this product voids the warranty. Curt Manufacturing Inc.'s liability is limited to repair or replacement of products found to be defective, and specifically excludes liability for incidental or consequential loss or damage.

INSTALLATION WALKTHROUGH:

Parts List			
ITEM	QTY	PART NUMBER	DESCRIPTION
1	2	1_2 FISHWIRE	1/2" FISHWIRE
2	4	HFN 1213	HEX FLANGE NUT
3	2	1/2 - 13 x 2"	CARRIAGE BOLT
4	2	CM-SP6	.250 x 1.00 x 3.00" SQUARE HOLE SPACER
5	2	1/2-13 x 1 3/4	CARRIAGE BOLT
6	2	CM-SP12	.250 x 1.00 x 2.00" SQUARE HOLE SPACER



1. Temporarily remove spare tire.



2. Fishwire 1/2" carriage bolts and CM-SP12 spacers into position through end of vehicle bumper beam.

Note: Leave fishwires attached to prevent losing hardware in frame.

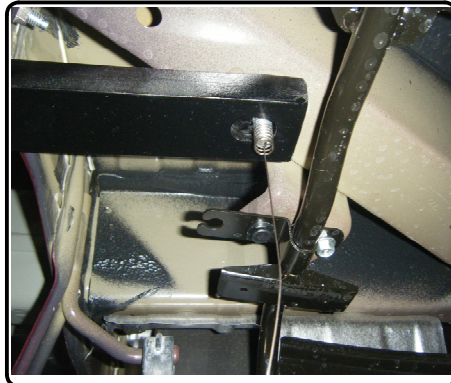


INSTALLATION WALKTHROUGH:

3. Raise hitch into position and secure hitch with 1/2" hex flange nuts.



4. Fishwire 1/2" carriage bolts and CM-SP6 spacers into vehicle "A" frame and secure with 1/2" hex flange nuts.



5. Torque 1/2" hardware to 75 lb-ft.



6. Raise spare tire back into position.

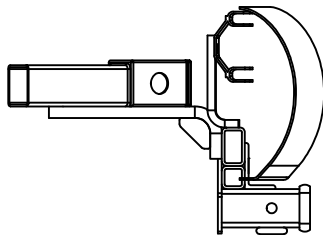
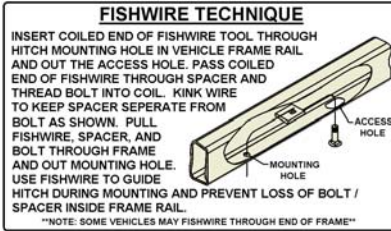


GROSS LOAD CAPACITY WHEN USED AS A WEIGHT CARRYING HITCH: 3,500 LBS. TRAILER WEIGHT & 350 LBS. TONGUE WEIGHT.
GROSS LOAD CAPACITY WHEN USED AS A WEIGHT DISTRIBUTION HITCH: 4,000 LBS. TRAILER WEIGHT & 400 LBS. TONGUE WEIGHT

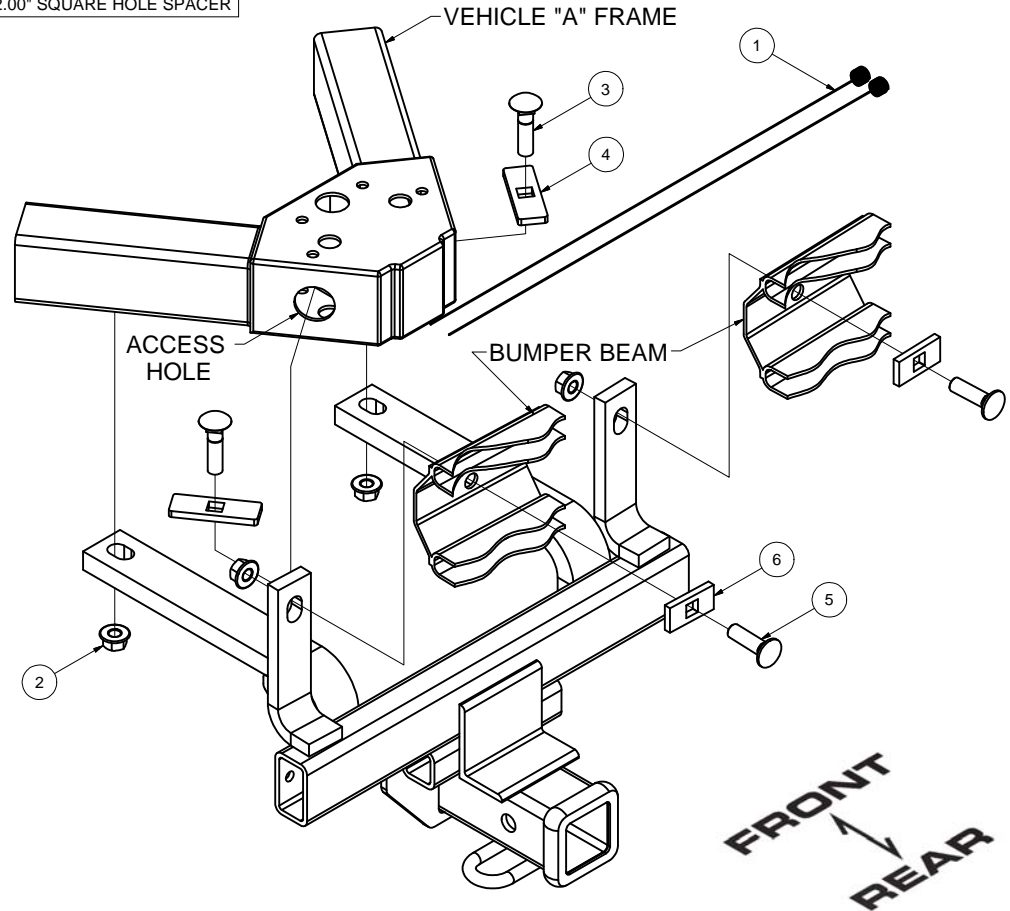
DO NOT EXCEED VEHICLE MANUFACTURER'S RECOMMENDED TOWING CAPACITY.

Parts List			
ITEM	QTY	PART NUMBER	DESCRIPTION
1	2	1_2 FISHWIRE	1/2" FISHWIRE
2	4	HFN 1213	HEX FLANGE NUT
3	2	1/2 - 13 x 2"	CARRIAGE BOLT
4	2	CM-SP6	.250 x 1.00 x 3.00" SQUARE HOLE SPACER
5	2	1/2-13 x 1 3/4	CARRIAGE BOLT
6	2	CM-SP12	.250 x 1.00 x 2.00" SQUARE HOLE SPACER

TOOLS REQUIRED
SOCKET WRENCH
3/4" SOCKET
TORQUE WRENCH



INSTALLED HITCH POSITION



HITCH WEIGHT: 29 LBS.

INSTALL TIME

PROFESSIONAL: 20 MINUTES

NOVICE (DIY): 40 MINUTES

INSTALL NOTES:

- LOWER SPARE TIRE
- NO DRILLING REQUIRED
- FISHWIRE HARDWARE

INSTALLATION STEPS

1. Lower spare tire from vehicle.
2. Fishwire 1/2" carriage bolts and CM-SP12 spacers into position through end of vehicle bumper beam. (See FISHWIRE TECHNIQUE above.) **Note:** Leave fishwires attached to prevent losing hardware in frame.
3. Raise hitch into position, remove fishwires and finger tighten 1/2" flange nuts.
4. Fishwire 1/2" carriage bolts and SP6 spacers into position in vehicle's "A" frame using 1/2" fishwires. (See FISHWIRE TECHNIQUE above.)
5. Install 1/2" flange nuts. Push hitch upwards until the hitch is level.
6. Torque all 1/2" hardware to 75 ft-lbs.
7. Raise spare tire back into position.

PERIODICALLY CHECK THIS RECEIVER HITCH TO ENSURE THAT ALL FASTENERS ARE TIGHT AND THAT ALL STRUCTURAL COMPONENTS ARE SOUND.

Curt Manufacturing Inc., warrants this product to be free of defects in material and/or workmanship at the time of retail purchase by the original purchaser. If the product is found to be defective, Curt Manufacturing Inc., may repair or replace the product, at their option, when the product is returned, prepaid, with proof of purchase. Alteration to, misuse of, or improper installation of this product voids the warranty. Curt Manufacturing Inc.'s liability is limited to repair or replacement of products found to be defective, and specifically excludes liability for incidental or consequential loss or damage.