



13067 INSTALLATION INSTRUCTIONS



Safety glasses should be worn at all times while installing this product.

YEARS: 2007-CURRENT

MAKE: FORD / LINCOLN

MODEL: EDGE / MKX

STYLE: CROSSOVER

WARNING: NEVER EXCEED YOUR VEHICLE MANUFACTURER'S RECOMMENDED TOWING CAPACITY

WEIGHT CARRYING:
TRAILER WEIGHT: 4,000 LBS.
TONGUE WEIGHT: 400 LBS.

INSTALLATION TIME: 60 MIN.
THE INSTALL TIME LISTED IS FOR PROFESSIONAL INSTALLERS. IF YOU ARE HESITANT TO UNDERTAKE THIS TASK ON YOUR OWN, CONTACT AN AUTHORIZED CURT INSTALLER FOR ADDITIONAL ASSISTANCE.

INSTALLATION TIPS:

1. BEFORE YOU BEGIN INSTALLATION, READ ALL INSTRUCTIONS THOROUGHLY.
2. TO EASE INSTALLATION, 2 PEOPLE MAY BE REQUIRED.
3. USING PROPER TOOLS WILL GREATLY IMPROVE THE QUALITY OF THE INSTALL AND REDUCE THE TIME REQUIRED.

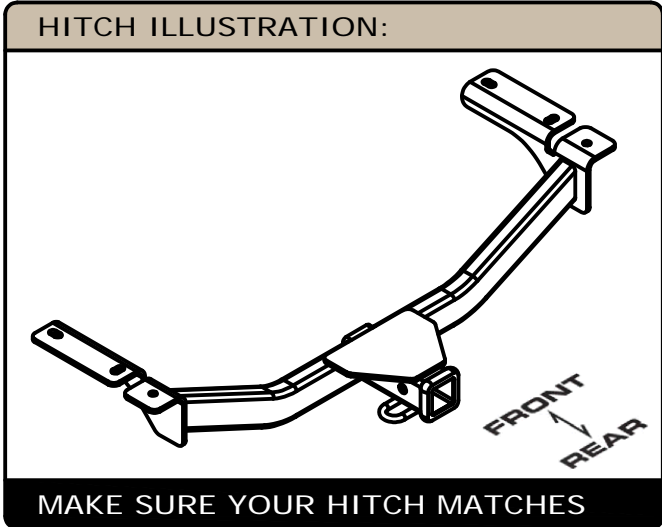


INSTALLATION REQUIRES:

 RATCHET	 TORQUE WRENCH	 6" SOCKET EXTENSION
 3/4" 8mm SOCKET	 SCREW DRIVER	 POWER DRILL
 DRILL BIT 17/32"	 AVIATION SHEARS	 WIRE

LEVEL OF DIFFICULTY: MODERATE

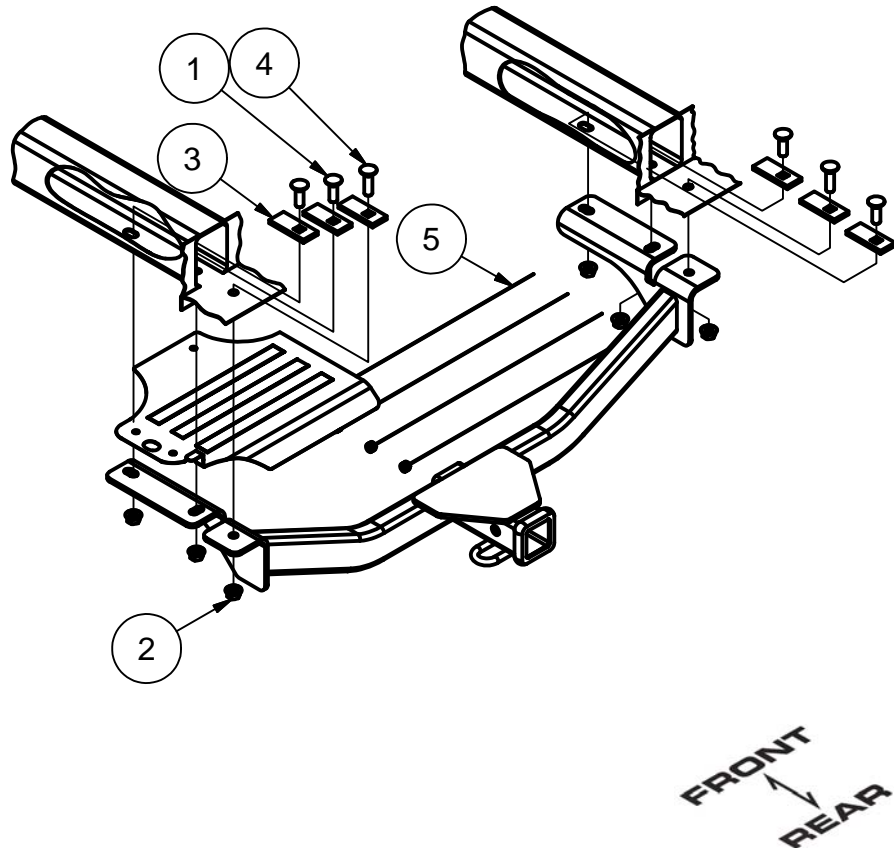
EASY	MODERATE	HARD
	LOWER EXHAUST	
	FISHWIRE HARDWARE	
	TRIM HEAT SHIELDS	
	DRILL HOLE IN FRAME RAILS	
	FASCIA TRIMMING REQUIRED ON EDGE SPORT MODEL	



PERIODICALLY CHECK THIS RECEIVER HITCH TO ENSURE ALL FASTENERS ARE TIGHT AND ALL STRUCTURAL COMPONENTS ARE SOUND
CURT Manufacturing Inc. warrants this product to be free of defects in material and/or workmanship at the time of retail purchase by the original purchaser. If the product is found to be defective, Curt Manufacturing Inc. may repair or replace the product at their option, when the product is returned, prepaid, with proof of purchase. Alteration to, misuse of, or improper installation of this product voids the warranty. Curt Manufacturing Inc.'s liability is limited to repair or replacement of products found to be defective, and specifically excludes liability for incidental or consequential loss or damage.

INSTALLATION WALKTHROUGH:

Parts List			
ITEM	QTY	PART NUMBER	DESCRIPTION
1	4	1/2-13 x 1 1/2	CARRIAGE BOLT
2	6	HFN 1213	HEX FLANGE NUT
3	6	CM-SP19	.250 x 1.25 x 3.00" SQUARE HOLE SPACER
4	2	1/2-13 x 1 3/4	CARRIAGE BOLT
5	4	1_2 FISHWIRE	1/2" FISHWIRE



1. Lower exhaust by removing (3) rubber exhaust isolators. Use wire to hold up exhaust to prevent damage to the exhaust tube.

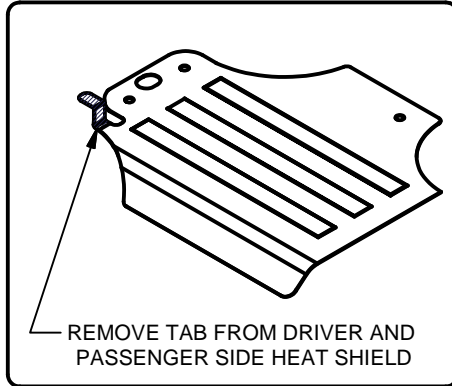


2. Remove heat shield from driver and passenger side of vehicle. The passenger side shield will need (3) screws and (1) plastic plug removed. The driver side shield will need (3) screws, (1) plastic plug, and (1) plastic clip attaching the heat shield to the wiring harness removed.



INSTALLATION WALKTHROUGH:

3. Trim tab off of heat shields and reinstall the heat shields. Do not reinstall the (2) screws that attach the heat shield to the frame rails.



4. Fishwire 1/2-13 x 1 1/2" carriage bolts and CM-SP19 spacers into position through end of frame rails and out mounting holes.



5. Raise hitch into position and secure it with the supplied 1/2" hex flange nuts.

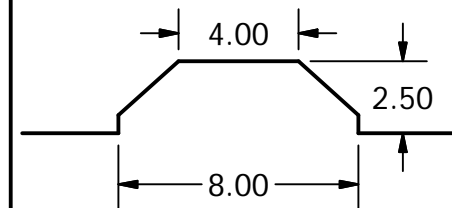


Note:

Ford Edge Sport model, require trimming of fascia. See diagram below for dimension, (dimensions are approximate, confirm fit before trimming).



Fascia Trim Diagram



INSTALLATION WALKTHROUGH:

6. Using the hitch as a template, drill the rear holes through the frame rails. Fishwire 1/2-13 x 1 3/4" carriage bolts and CM-SP19 spacers into position and secure with flange nuts.



7. Torque 1/2" hardware to 75 lb-ft.



8. Raise exhaust back into position.



13067

FORD EDGE / LINCOLN MKX

FITS EDGE SPORT WITH FASCIA TRIMMING

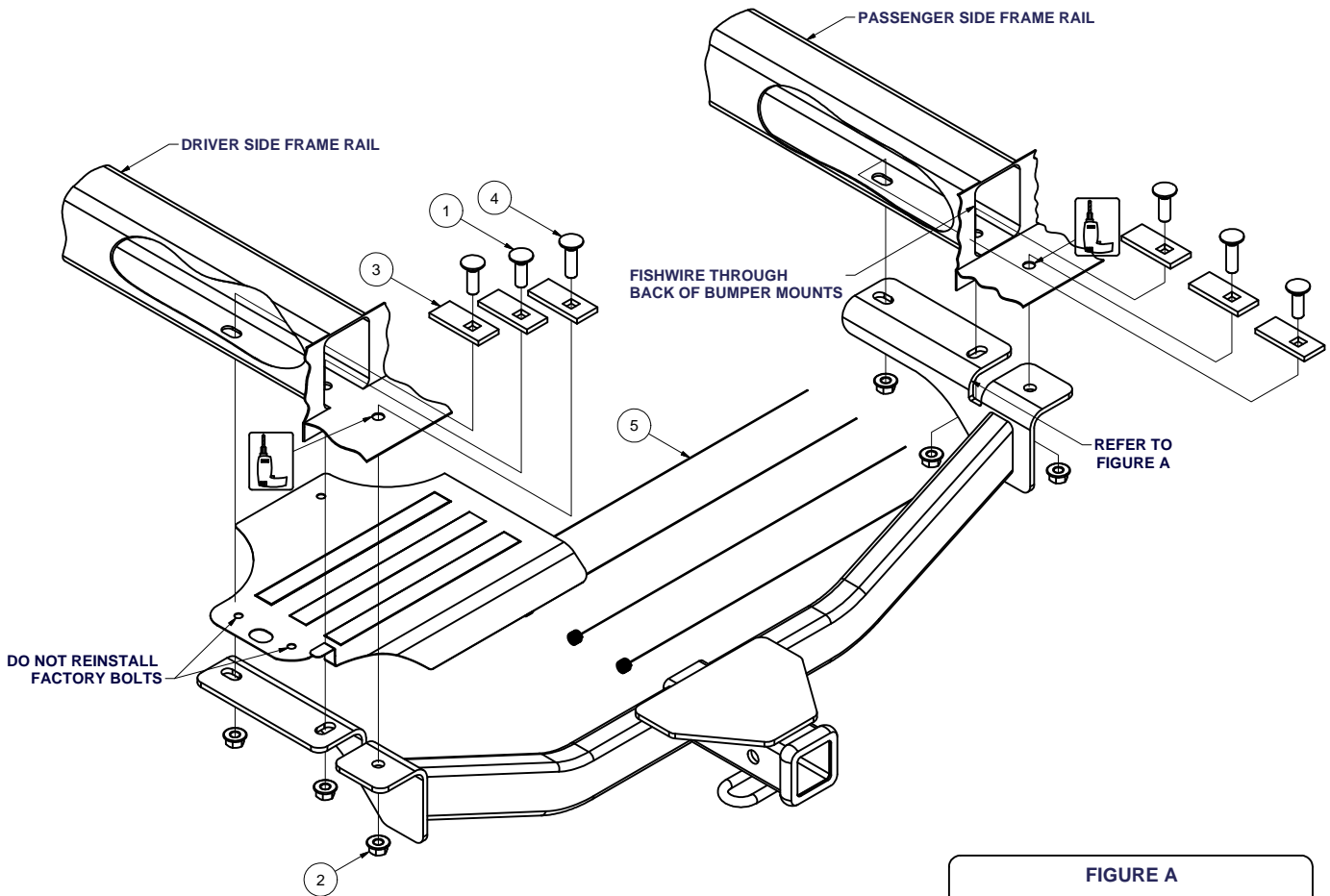
GROSS LOAD CAPACITY WHEN USED AS A WEIGHT CARRYING HITCH: 4,000 LBS. TRAILER WEIGHT & 400 LBS. TONGUE WEIGHT.
DO NOT EXCEED VEHICLE MANUFACTURER'S RECOMMENDED TOWING CAPACITY.

Parts List			
ITEM	QTY	PART NUMBER	DESCRIPTION
1	4	1/2-13 x 1 1/2	CARRIAGE BOLT
2	6	HFN 1213	HEX FLANGE NUT
3	6	CM-SP19	.250 x 1.25 x 3.00" SQUARE HOLE SPACER
4	2	1/2-13 x 1 3/4	CARRIAGE BOLT
5	4	1_2 FISHWIRE	1/2" FISHWIRE

FISHWIRE TECHNIQUE

INSERT COILED END OF FISHWIRE TOOL THROUGH HITCH MOUNTING HOLE IN VEHICLE FRAME RAIL AND OUT THE ACCESS HOLE. PASS COILED END OF FISHWIRE THROUGH SPACER AND THREAD BOLT INTO COIL. KINK WIRE TO KEEP SPACER SEPARATE FROM BOLT AS SHOWN. PULL FISHWIRE, SPACER, AND BOLT THROUGH FRAME AND OUT MOUNTING HOLE. USE FISHWIRE TO GUIDE HITCH DURING MOUNTING AND PREVENT LOSS OF BOLT / SPACER INSIDE FRAME RAIL.

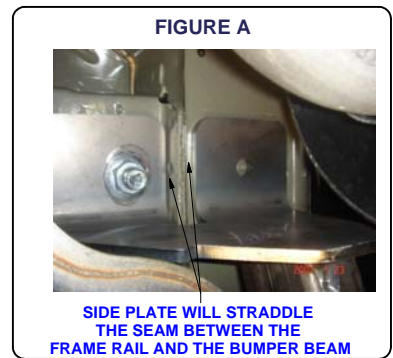
NOTE: SOME VEHICLES MAY FISHWIRE THROUGH END OF FRAME



HITCH WEIGHT: 32 LBS.
 INSTALL TIME: 60 MINUTES

INSTALL NOTES:
 - FISHWIRE HARDWARE
 - LOWER EXHAUST
 - DRILLING REQUIRED
 - HEAT SHIELD TRIMMING REQUIRED
 - FACIA TRIMMING MAY BE REQUIRED

FRONT
 ↓
REAR



PERIODICALLY CHECK THIS RECEIVER HITCH TO ENSURE THAT ALL FASTENERS ARE TIGHT AND THAT ALL STRUCTURAL COMPONENTS ARE SOUND.

Curt Manufacturing Inc., warrants this product to be free of defects in material and/or workmanship at the time of retail purchase by the original purchaser. If the product is found to be defective, Curt Manufacturing Inc., may repair or replace the product, at their option, when the product is returned, prepaid, with proof of purchase. Alteration to, misuse of, or improper installation of this product voids the warranty. Curt Manufacturing Inc.'s liability is limited to repair or replacement of products found to be defective, and specifically excludes liability for incidental or consequential loss or damage.

13067**FORD EDGE / LINCOLN MKX**

FITS EDGE SPORT WITH FASCIA TRIMMING

GROSS LOAD CAPACITY WHEN USED AS A WEIGHT CARRYING HITCH: 4,000 LBS. TRAILER WEIGHT & 400 LBS. TONGUE WEIGHT.

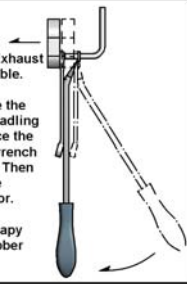
DO NOT EXCEED VEHICLE MANUFACTURER'S RECOMMENDED TOWING CAPACITY.

**RUBBER ISOLATOR
REMOVAL DIAGRAM**

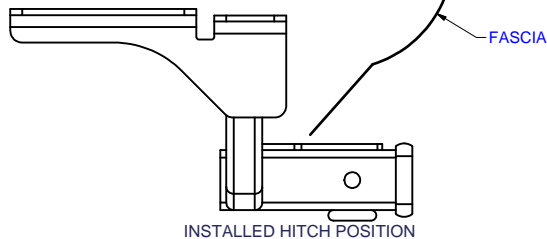
This technique can be used if and Exhaust Hanger Removal Pliers is not available.

Using a 5/8" open end wrench, slide the wrench up to the rubber isolator, cradling the hanger rod as shown. Next place the flat edge of a pry bar between the wrench and the hanger stop or hanger rod. Then simply rotate the pry bar toward the wrench to remove the rubber isolator.

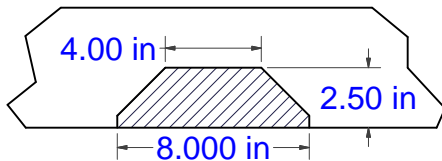
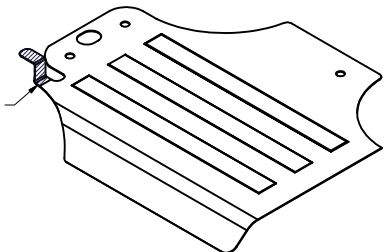
Note: Using a spray lubricant or soapy water on the hanger rod and the rubber isolator helps removal.



TOOLS REQUIRED
RATCHET
TORQUE WRENCH
6" SOCKET EXTENSION
3/4" SOCKET
8mm SOCKET
FLAT HEAD SCREWDRIVER
DRILL
17/32" DRILL BIT
TIN SNIPS
WIRE



REMOVE TAB FROM DRIVER AND PASSENGER SIDE HEAT SHIELD



EDGE SPORT FACIA TRIM DIAGRAM

INSTALLATION STEPS

1. Lower exhaust by removing the rear (3) exhaust hangers. It may be required to use some wire to hold the exhaust up high enough to prevent damage to the exhaust. (See RUBBER ISOLATOR REMOVAL DIAGRAM)
2. Remove heat shield from both sides of vehicle by removing the (3) 6mm bolts and (1) black plastic plug. The driver side heat shield will also be connected to the rear wiring harness by a plastic plug. Once heat shield is removed trim off tab. (See HEAT SHIELD TAB REMOVAL diagram) Reattach heat shield without the screws in the frame rails. Heat shield will then be sandwiched between vehicle frame rails and hitch.
3. Fishwire 1/2 - 13 x 1 1/2" carriage bolts with CM-SP19 spacers through rear of bumper mounts to holes in frame rails, as shown. (See FISHWIRE TECHNIQUE DIAGRAM)
4. Raise hitch into position and secure with 1/2" flange nuts.
(Note: Bumper facia trimming is required on Edge Sport. See Trim Diagram.)
5. Using the hitch as a template, drill rear holes of hitch, both sides, using a 17/32" drill bit.
6. Fishwire 1/2-13 x 1 3/4" carriage bolt and spacer through back of bumper mounts and attach with 1/2" flange nuts.
7. Torque 1/2" hardware to 75 lb-ft.
8. Reinstall exhaust removed in Step 1.

PERIODICALLY CHECK THIS RECEIVER HITCH TO ENSURE THAT ALL FASTENERS ARE TIGHT AND THAT ALL STRUCTURAL COMPONENTS ARE SOUND.

Curt Manufacturing Inc., warrants this product to be free of defects in material and/or workmanship at the time of retail purchase by the original purchaser. If the product is found to be defective, Curt Manufacturing Inc., may repair or replace the product, at their option, when the product is returned, prepaid, with proof of purchase. Alteration to, misuse of, or improper installation of this product voids the warranty. Curt Manufacturing Inc.'s liability is limited to repair or replacement of products found to be defective, and specifically excludes liability for incidental or consequential loss or damage.