

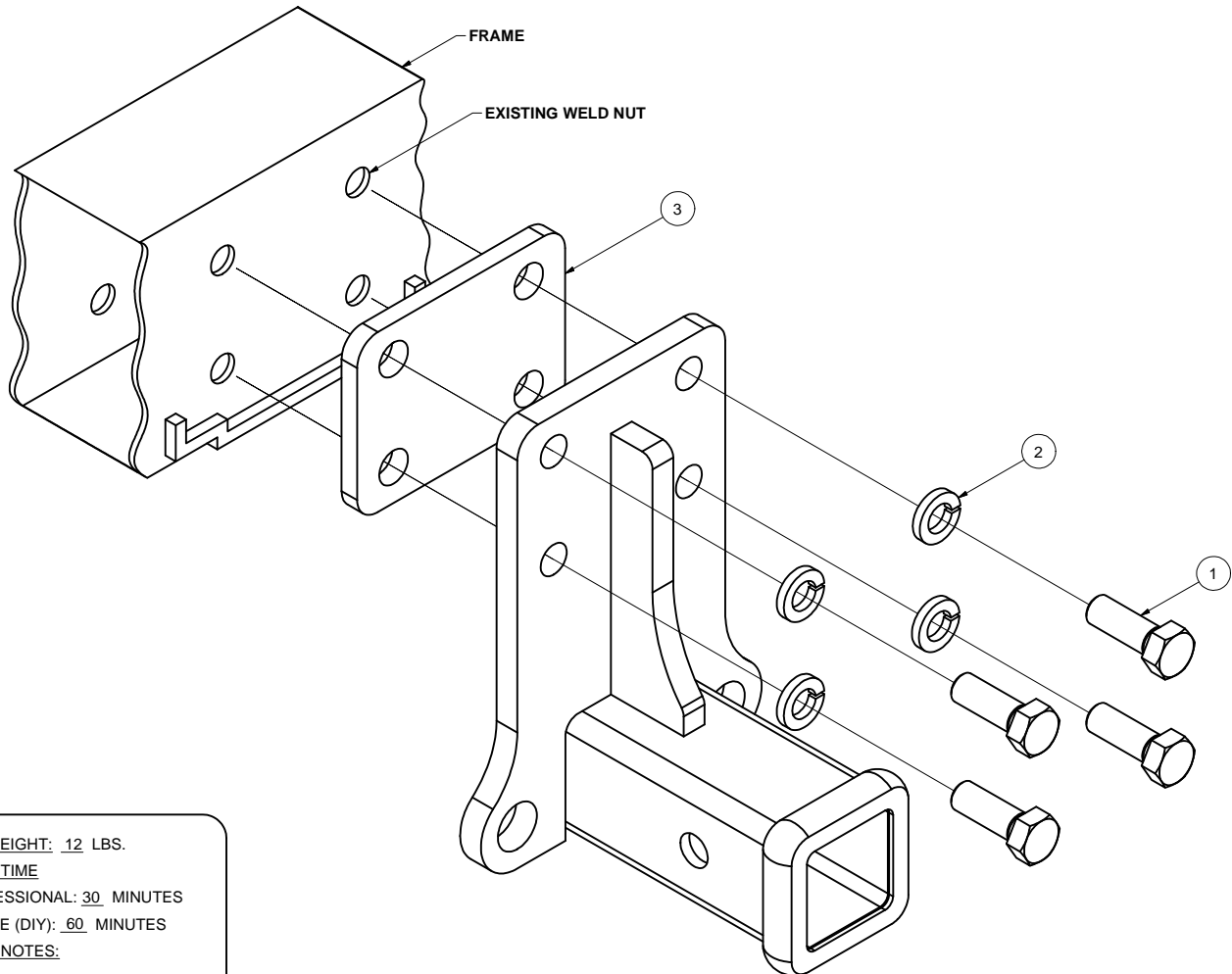
13018**MERCEDES BENZ : 1998-2002 ML320, 2003-2005 ML350
1999-2001 ML430, 2002-2005 ML500****GROSS LOAD CAPACITY WHEN USED AS A WEIGHT CARRYING HITCH: 3,500 LBS. TRAILER WEIGHT & 350 LBS. TONGUE WEIGHT.**

DO NOT EXCEED VEHICLE MANUFACTURER'S RECOMMENDED TOWING CAPACITY.

WARNING: ALL NON-TRAILER LOADS APPLIED TO THIS PRODUCT MUST BE SUPPORTED BY AUXILIARY STABILIZING STRAPS.

** FAILURE TO PROPERLY SUPPORT NON-TRAILER LOADS WILL VOID PRODUCT WARRANTY**

Parts List			
ITEM	QTY	PART NUMBER	DESCRIPTION
1	4	M14 - 1.5 x 50 HEX	HEX BOLT
2	4	9/16	LOCK WASHER
3	1	CM-13018-SP	.375" SPACER PLATE

HITCH WEIGHT: 12 LBS.INSTALL TIME

PROFESSIONAL: 30 MINUTES

NOVICE (DIY): 60 MINUTES

INSTALL NOTES:

- NO DRILLING REQUIRED

INSTALLATION STEPS

- 1) Temporarily remove plastic bumper fascia. Carefully remove large center door and both smaller left and right doors. This exposes fascia mounting screws, remove screws and fascia. Note: If vehicle is equipped with outboard spare tire carrier, temporarily remove tire and mounting brackets as necessary.
- 2) Position hitch over existing weldnuts in bumper beam. Note: If vehicle is equipped with a spare tire bracket mounted on bumper beam, install spacer plate between hitch and bumper. Install fasteners as shown.
- 3) Torque all hardware to 101 lb.-ft.

PERIODICALLY CHECK THIS RECEIVER HITCH TO ENSURE THAT ALL FASTENERS
ARE TIGHT AND THAT ALL STRUCTURAL COMPONENTS ARE SOUND.

Curt Manufacturing Inc., warrants this product to be free of defects in material and/or workmanship at the time of retail purchase by the original purchaser. If the product is found to be defective, Curt Manufacturing Inc., may repair or replace the product, at their option, when the product is returned, prepaid, with proof of purchase. Alteration to, misuse of, or improper installation of this product voids the warranty. Curt Manufacturing Inc.'s liability is limited to repair or replacement of products found to be defective, and specifically excludes liability for incidental or consequential loss or damage.