

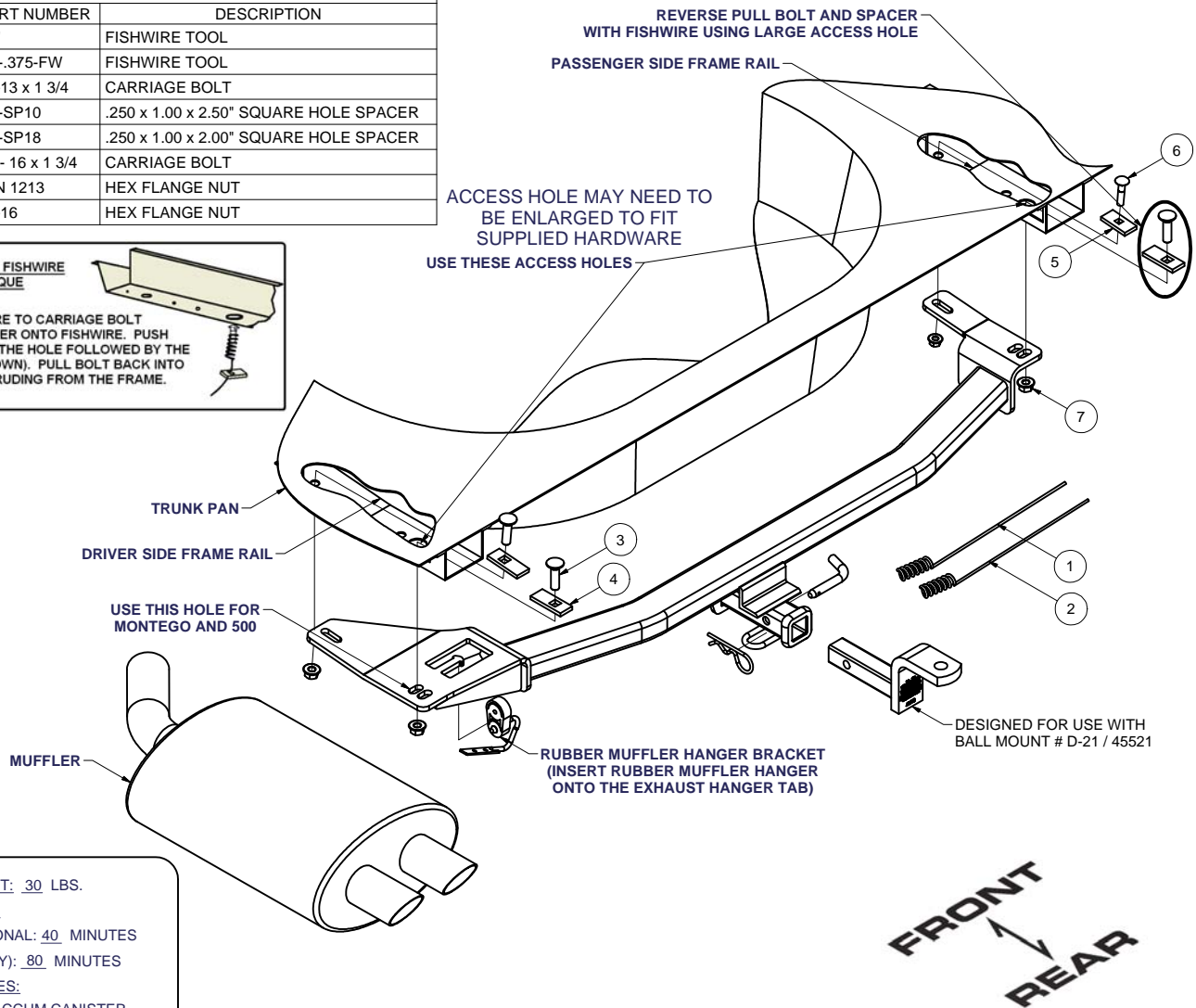
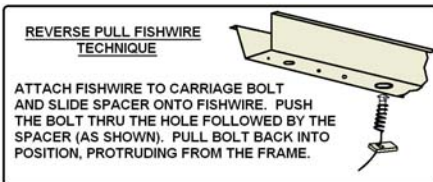
**GROSS LOAD CAPACITY WHEN USED AS A WEIGHT CARRYING HITCH: 3,500 LBS. TRAILER WEIGHT & 300 LBS. TONGUE WEIGHT.**

\*\*\*DO NOT EXCEED VEHICLE MANUFACTURER'S RECOMMENDED TOWING CAPACITY.\*\*\*

**WARNING: ALL NON-TRAILER LOADS APPLIED TO THIS PRODUCT MUST BE SUPPORTED BY AUXILIARY STABILIZING STRAPS.**

\*\* FAILURE TO PROPERLY SUPPORT NON-TRAILER LOADS WILL VOID PRODUCT WARRANTY\*\*

Parts List			
ITEM	QTY	PART NUMBER	DESCRIPTION
1	1	1/2"	FISHWIRE TOOL
2	1	CM-.375-FW	FISHWIRE TOOL
3	3	1/2-13 x 1 3/4	CARRIAGE BOLT
4	3	CM-SP10	.250 x 1.00 x 2.50" SQUARE HOLE SPACER
5	1	CM-SP18	.250 x 1.00 x 2.00" SQUARE HOLE SPACER
6	1	3/8 - 16 x 1 3/4	CARRIAGE BOLT
7	3	HFN 1213	HEX FLANGE NUT
8	1	3/8-16	HEX FLANGE NUT



HITCH WEIGHT: 30 LBS.

**INSTALL TIME**

PROFESSIONAL: 40 MINUTES

NOVICE (DIY): 80 MINUTES

**INSTALL NOTES:**

- LOWER VACCUM CANISTER
- LOWER MUFFLER AND RUBBER HANGER

## INSTALLATION STEPS

- 1) Lower vaccum canister and muffler. (discard exhaust bracket)
- 2) Fishwire bolts and square hole spacers into position through access holes on the frame rails. (3/8" fasteners and spacer goes into the forward most hole on the passenger side)
- 4) Raise hitch into position and install remaining fasteners. (For free style use the forward most slot and the rearward most slot on hitch. For Montego and 500 use the opposite rearward hole.)
5. Torque 3/8" fasteners to 30 ft-lb  
1/2" fasteners to 75 ft-lb

PERIODICALLY CHECK THIS RECEIVER HITCH TO ENSURE THAT ALL FASTENERS ARE TIGHT AND THAT ALL STRUCTURAL COMPONENTS ARE SOUND.

Curt Manufacturing Inc., warrants this product to be free of defects in material and/or workmanship at the time of retail purchase by the original purchaser. If the product is found to be defective, Curt Manufacturing Inc., may repair or replace the product, at their option, when the product is returned, prepaid, with proof of purchase. Alteration to, misuse of, or improper installation of this product voids the warranty. Curt Manufacturing Inc.'s liability is limited to repair or replacement of products found to be defective, and specifically excludes liability for incidental or consequential loss or damage.