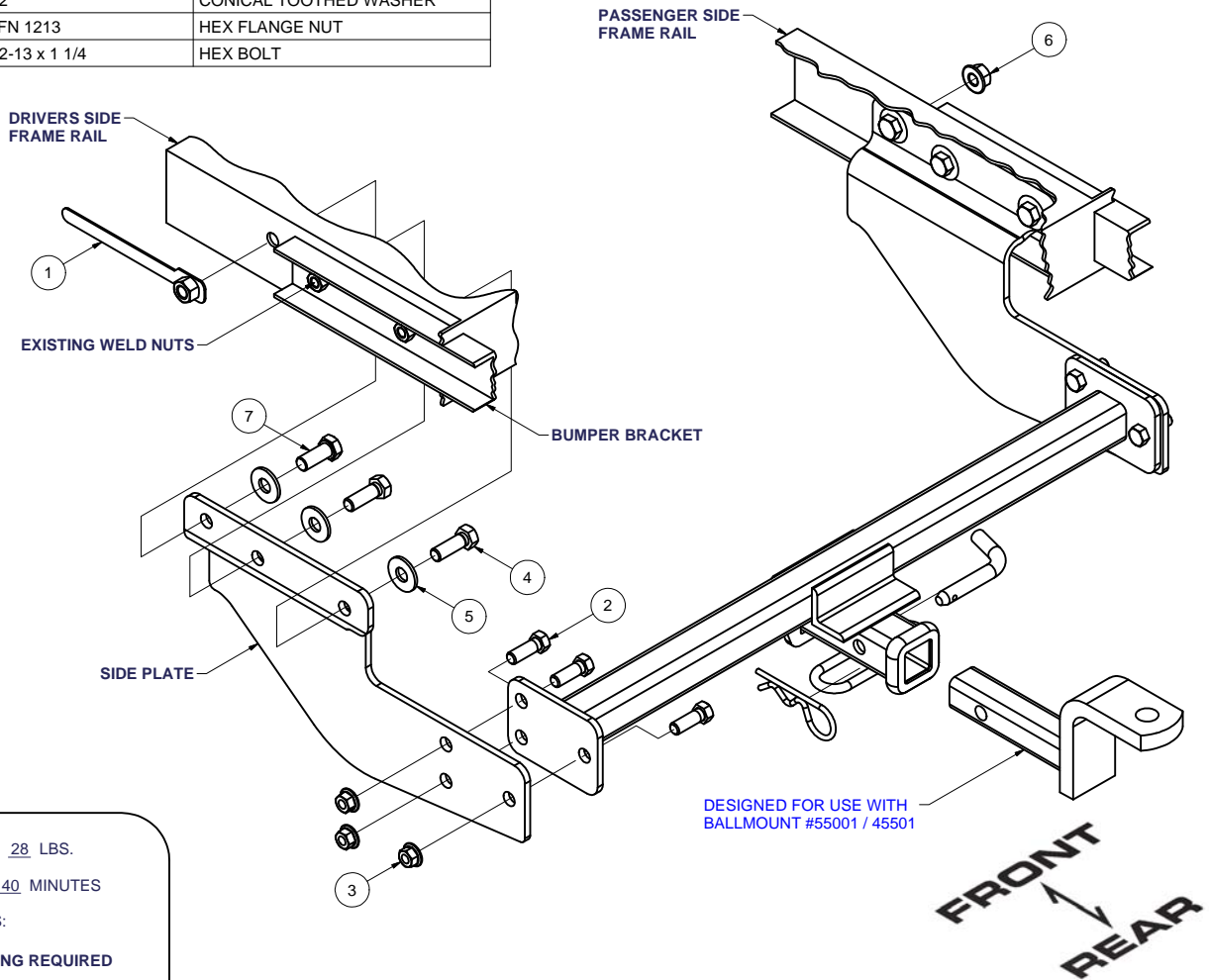


12217

93-03 VOLKSWAGEN EUROVAN

GROSS LOAD CAPACITY WHEN USED AS A WEIGHT CARRYING HITCH: 3,500 LBS. TRAILER WEIGHT & 300 LBS. TONGUE WEIGHT.  
 \*\*\*DO NOT EXCEED VEHICLE MANUFACTURER'S RECOMMENDED TOWING CAPACITY.\*\*\*

Parts List			
ITEM	QTY	PART NUMBER	DESCRIPTION
1	1	1/2-13	HANDLE NUT
2	6	7/16-14 x 1 1/4	HEX BOLT
3	6	7/16-14	HEX FLANGE NUT
4	4	M12-1.5 x 35mm	HEX BOLT
5	6	1/2"	CONICAL TOOTHED WASHER
6	1	HFN 1213	HEX FLANGE NUT
7	2	1/2-13 x 1 1/4	HEX BOLT



HITCH WEIGHT: 28 LBS.

INSTALL TIME: 40 MINUTES

INSTALL NOTES:

NO DRILLING REQUIRED

## INSTALLATION STEPS

- 1) Remove the two rear most frame bolts that attach the bumper brackets to the frame rails. Mount side plates to inner surface of frame rails aligning rear most holes with existing weldnuts in bumper bracket. Loosely install fasteners as shown.  
**(Note: It may be necessary to remove plastic clips holding wire bundle inside passenger side frame.)**
- 2) Mount receiver assembly between frame plates and install fasteners as shown.
- 3) Torque 1/2" fasteners to 75 lb.-ft., M12 fasteners to 62 lb.-ft., and 7/16" fasteners to 50 lb.-ft.

PERIODICALLY CHECK THIS RECEIVER HITCH TO ENSURE THAT ALL FASTENERS ARE TIGHT AND THAT ALL STRUCTURAL COMPONENTS ARE SOUND.

Curt Manufacturing Inc., warrants this product to be free of defects in material and/or workmanship at the time of retail purchase by the original purchaser. If the product is found to be defective, Curt Manufacturing Inc., may repair or replace the product, at their option, when the product is returned, prepaid, with proof of purchase. Alteration to, misuse of, or improper installation of this product voids the warranty. Curt Manufacturing Inc.'s liability is limited to repair or replacement of products found to be defective, and specifically excludes liability for incidental or consequential loss or damage.