

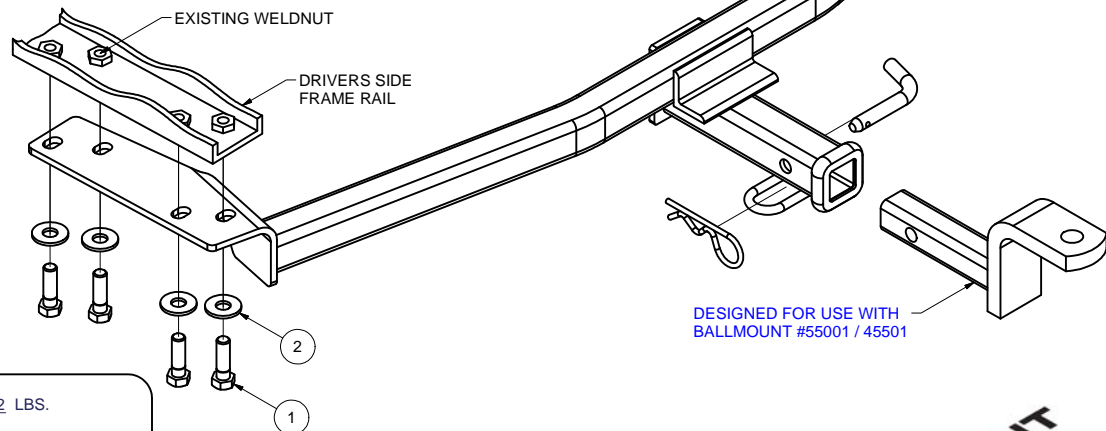
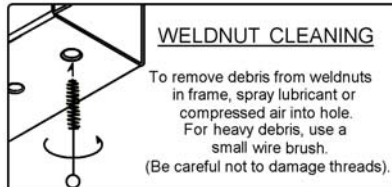
**12209**84-93 VOLVO 740 SERIES, 83-96 760 SERIES, 88-90 780 (COUPE),  
91-95 940 SERIES, 91-94 960 SERIES**GROSS LOAD CAPACITY WHEN USED AS A WEIGHT CARRYING HITCH: 3,500 LBS. TRAILER WEIGHT & 350 LBS. TONGUE WEIGHT.**

\*\*\*DO NOT EXCEED VEHICLE MANUFACTURER'S RECOMMENDED TOWING CAPACITY.\*\*\*

**WARNING: ALL NON-TRAILER LOADS APPLIED TO THIS PRODUCT MUST BE SUPPORTED BY AUXILIARY STABILIZING STRAPS.**

\*\* FAILURE TO PROPERLY SUPPORT NON-TRAILER LOADS WILL VOID PRODUCT WARRANTY\*\*

Parts List			
ITEM	QTY	PART NUMBER	DESCRIPTION
1	8	M12-1.75 x 40mm	HEX BOLT
2	8	1/2"	CONICAL TOOTHED WASHER

HITCH WEIGHT: 22 LBS.**INSTALL TIME**PROFESSIONAL: 10 MINUTESNOVICE (DIY): 20 MINUTES**INSTALL NOTES:**

- NO DRILLING REQUIRED
- REMOVE TIE DOWN BRACKET
- TRIM FASCIA PANEL

**INSTALLATION STEPS**

1. Remove the tie down bracket from bottom of left frame rail. Remove plastic plug from right frame rail. Remove the plastic trim panel running across under the car on all models except for 780.

2. Lift the hitch into position on vehicle frame rails and mount using fasteners as shown.

3. Plastic trim panel must be notched at top edge for hitch receiver clearance. Hold panel up to locate notch and cut only enough to clear hitch. Reinstall the plastic trim panel.

**780 MODELS ONLY:**

2. Lift hitch into position on vehicle lining up with weld nuts until hitch meets plastic trim panel. Mark panel for receiver clearance. Lower hitch.

3. Trim panel just enough to clear receiver tube with hitch in position on frame rails. Install hitch as shown.

4. Torque all hardware to 59 lb.-ft.

PERIODICALLY CHECK THIS RECEIVER HITCH TO ENSURE THAT ALL FASTENERS ARE TIGHT AND THAT ALL STRUCTURAL COMPONENTS ARE SOUND.

Curt Manufacturing Inc., warrants this product to be free of defects in material and/or workmanship at the time of retail purchase by the original purchaser. If the product is found to be defective, Curt Manufacturing Inc., may repair or replace the product, at their option, when the product is returned, prepaid, with proof of purchase. Alteration to, misuse of, or improper installation of this product voids the warranty. Curt Manufacturing Inc.'s liability is limited to repair or replacement of products found to be defective, and specifically excludes liability for incidental or consequential loss or damage.