

12094**1996-07 CHRYSLER TOWN & COUNTRY, DODGE CARAVAN, PLYMOUTH VOYAGER****INCLUDING SPORT MODELS****GROSS LOAD CAPACITY WHEN USED AS A WEIGHT CARRYING HITCH: 3500 LBS. TRAILER WEIGHT & 350 LBS. TONGUE WEIGHT.**

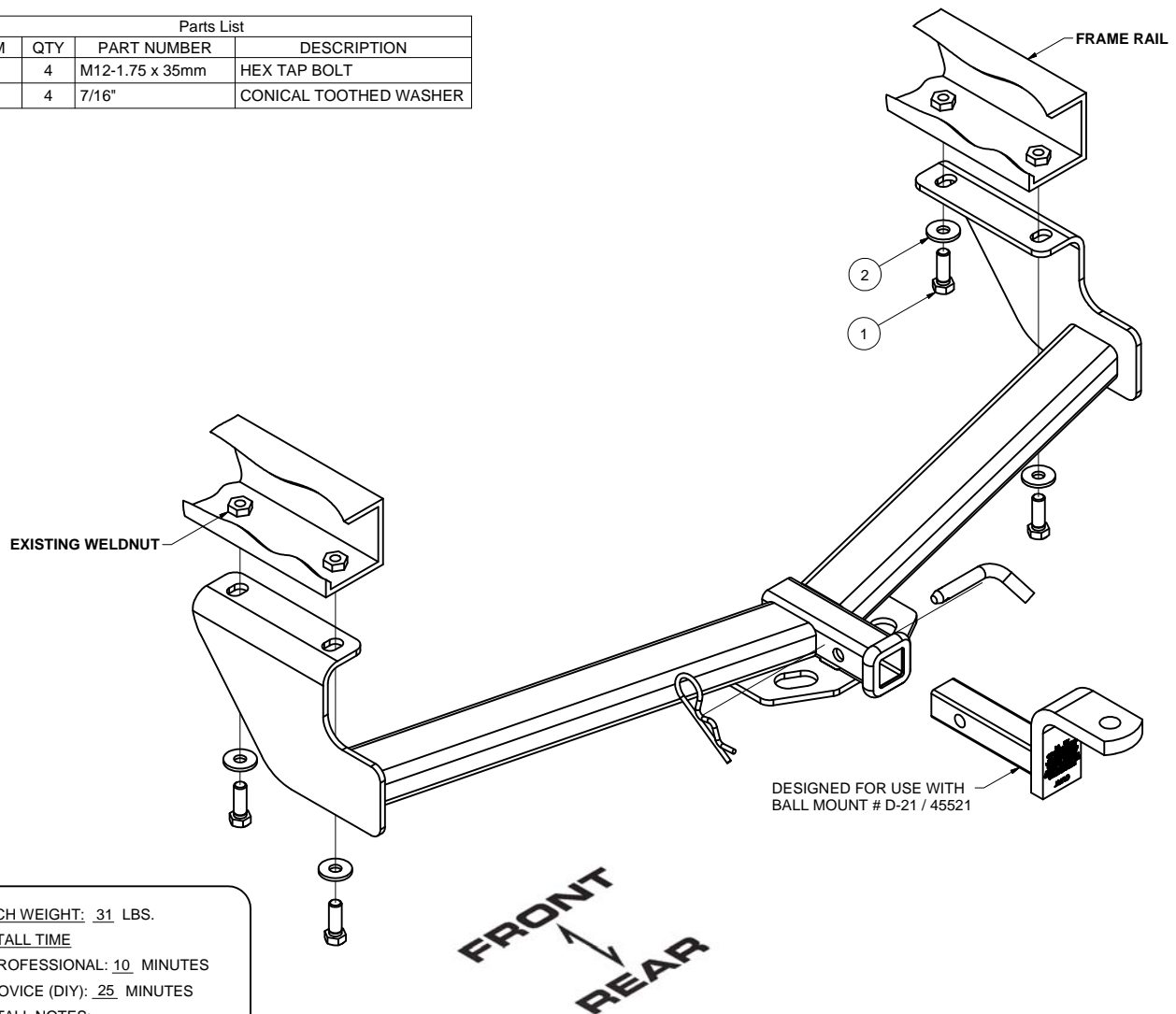
DO NOT EXCEED VEHICLE MANUFACTURER'S RECOMMENDED TOWING CAPACITY.

WARNING: ALL NON-TRAILER LOADS APPLIED TO THIS PRODUCT MUST BE SUPPORTED BY AUXILIARY STABILIZING STRAPS.

** FAILURE TO PROPERLY SUPPORT NON-TRAILER LOADS WILL VOID PRODUCT WARRANTY**

Parts List

ITEM	QTY	PART NUMBER	DESCRIPTION
1	4	M12-1.75 x 35mm	HEX TAP BOLT
2	4	7/16"	CONICAL TOOTHED WASHER

HITCH WEIGHT: 31 LBS.INSTALL TIMEPROFESSIONAL: 10 MINUTESNOVICE (DIY): 25 MINUTESINSTALL NOTES:

-NO DRILLING REQUIRED

INSTALLATION STEPS

- 1) Raise vehicle for access to underside.
- 2) Remove two rearmost bolts from vehicle frame. (2 each per side)
- 3) Raise hitch into position
- 4) Secure by installing the bolts removed in step 2
- 5) Torque fasteners to 75 lb.-ft.

PERIODICALLY CHECK THIS RECEIVER HITCH TO ENSURE THAT ALL FASTENERS ARE TIGHT AND THAT ALL STRUCTURAL COMPONENTS ARE SOUND.

Curt Manufacturing Inc., warrants this product to be free of defects in material and/or workmanship at the time of retail purchase by the original purchaser. If the product is found to be defective, Curt Manufacturing Inc., may repair or replace the product, at their option, when the product is returned, prepaid, with proof of purchase. Alteration to, misuse of, or improper installation of this product voids the warranty. Curt Manufacturing Inc.'s liability is limited to repair or replacement of products found to be defective, and specifically excludes liability for incidental or consequential loss or damage.