

GROSS LOAD CAPACITY WHEN USED AS A WEIGHT CARRYING HITCH: 3,500 LBS. TRAILER WEIGHT & 300 LBS. TONGUE WEIGHT.

DO NOT EXCEED VEHICLE MANUFACTURER'S RECOMMENDED TOWING CAPACITY.

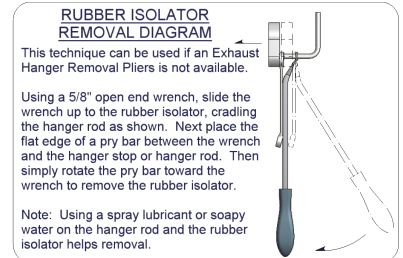
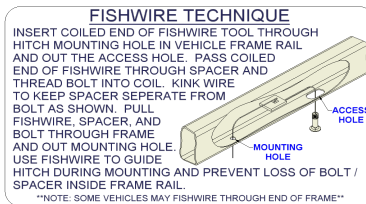
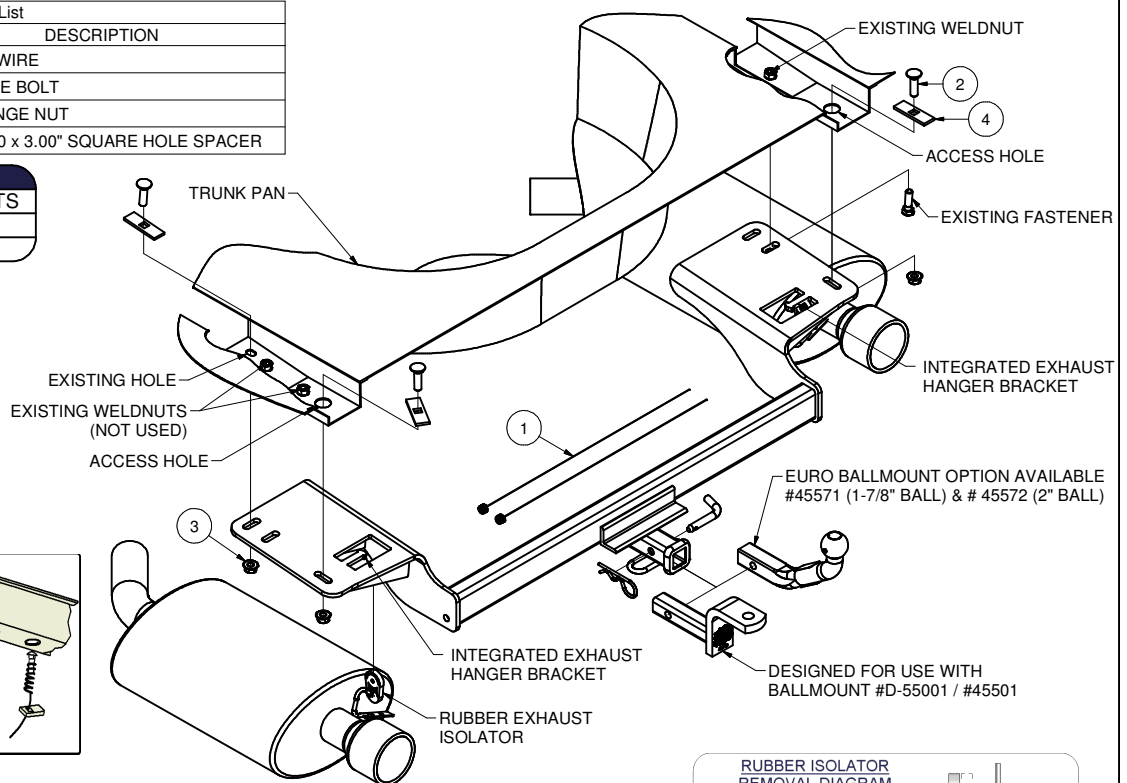
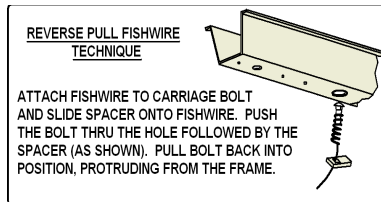
WARNING: ALL NON-TRAILER LOADS APPLIED TO THIS PRODUCT MUST BE SUPPORTED BY AUXILIARY STABILIZING STRAPS.

** FAILURE TO PROPERLY SUPPORT NON-TRAILER LOADS WILL VOID PRODUCT WARRANTY**

Parts List				
ITEM	QTY	PART NUMBER	DESCRIPTION	
1	2	1_2 FISHWIRE	1/2" FISHWIRE	
2	3	1/2-13 x 1 3/4	CARRIAGE BOLT	
3	3	HFN 1213	HEX FLANGE NUT	
4	3	CM-SP40	.188 x 1.00 x 3.00" SQUARE HOLE SPACER	

TOOLS REQUIRED

10mm, 18mm AND 3/4" SOCKETS
RATCHET
TORQUE WRENCH



HITCH WEIGHT: 46 LBS.

INSTALL TIME

PROFESSIONAL: 30 MINUTES

NOVICE (DIY): 65 MINUTES

INSTALL NOTES:

- LOWER EXHAUST

INSTALLATION STEPS

- 1) Lower the exhaust by removing the (2) rubber isolators from the hangers at the rear of the mufflers. Leave the isolators attached to the mufflers. (See Rubber Isolator Removal Diagram.)
- 2) Remove the (2) fasteners securing the rubber isolator brackets from each side of the vehicle. Keep one fastener from the passenger side for later use. Give the remaining fasteners and exhaust hangers to the vehicle owner.
- 3) Using the fishwire tool provided, fishwire a 1/2-13 carriage bolt and CM-SP40 spacer through the rearmost access hole in the driver side frame rail into forward hole as shown. (See Fishwire Technique.)
- 4) Reverse fishwire the remaining 1/2-13 carriage bolts and CM-SP40 spacers into the rearmost access holes in the driver and passenger side frame rails. (See Reverse Pull Fishwire Technique.)
- 5) Raise the hitch into position above the exhaust and secure using the hex flange nuts on the 1/2-13 fasteners along with the existing fastener saved from Step 2.
- 6) Torque all fasteners to 75 ft lbs.
- 7) Raise the exhaust into position and secure the isolator using the integrated exhaust hanger brackets as shown.

PERIODICALLY CHECK THIS RECEIVER HITCH TO ENSURE THAT ALL FASTENERS ARE TIGHT AND THAT ALL STRUCTURAL COMPONENTS ARE SOUND.

Curt Manufacturing Inc., warrants this product to be free of defects in material and/or workmanship at the time of retail purchase by the original purchaser. If the product is found to be defective, Curt Manufacturing Inc., may repair or replace the product, at their option, when the product is returned, prepaid, with proof of purchase. Alteration to, misuse of, or improper installation of this product voids the warranty. Curt Manufacturing Inc.'s liability is limited to repair or replacement of products found to be defective, and specifically excludes liability for incidental or consequential loss or damage.