

12073

92-98 BUICK SKYLARK PASSENGER, 92-98 PONTIAC GRAND AM 2 & 4 DR.  
92-00 OLDSMOBILE ACHIEVA

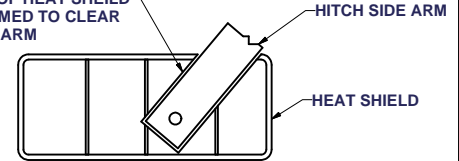
GROSS LOAD CAPACITY WHEN USED AS A WEIGHT CARRYING HITCH: 3500 LBS. TRAILER WEIGHT &amp; 350 LBS. TONGUE WEIGHT.

\*\*\*DO NOT EXCEED VEHICLE MANUFACTURER'S RECOMMENDED TOWING CAPACITY.\*\*\*

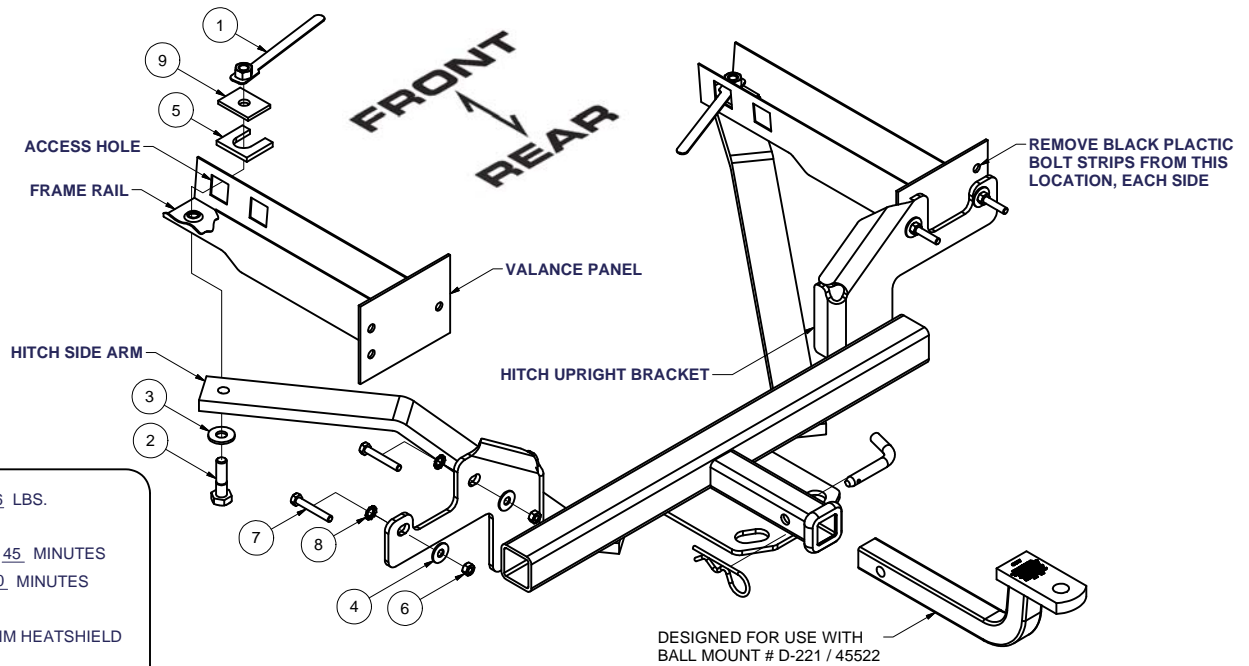
**WARNING: ALL NON-TRAILER LOADS APPLIED TO THIS PRODUCT MUST BE SUPPORTED BY AUXILIARY STABILIZING STRAPS.**

\*\* FAILURE TO PROPERLY SUPPORT NON-TRAILER LOADS WILL VOID PRODUCT WARRANTY\*\*

Parts List			
ITEM	QTY	PART NUMBER	DESCRIPTION
1	2	1/2-13	HANDLE NUT
2	2	1/2-13 x 2"	HEX BOLT
3	2	1/2"	CONICAL TOOTHED WASHER
4	4	3/8"	CONICAL TOOTHED WASHER
5	2	CM-SP31	.250 x 1.75 x 2.00" U-SHAPE SPACER
6	4	M8-1.25	HEX NUT
7	4	M8 - 1.25 x 55mm	HEX TAP BOLT
8	4	3/8 EXTERNAL TOOTHED LOCK WASHER	3/8 EXTERNAL TOOTHED WASHER
9	2	CM-SP32	.188 x 1.50 x 2.00" ROUND HOLE SPACER

THIS AREA OF HEAT SHIELD  
TO BE TRIMMED TO CLEAR  
HITCH SIDE ARM

HEAT SHIELD TRIM DETAIL



HITCH WEIGHT: 46 LBS.

INSTALL TIME

PROFESSIONAL: 45 MINUTES

NOVICE (DIY): 90 MINUTES

INSTALL NOTES:

-REMOVE AND TRIM HEATSHIELD

-NO DRILLING REQUIRED

**INSTALLATION STEPS**

- 1) Remove black plastic bumper mounting bolt strips by removing three nuts at rear surface of valance panel, two outboard, and one inboard of vehicle frame, each side.
- 2) Lower driver's side muffler by removing bolts connecting muffler hanger bracket to vehicle frame. On vehicles with dual exhaust, lower passenger's side muffler by removing one bolt from muffler hanger bracket, forward of muffler.
- 3) Remove exhaust heat shield above muffler on driver's side by removing five sheet metal screws. Trim heat shield as shown. **(Note: On vehicles with dual exhaust, passenger's side muffler does not have a heat shield.)**
- 4) Raise hitch into position, lining up holes in hitch upright brackets with holes in forward surface of vehicle valance panel. Install M8 fasteners through valance panel and hitch upright bracket, each side.
- 5) Install C-shaped block through square access hole on inboard side of frame and around existing hole, each side. Through the access hole install 1 1/2 x 2" block over C-shaped block then handle nut as shown, each side.
- 6) Install 1/2" hex bolt and conical toothed washer up through hitch side arm, existing hole in frame, spacer blocks and handle nuts previously installed.
- 7) Reinstall the trimmed exhaust heat shield from Step 3. **(Note: Restore exhaust heat shield to its original function or replace with a new shield if hitch is removed.)**
- 8) Reattach muffler(s) by reversing Step 2.
- 9) Torque M8 fasteners to 25 lb.-ft. Torque 1/2" fasteners to 75 lb.-ft.

PERIODICALLY CHECK THIS RECEIVER HITCH TO ENSURE THAT ALL FASTENERS  
ARE TIGHT AND THAT ALL STRUCTURAL COMPONENTS ARE SOUND.

Curt Manufacturing Inc., warrants this product to be free of defects in material and/or workmanship at the time of retail purchase by the original purchaser. If the product is found to be defective, Curt Manufacturing Inc., may repair or replace the product, at their option, when the product is returned, prepaid, with proof of purchase. Alteration to, misuse of, or improper installation of this product voids the warranty. Curt Manufacturing Inc.'s liability is limited to repair or replacement of products found to be defective, and specifically excludes liability for incidental or consequential loss or damage.