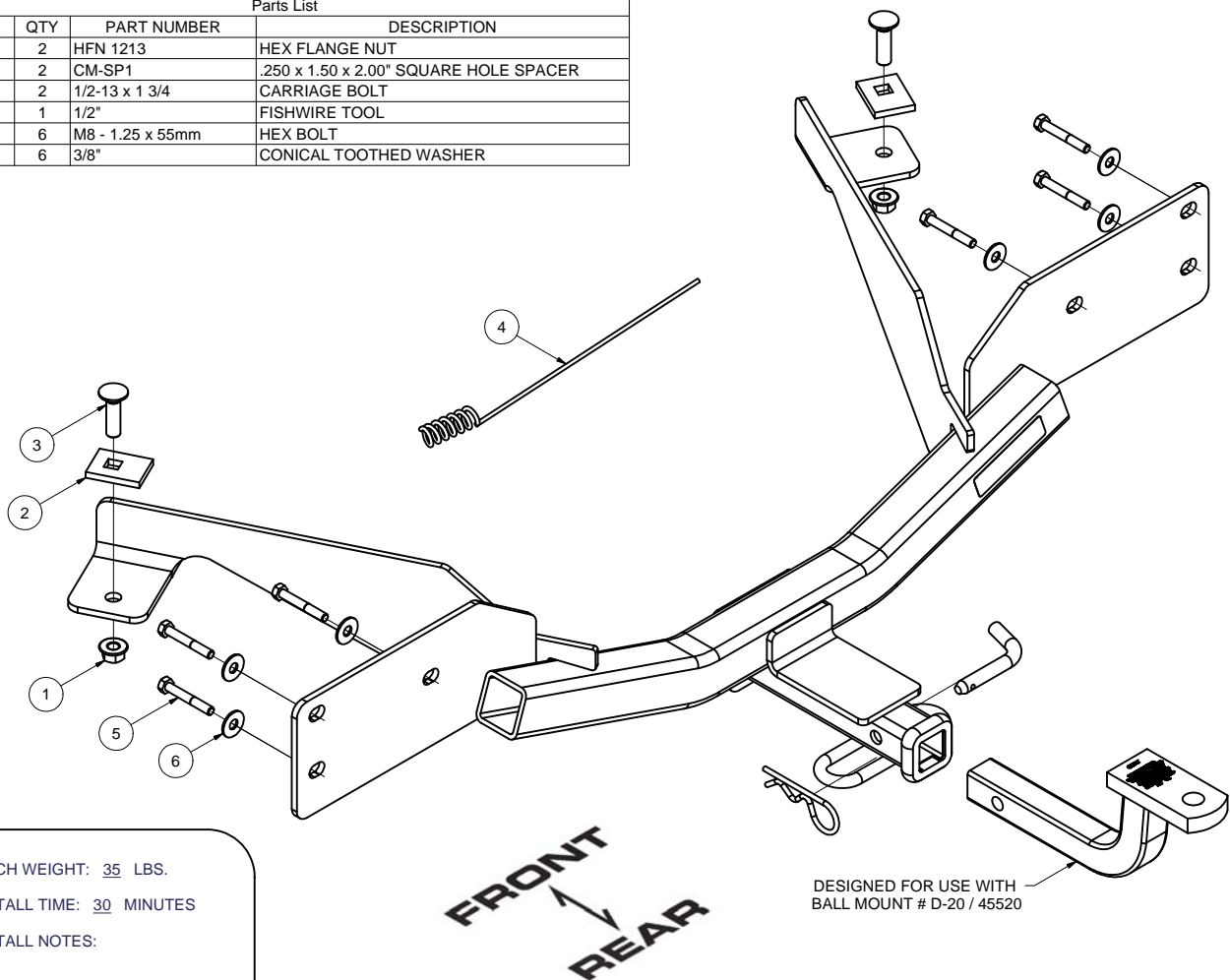


12028

00-07 CHEVY MONTE CARLO (EXCEPT SS PACKAGE)

GROSS LOAD CAPACITY WHEN USED AS A WEIGHT CARRYING HITCH: **3,500 LBS. TRAILER WEIGHT & 350 LBS. TONGUE WEIGHT**
*****DO NOT EXCEED VEHICLE MANUFACTURER'S RECOMMENDED TOWING CAPACITY***.**

Parts List			
ITEM	QTY	PART NUMBER	DESCRIPTION
1	2	HFN 1213	HEX FLANGE NUT
2	2	CM-SP1	.250 x 1.50 x 2.00" SQUARE HOLE SPACER
3	2	1/2-13 x 1 3/4	CARRIAGE BOLT
4	1	1/2"	FISHWIRE TOOL
5	6	M8 - 1.25 x 55mm	HEX BOLT
6	6	3/8"	CONICAL TOOTHED WASHER



HITCH WEIGHT: 35 LBS.

INSTALL TIME: 30 MINUTES

INSTALL NOTES:

INSTALLATION STEPS

- 1) LOWER VEHICLE EXHAUST
- 2) REMOVE THREE EXISTING BUMPER MOUNTING BOLTS FROM EACH SIDE AND RETURN TO VEHICLE OWNER.
- 3) INSERT HITCH BETWEEN BUMPER BRACKET AND FRAME RAIL. INSTALL SUPPLIED M8 FASTENERS AS SHOWN ABOVE.
- 4) FISHWIRE CARRIAGE BOLTS AND BLOCKS INTO FRAME RAILS THROUGH ACCESS HOLES.
- 5) INSTALL REMAINING FASTENERS AS SHOWN ABOVE, AND RAISE EXHAUST BACK INTO PLACE.
- 6) TORQUE ALL M8 FASTENERS TO 25 LB-FT. TORQUE ALL 1/2" FASTENERS TO 75 LB-FT.

PERIODICALLY CHECK THIS RECEIVER HITCH TO ENSURE THAT ALL FASTENERS ARE TIGHT AND THAT ALL STRUCTURAL COMPONENTS ARE SOUND.

Curt Manufacturing Inc., warrants this product to be free of defects in material or workmanship at the time of retail purchase by the original purchaser. If the product is found to be defective, Curt Manufacturing Inc., may repair or replace the product, at their option, when the product is returned, prepaid, with proof of purchase. Alteration to, misuse of, or improper installation of this product voids the warrant. Curt Manufacturing Inc.'s liability is limited to repair or replacement of products found to be defective, and specifically excludes liability for incidental or consequential loss or damage.