

11701 MERCEDES BENZ E SEDAN, WAGON (EXCL. SPORT EDITION)

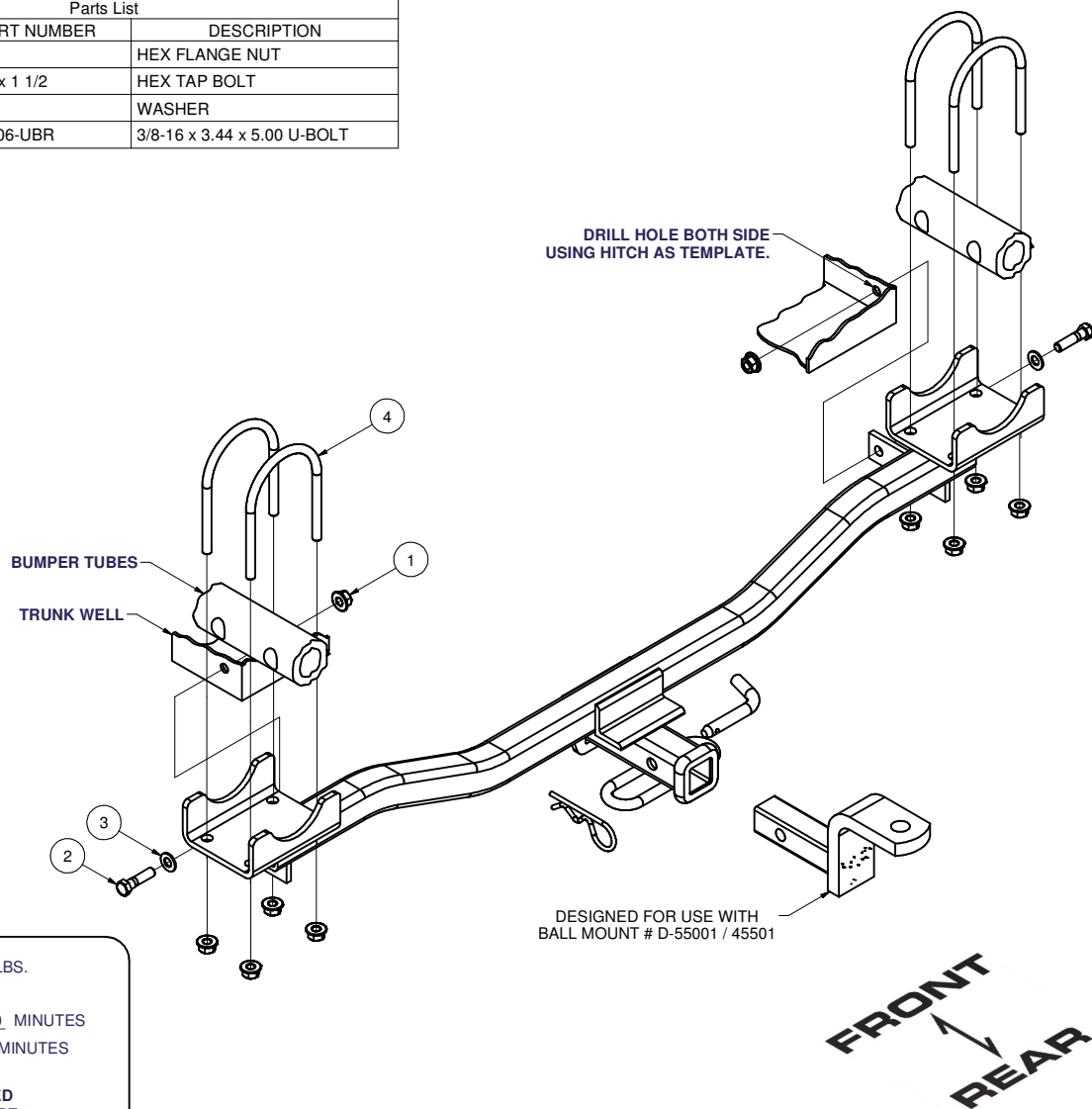
GROSS LOAD CAPACITY WHEN USED AS A WEIGHT CARRYING HITCH: 2,500 LBS. TRAILER WEIGHT & 250 LBS. TONGUE WEIGHT.

DO NOT EXCEED VEHICLE MANUFACTURER'S RECOMMENDED TOWING CAPACITY.

WARNING: ALL NON-TRAILER LOADS APPLIED TO THIS PRODUCT MUST BE SUPPORTED BY AUXILIARY STABILIZING STRAPS.

** FAILURE TO PROPERLY SUPPORT NON-TRAILER LOADS WILL VOID PRODUCT WARRANTY**

Parts List			
ITEM	QTY	PART NUMBER	DESCRIPTION
1	10	3/8-16	HEX FLANGE NUT
2	2	3/8-16 x 1 1/2	HEX TAP BOLT
3	2	3/8"	WASHER
4	4	CM-3806-UBR	3/8-16 x 3.44 x 5.00 U-BOLT



HITCH WEIGHT: 27 LBS.

INSTALL TIME

PROFESSIONAL: 30 MINUTES

NOVICE (DIY): 60 MINUTES

INSTALL NOTES:

- DRILLING REQUIRED
- REMOVE SPARE TIRE
- UNBOLT FASCIA TABS

INSTALLATION STEPS

1. Clear trunk well by removing tire and moving battery as far left as possible without disconnecting power cables.
2. Unbolt fascia tabs from body.
3. Fasten hitch to bumper tubes with U-bolts as shown.
4. Drill remaining mounting holes using hitch as a template. Install 3/8" hardware provided through drilled holes.
5. Torque all fasteners to 30 lb.-ft.

PERIODICALLY CHECK THIS RECEIVER HITCH TO ENSURE THAT ALL FASTENERS ARE TIGHT AND THAT ALL STRUCTURAL COMPONENTS ARE SOUND.

Curt Manufacturing Inc., warrants this product to be free of defects in material and/or workmanship at the time of retail purchase by the original purchaser. If the product is found to be defective, Curt Manufacturing Inc., may repair or replace the product, at their option, when the product is returned, prepaid, with proof of purchase. Alteration to, misuse of, or improper installation of this product voids the warranty. Curt Manufacturing Inc.'s liability is limited to repair or replacement of products found to be defective, and specifically excludes liability for incidental or consequential loss or damage.