

11666

84-87 MERCEDES 190 SEDAN

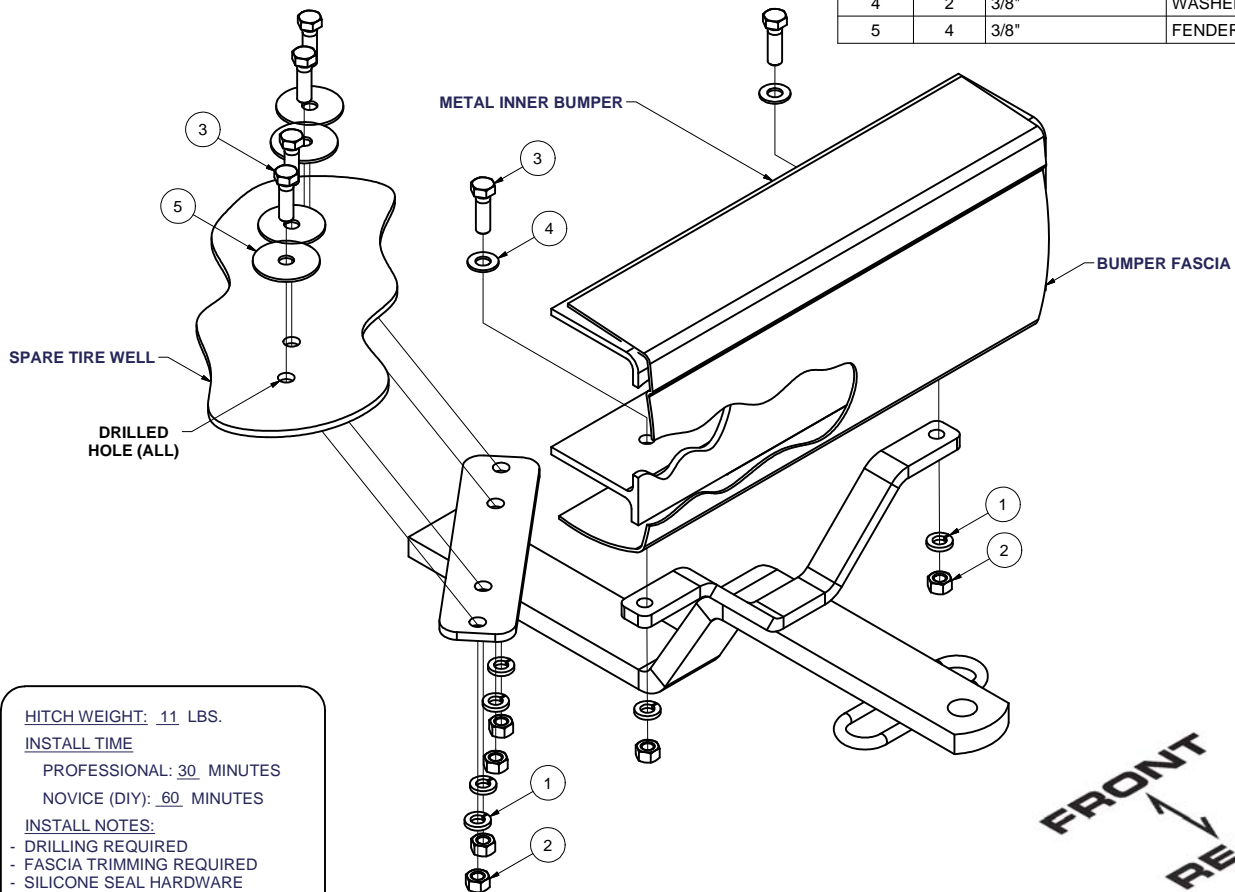
GROSS LOAD CAPACITY WHEN USED AS A WEIGHT CARRYING HITCH: 1,500 LBS. TRAILER WEIGHT & 150 LBS. TONGUE WEIGHT.

DO NOT EXCEED VEHICLE MANUFACTURER'S RECOMMENDED TOWING CAPACITY.

WARNING: ALL NON-TRAILER LOADS APPLIED TO THIS PRODUCT MUST BE SUPPORTED BY 18050 STABILIZING STRAPS.

** FAILURE TO PROPERLY SUPPORT NON-TRAILER LOADS WILL VOID PRODUCT WARRANTY**

Parts List			
ITEM	QTY	PART NUMBER	DESCRIPTION
1	6	3/8"	LOCK WASHER
2	6	3/8 - 16	HEX NUT
3	6	3/8 - 16 x 1 1/4	HEX BOLT
4	2	3/8"	WASHER
5	4	3/8"	FENDER WASHER



HITCH WEIGHT: 11 LBS.

INSTALL TIME

PROFESSIONAL: 30 MINUTES

NOVICE (DIY): 60 MINUTES

INSTALL NOTES:

- DRILLING REQUIRED
- FASCIA TRIMMING REQUIRED
- SILICONE SEAL HARDWARE
- TEMPORARILY REMOVE SPARE TIRE

INSTALLATION STEPS

1. Temporarily remove spare tire and clear the spare tire well for drilling. Cut away bumper fascia so the hitch fits against the metal inner bumper as shown, with enough hitch ball/bumper clearance. Make certain the hitch is centered and square on the vehicle.
2. Use the hitch as a template to mark metal inner bumper and spare tire well for hitch bolts. Centerpunch and drill holes at bumper and tire well for 3/8" diameter bolts.
3. Reposition the hitch on vehicle and attach using fasteners as shown. Be certain to use the fender washers inside the spare tire well, opposite the hitch.
4. Torque all 3/8" fasteners to 30 lb-ft.
5. Use silicone sealant to seal hardware installed through spare tire well.
6. Reinstall spare tire.

PERIODICALLY CHECK THIS RECEIVER HITCH TO ENSURE THAT ALL FASTENERS ARE TIGHT AND THAT ALL STRUCTURAL COMPONENTS ARE SOUND.

Curt Manufacturing Inc., warrants this product to be free of defects in material and/or workmanship at the time of retail purchase by the original purchaser. If the product is found to be defective, Curt Manufacturing Inc., may repair or replace the product, at their option, when the product is returned, prepaid, with proof of purchase. Alteration to, misuse of, or improper installation of this product voids the warranty. Curt Manufacturing Inc.'s liability is limited to repair or replacement of products found to be defective, and specifically excludes liability for incidental or consequential loss or damage.

Looking for dependable trailer hitches and towing? Rely on CURT for quality and long-lasting products.