

11539 92-94 NISSAN 240 SX CONVERTIBLE, 89-93 240 SX COUPE

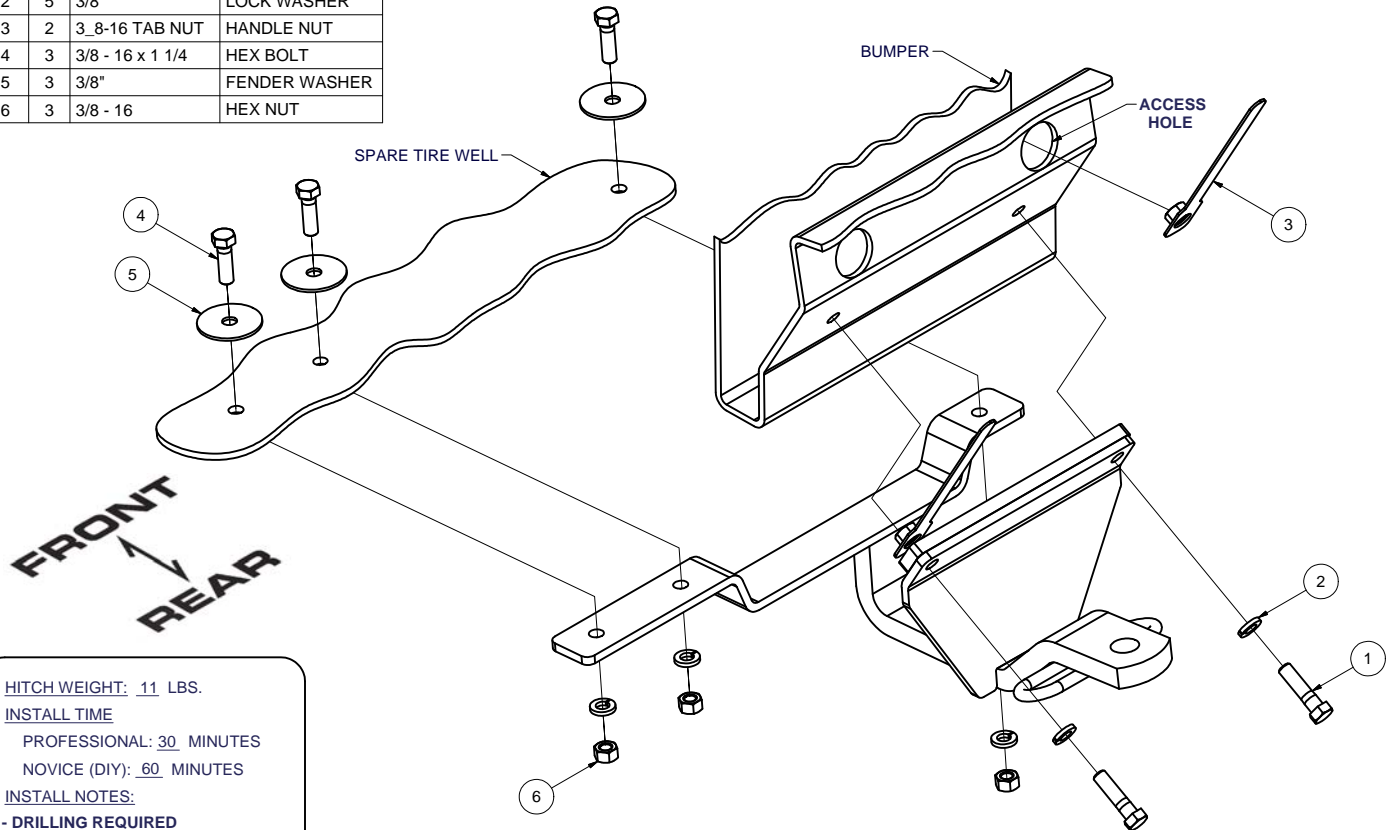
GROSS LOAD CAPACITY WHEN USED AS A WEIGHT CARRYING HITCH: 1,500 LBS. TRAILER WEIGHT & 150 LBS. TONGUE WEIGHT.

DO NOT EXCEED VEHICLE MANUFACTURER'S RECOMMENDED TOWING CAPACITY.

WARNING: ALL NON-TRAILER LOADS APPLIED TO THIS PRODUCT MUST BE SUPPORTED BY 18050 STABILIZING STRAPS.

** FAILURE TO PROPERLY SUPPORT NON-TRAILER LOADS WILL VOID PRODUCT WARRANTY**

Parts List			
ITEM	QTY	PART NUMBER	DESCRIPTION
1	2	3/8-16 X 1 1/2	HEX BOLT
2	5	3/8"	LOCK WASHER
3	2	3_8-16 TAB NUT	HANDLE NUT
4	3	3/8 - 16 x 1 1/4	HEX BOLT
5	3	3/8"	FENDER WASHER
6	3	3/8 - 16	HEX NUT



HITCH WEIGHT: 11 LBS.

INSTALL TIME

PROFESSIONAL: 30 MINUTES

NOVICE (DIY): 60 MINUTES

INSTALL NOTES:

- DRILLING REQUIRED
- TEMPORARILY REMOVE SPARE TIRE
- TEMPORARILY REMOVE LICENSE PLATE
- SILICONE SEAL HARDWARE

INSTALLATION STEPS

1. Temporarily remove the rear licence plate and spare tire. Hitch plate will bolt to vehicle bumper beam in licence plate recess area.
2. Locate vehicle centerline at rear bumper and support hitch on car centered and square. Using the hitch as a template, mark and drill bumper along with the spare tire well for 3/8" diameter bolts.
3. Bolts attaching the hitch plate to rear bumper are placed so retaining nuts are inside the bumper beam. These nuts have "handles" so they can be manipulated and placed inside the bumper through access holes as required. Fasten hitch to vehicle as shown.
4. Torque all 3/8" fasteners to 30 lb-ft.
5. Use silicone sealant to seal hardware installed through spare tire well.
6. Reinstall the licence plate and spare tire. Spacing or other modifications may be necessary to remount licence plate.

PERIODICALLY CHECK THIS RECEIVER HITCH TO ENSURE THAT ALL FASTENERS ARE TIGHT AND THAT ALL STRUCTURAL COMPONENTS ARE SOUND.

Curt Manufacturing Inc., warrants this product to be free of defects in material and/or workmanship at the time of retail purchase by the original purchaser. If the product is found to be defective, Curt Manufacturing Inc., may repair or replace the product, at their option, when the product is returned, prepaid, with proof of purchase. Alteration to, misuse of, or improper installation of this product voids the warranty. Curt Manufacturing Inc.'s liability is limited to repair or replacement of products found to be defective, and specifically excludes liability for incidental or consequential loss or damage.