

11365

JAGUAR XF SEDAN

GROSS LOAD CAPACITY WHEN USED AS A WEIGHT CARRYING HITCH: 2,000 LBS. TRAILER WEIGHT & 200 LBS. TONGUE WEIGHT.

DO NOT EXCEED VEHICLE MANUFACTURER'S RECOMMENDED TOWING CAPACITY.

WARNING: ALL NON-TRAILER LOADS APPLIED TO THIS PRODUCT MUST BE SUPPORTED BY AUXILIARY STABILIZING STRAPS.

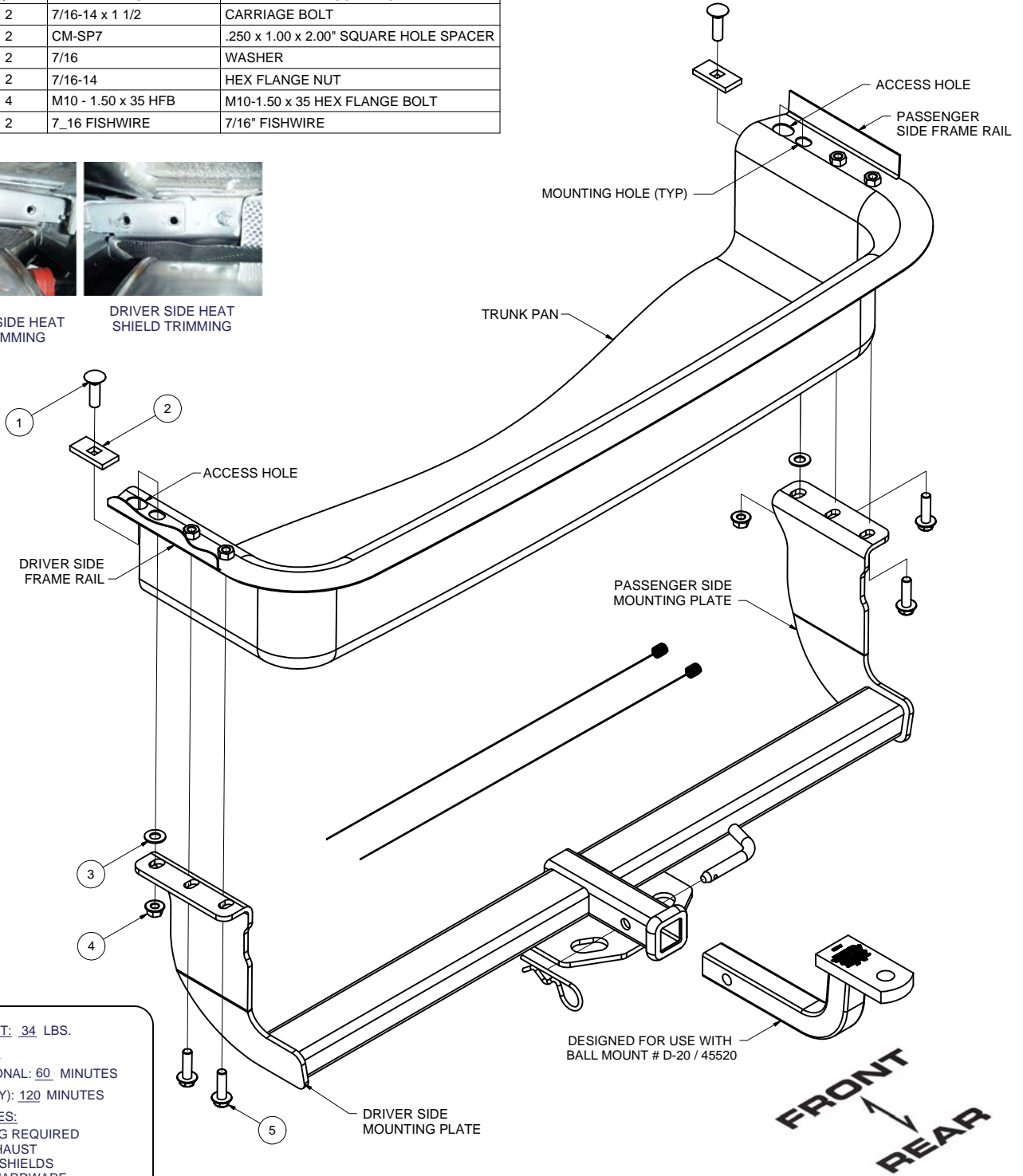
** FAILURE TO PROPERLY SUPPORT NON-TRAILER LOADS WILL VOID PRODUCT WARRANTY**

Parts List			
ITEM	QTY	PART NUMBER	DESCRIPTION
1	2	7/16-14 x 1 1/2	CARRIAGE BOLT
2	2	CM-SP7	.250 x 1.00 x 2.00" SQUARE HOLE SPACER
3	2	7/16	WASHER
4	2	7/16-14	HEX FLANGE NUT
5	4	M10 - 1.50 x 35 HFB	M10-1.50 x 35 HEX FLANGE BOLT
6	2	7_16 FISHWIRE	7/16" FISHWIRE



PASSENGER SIDE HEAT SHIELD TRIMMING

DRIVER SIDE HEAT SHIELD TRIMMING



HITCH WEIGHT: .34 LBS.

INSTALL TIME

PROFESSIONAL: 60 MINUTES

NOVICE (DIY): 120 MINUTES

INSTALL NOTES:

- NO DRILLING REQUIRED
- LOWER EXHAUST
- TRIM HEAT SHIELDS
- FISHWIRE HARDWARE

DESIGNED FOR USE WITH BALL MOUNT # D-20 / 45520

PERIODICALLY CHECK THIS RECEIVER HITCH TO ENSURE THAT ALL FASTENERS ARE TIGHT AND THAT ALL STRUCTURAL COMPONENTS ARE SOUND.

Curt Manufacturing Inc., warrants this product to be free of defects in material and/or workmanship at the time of retail purchase by the original purchaser. If the product is found to be defective, Curt Manufacturing Inc., may repair or replace the product, at their option, when the product is returned, prepaid, with proof of purchase. Alteration to, misuse of, or improper installation of this product voids the warranty. Curt Manufacturing Inc.'s liability is limited to repair or replacement of products found to be defective, and specifically excludes liability for incidental or consequential loss or damage.

TOOLS REQUIRED

11, 13 & 17mm SOCKETS

10" EXTENSION

RATCHET

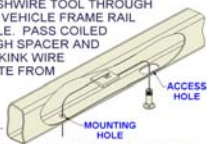
TORQUE WRENCH

TIN SNIPS

M10 X 1.50 TAP

FISHWIRE TECHNIQUE

INSERT COILED END OF FISHWIRE TOOL THROUGH HITCH MOUNTING HOLE IN VEHICLE FRAME RAIL AND OUT THE ACCESS HOLE. PASS COILED END OF FISHWIRE THROUGH SPACER AND THREAD BOLT INTO COIL. KINK WIRE TO KEEP SPACER SEPERATE FROM BOLT AS SHOWN. PULL FISHWIRE, SPACER, AND BOLT THROUGH FRAME AND OUT MOUNTING HOLE. USE FISHWIRE TO GUIDE HITCH DURING MOUNTING AND PREVENT LOSS OF BOLT / SPACER INSIDE FRAME RAIL.



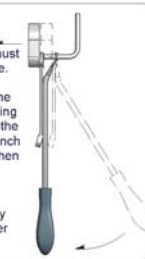
NOTE: SOME VEHICLES MAY FISHWIRE THROUGH END OF FRAME

RUBBER ISOLATOR REMOVAL DIAGRAM

This technique can be used if an Exhaust Hanger Removal Pliers is not available.

Using a 5/8" open end wrench, slide the wrench up to the rubber isolator, cradling the hanger rod as shown. Next place the flat edge of a pry bar between the wrench and the hanger stop or hanger rod. Then simply rotate the pry bar toward the wrench to remove the rubber isolator.

Note: Using a spray lubricant or soapy water on the hanger rod and the rubber isolator helps removal.

**INSTALLATION STEPS**

- 1) Lower exhaust by removing the (6) rubber isolators. (See Rubber Isolator Removal Diagram.)
- 2) Remove the heats shields and trim to clear hitch mount plates. (See Heat Shield Trimming photos.)
- 3) Fishwire a 7/16-14 carriage bolt and CM-SP7 spacer thru the access hole and out the mounting hole in each frame rail as shown. (See Fishwire Technique.)
- 4) Remove the (2) existing bolts in each frame support bracket.
- 5) Chase the threads of the weld nuts using a M10 x 1.50 tap.
- 6) Install the heat shields, raise the exhaust into place and install the (6) rubber isolators removed in Step 1.
- 7) Raise the hitch into place sandwiching a 7/16 flat washer between the hitch mount plate and frame rail on both sides at the location of the 7/16 carriage bolt installed in Step 3. Secure the hitch using the 7/16 hex flange nuts.
- 8) Install the M10-1.5 x 35mm hex flange bolts into the existing weld nuts.
- 9) Torque all 7/16 hardware to 50 lb. ft. Torque all M10 hardware to 35 lb. ft.

PERIODICALLY CHECK THIS RECEIVER HITCH TO ENSURE THAT ALL FASTENERS ARE TIGHT AND THAT ALL STRUCTURAL COMPONENTS ARE SOUND.

Curt Manufacturing Inc., warrants this product to be free of defects in material and/or workmanship at the time of retail purchase by the original purchaser. If the product is found to be defective, Curt Manufacturing Inc., may repair or replace the product, at their option, when the product is returned, prepaid, with proof of purchase. Alteration to, misuse of, or improper installation of this product voids the warranty. Curt Manufacturing Inc.'s liability is limited to repair or replacement of products found to be defective, and specifically excludes liability for incidental or consequential loss or damage.