

GROSS LOAD CAPACITY WHEN USED AS A WEIGHT CARRYING HITCH: 2,000 LBS. TRAILER WEIGHT & 200 LBS. TONGUE WEIGHT.

DO NOT EXCEED VEHICLE MANUFACTURER'S RECOMMENDED TOWING CAPACITY.

WARNING: ALL NON-TRAILER LOADS APPLIED TO THIS PRODUCT MUST BE SUPPORTED BY AUXILIARY STABILIZING STRAPS.

** FAILURE TO PROPERLY SUPPORT NON-TRAILER LOADS WILL VOID PRODUCT WARRANTY**

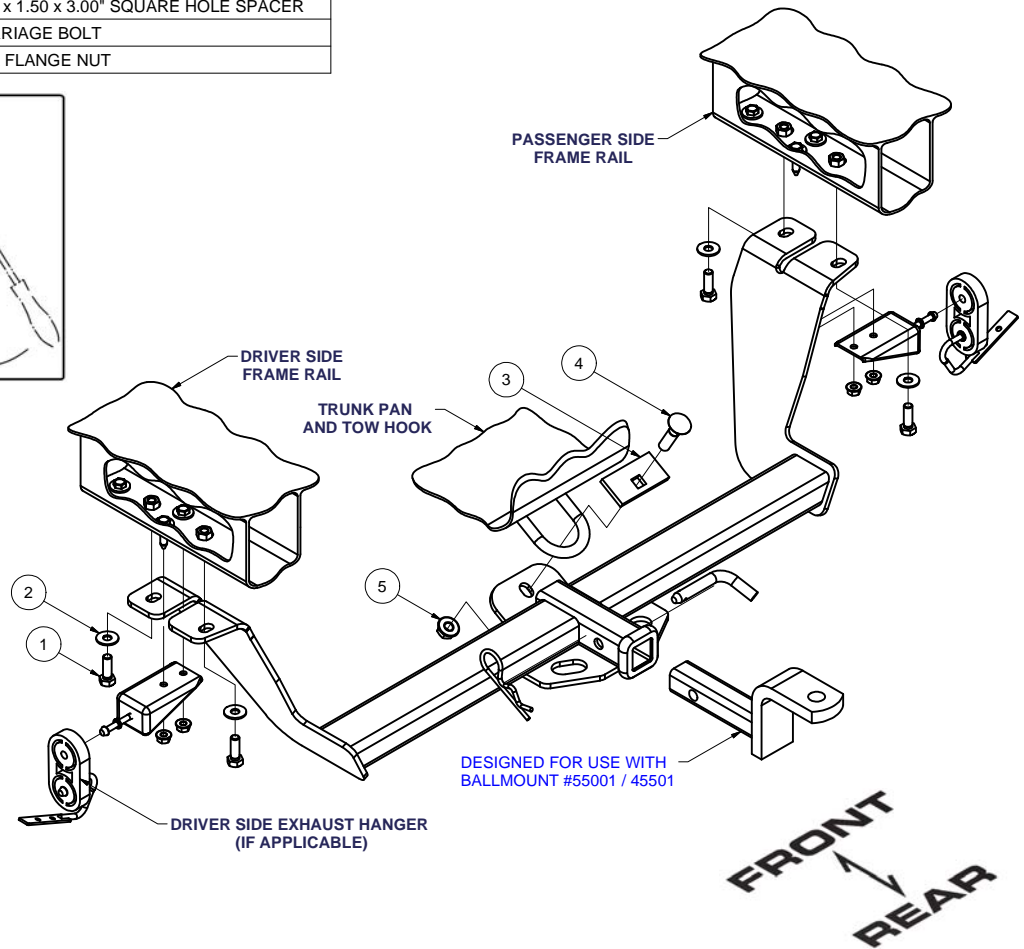
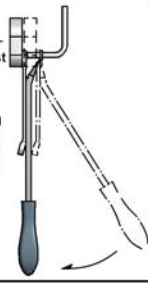
| Parts List | | | |
|------------|-----|-----------------|--|
| ITEM | QTY | PART NUMBER | DESCRIPTION |
| 1 | 4 | M10 - 1.25 x 30 | HEX TAP BOLT |
| 2 | 4 | 3/8" | CONICAL TOOTHED WASHER |
| 3 | 1 | CM-SP53 | .250 x 1.50 x 3.00" SQUARE HOLE SPACER |
| 4 | 1 | 1/2 - 13 x 2" | CARRIAGE BOLT |
| 5 | 1 | HFN 1213 | HEX FLANGE NUT |

RUBBER ISOLATOR REMOVAL DIAGRAM

This technique can be used if and Exhaust Hanger Removal Pliers is not available.

Using a 5/8" open end wrench, slide the wrench up to the rubber isolator, cradling the hanger rod as shown. Next place the flat edge of a pry bar between the wrench and the hanger stop or hanger rod. Then simply rotate the pry bar toward the wrench to remove the rubber isolator.

Note: Using a spray lubricant or soapy water on the hanger rod and the rubber isolator helps removal.



HITCH WEIGHT: 28 LBS.

INSTALL TIME

PROFESSIONAL: 20 MINUTES

NOVICE (DIY): 40 MINUTES

INSTALL NOTES:

NO DRILLING REQUIRED

INSTALLATION STEPS

- 1) Remove round adhesive backed hole covers from the frame rails where hitch will be mounted.
- 2) Lower the passenger and driver side side exhaust. It may be necessary to also detach the exhaust hanger located near the rear axle of the car.
- 3) Place supplied spacer on top of the existing tow loop located near the midline of the car. Position the hitch in place under the vehicle's tow loop. Insert the 1/2" carriage bolt from the top and secure as shown.
- 4) Install 10mm fasteners and conical toothed washers through side plates as shown. Reinstall exhaust hangers.
- 5) Trim heat shield to ensure the hitch mounting plates lay flat against the frame rails. (both sides if necessary)
- 6) Torque all 10mm fasteners to 35 lb-ft, and 1/2" fastener to 75 lb-ft.

PERIODICALLY CHECK THIS RECEIVER HITCH TO ENSURE THAT ALL FASTENERS ARE TIGHT AND THAT ALL STRUCTURAL COMPONENTS ARE SOUND.

Curt Manufacturing Inc., warrants this product to be free of defects in material and/or workmanship at the time of retail purchase by the original purchaser. If the product is found to be defective, Curt Manufacturing Inc., may repair or replace the product, at their option, when the product is returned, prepaid, with proof of purchase. Alteration to, misuse of, or improper installation of this product voids the warranty. Curt Manufacturing Inc.'s liability is limited to repair or replacement of products found to be defective, and specifically excludes liability for incidental or consequential loss or damage.