

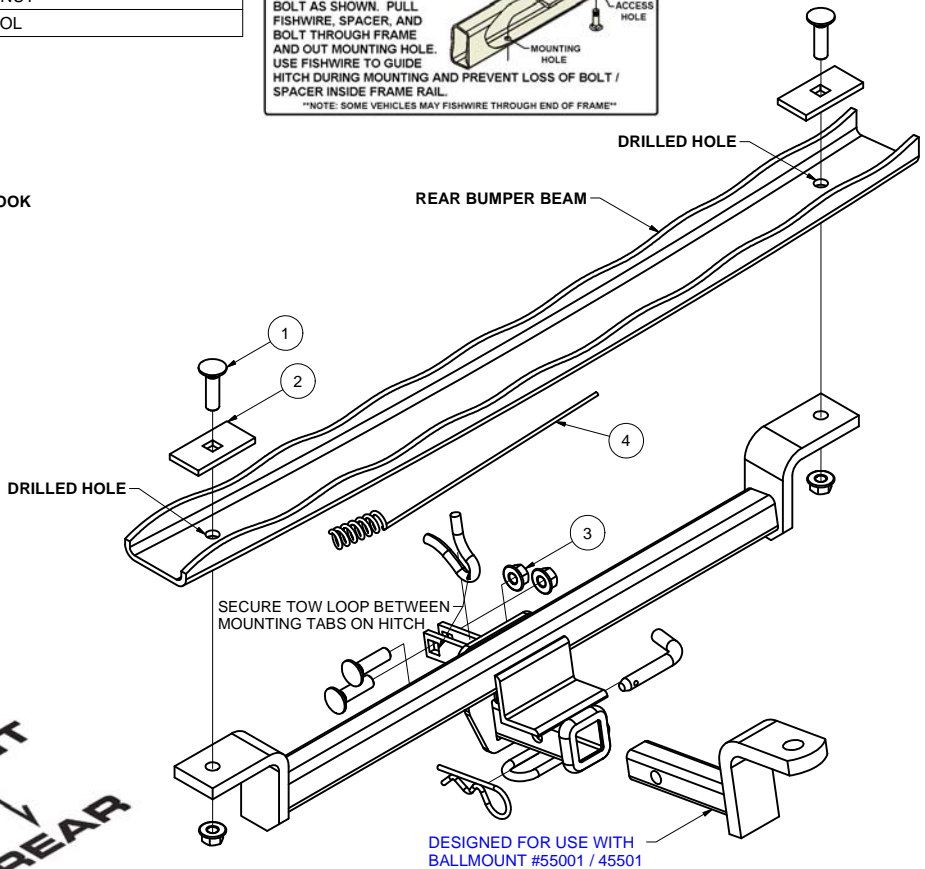
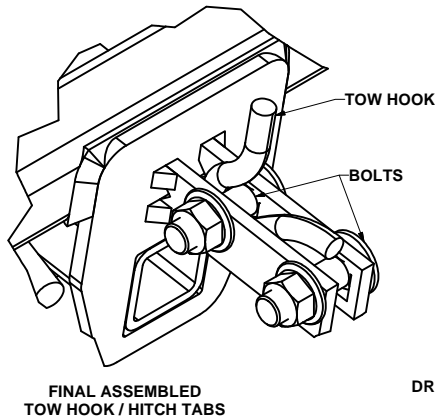
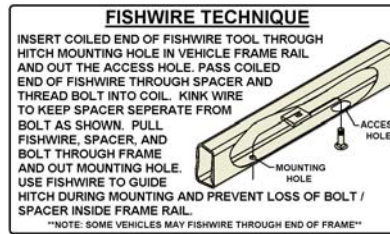
GROSS LOAD CAPACITY WHEN USED AS A WEIGHT CARRYING HITCH: 2000 LBS. TRAILER WEIGHT & 200 LBS. TONGUE WEIGHT.

DO NOT EXCEED VEHICLE MANUFACTURER'S RECOMMENDED TOWING CAPACITY.

WARNING: ALL NON-TRAILER LOADS APPLIED TO THIS PRODUCT MUST BE SUPPORTED BY AUXILIARY STABILIZING STRAPS.

** FAILURE TO PROPERLY SUPPORT NON-TRAILER LOADS WILL VOID PRODUCT WARRANTY**

Parts List			
ITEM	QTY	PART NUMBER	DESCRIPTION
1	4	1/2-13 x 1 3/4	CARRIAGE BOLT
2	2	CM-SP4	.250 x 1.50 x 3.00" SQUARE HOLE SPACER
3	4	HFN 1213	HEX FLANGE NUT
4	1	1/2"	FISHWIRE TOOL



NOTE:
MAY REQUIRE BUMPER FASCIA TRIMMING FOR HITCH CLEARANCE

HITCH WEIGHT: 20 LBS.

INSTALL TIME

PROFESSIONAL: 60 MINUTES

NOVICE (DIY): 120 MINUTES

INSTALL NOTES:

- DRILLING REQUIRED
- FASCIA TAB REMOVAL REQUIRED
- TRIM BUMPER FASCIA AS NEEDED

INSTALLATION STEPS

- 1) Remove (10) plastic fascia fasteners. (re-use later)
- 2) Raise hitch into position by pulling down on fascia and positioning hitch behind bumper cover.
- 3) Center hitch by placing towhook between hitch mounting tabs. Secure using a 1/2" carriage bolt and flange nut.
- 4) Using hitch as a template, mark and drill (2) 1/2" holes through bumper beam.
- 5) Fishwire 1/2" bolts and spacers from ends of bumper beam, through drilled holes and hitch. Secure with flange nuts as shown.
- 6) Torque all 1/2" fasteners to 75 lb-ft.
- 7) Reinstall plastic fascia fasteners removed in step (1).

PERIODICALLY CHECK THIS RECEIVER HITCH TO ENSURE THAT ALL FASTENERS ARE TIGHT AND THAT ALL STRUCTURAL COMPONENTS ARE SOUND.

Curt Manufacturing Inc., warrants this product to be free of defects in material and/or workmanship at the time of retail purchase by the original purchaser. If the product is found to be defective, Curt Manufacturing Inc., may repair or replace the product, at their option, when the product is returned, prepaid, with proof of purchase. Alteration to, misuse of, or improper installation of this product voids the warranty. Curt Manufacturing Inc.'s liability is limited to repair or replacement of products found to be defective, and specifically excludes liability for incidental or consequential loss or damage.