

11318 / 24710

('93-'07) SUBARU IMPREZA, ('02-'07) WRX,
('05-'07) OUTBACK SPORT & ('05-'06) SAAB 9-2X

GROSS LOAD CAPACITY WHEN USED AS A WEIGHT CARRYING HITCH: 2000 LBS. TRAILER WEIGHT & 200 LBS. TONGUE WEIGHT.
DO NOT EXCEED VEHICLE MANUFACTURER'S RECOMMENDED TOWING CAPACITY.

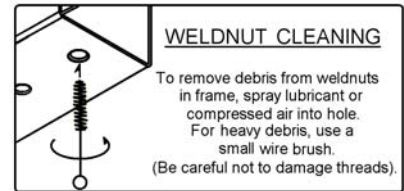
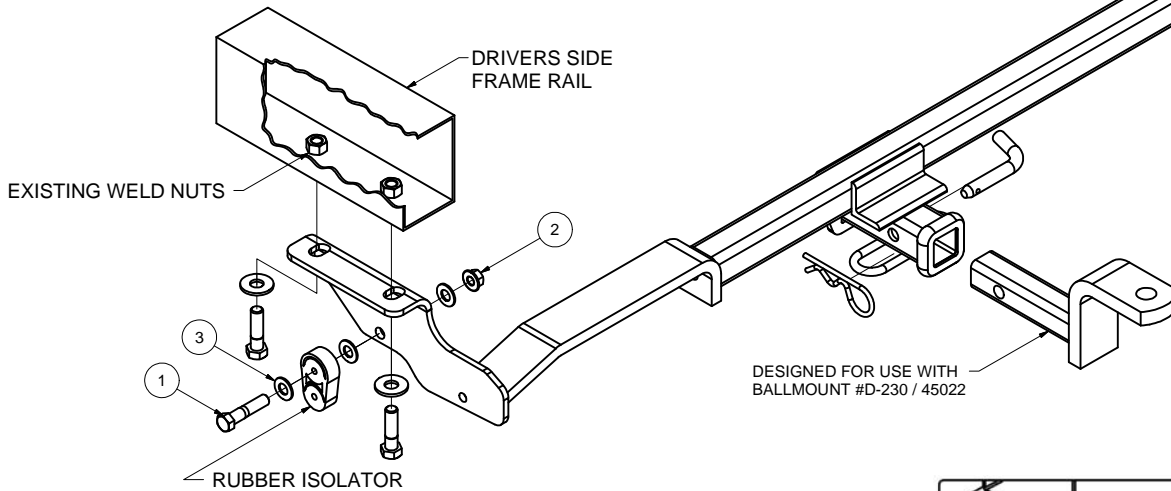
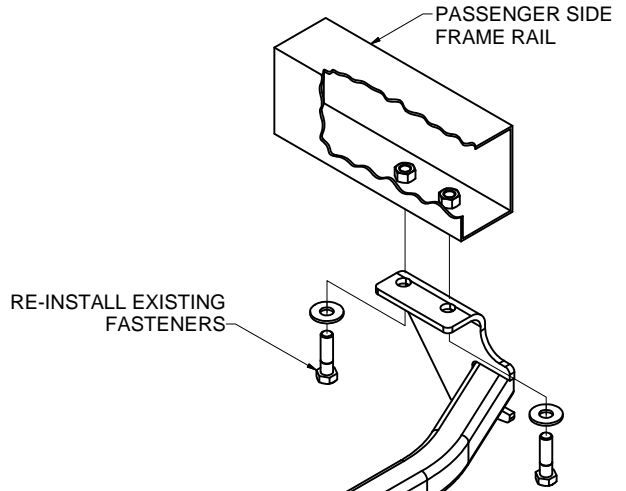
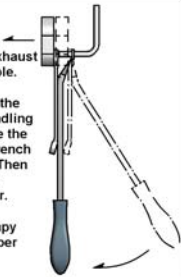
Parts List			
ITEM	QTY	PART NUMBER	DESCRIPTION
1	1	7/16-14 x 2.00"	HEX BOLT
2	1	7/16-14	HEX FLANGE NUT
3	3	7/16	WASHER

**RUBBER ISOLATOR
REMOVAL DIAGRAM**

This technique can be used if and Exhaust Hanger Removal Pliers is not available.

Using a 5/8" open end wrench, slide the wrench up to the rubber isolator, cradling the hanger rod as shown. Next place the flat edge of a pry bar between the wrench and the hanger stop or hanger rod. Then simply rotate the pry bar toward the wrench to remove the rubber isolator.

Note: Using a spray lubricant or soapy water on the hanger rod and the rubber isolator helps removal.



WELD NUT CLEANING

To remove debris from weldnuts in frame, spray lubricant or compressed air into hole. For heavy debris, use a small wire brush. (Be careful not to damage threads).

- HITCH WEIGHT: 25 LBS.
 INSTALL TIME: 30 MINUTES
 INSTALL NOTES:
 - NO DRILLING REQUIRED
 - LOWER EXHAUST

INSTALLATION STEPS

- 1) Remove tie down brackets from bottom of frame rails and rear exhaust hanger on driver side.
- 2) Trim rear bumper fascia as needed to provide clearance for driver side mounting plate (approximately 1/2" x 1/2" area). Using existing fasteners mount hitch to frame rail as shown.
- 3) Remove metal exhaust hanger bracket from rubber isolator. Isolator will fasten directly to hitch side plate using fasteners provided. Tubular spacer in isolator should be returned to customer.
- 4) Torque M12 hardware to 62 lb.-ft. and 7/16 hardware to 50 lb.-ft.

PERIODICALLY CHECK THIS RECEIVER HITCH TO ENSURE THAT ALL FASTENERS ARE TIGHT AND THAT ALL STRUCTURAL COMPONENTS ARE SOUND.

Curt Manufacturing Inc., warrants this product to be free of defects in material and/or workmanship at the time of retail purchase by the original purchaser. If the product is found to be defective, Curt Manufacturing Inc., may repair or replace the product, at their option, when the product is returned, prepaid, with proof of purchase. Alteration to, misuse of, or improper installation of this product voids the warranty. Curt Manufacturing Inc.'s liability is limited to repair or replacement of products found to be defective, and specifically excludes liability for incidental or consequential loss or damage.