

11308

## 03-05 MAZDA 6 &amp; MAZDA 6 SPORT WAGON

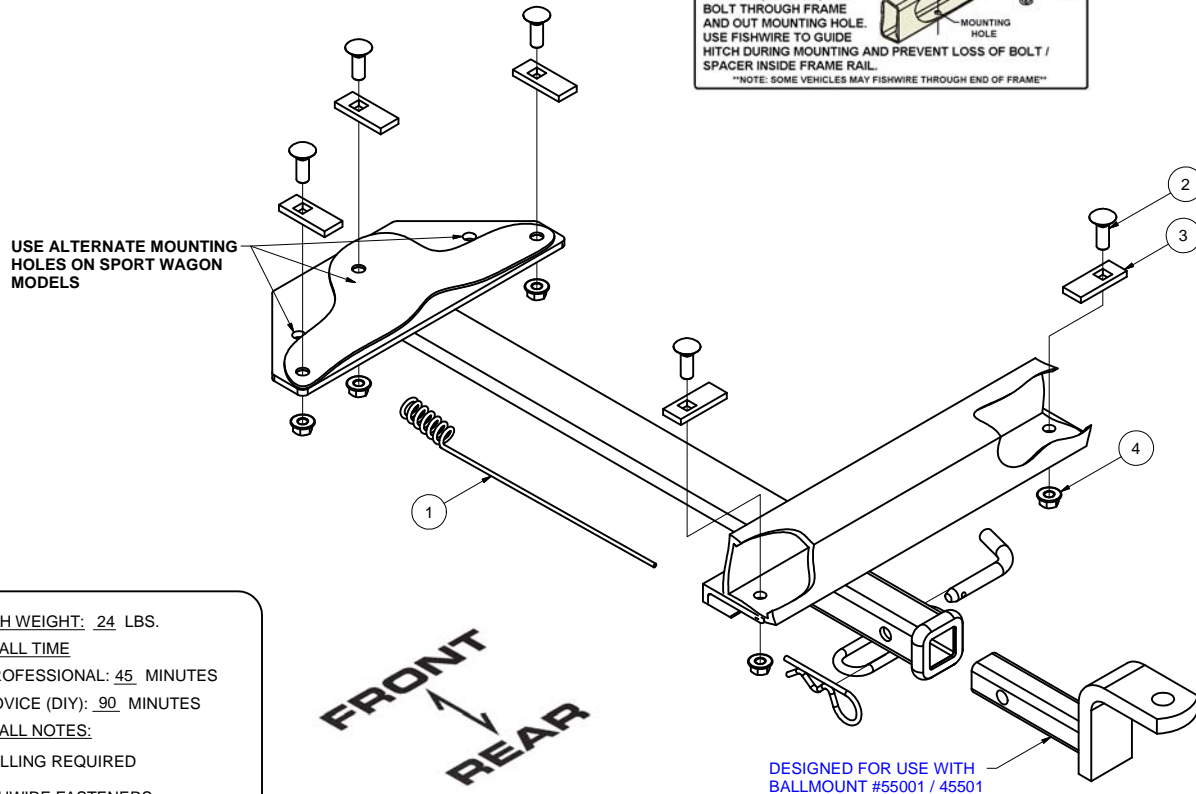
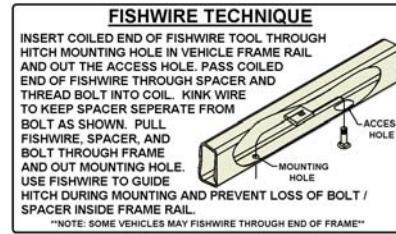
**GROSS LOAD CAPACITY WHEN USED AS A WEIGHT CARRYING HITCH: 2,000 LBS. TRAILER WEIGHT & 200 LBS. TONGUE WEIGHT.**

\*\*\*DO NOT EXCEED VEHICLE MANUFACTURER'S RECOMMENDED TOWING CAPACITY.\*\*\*

**WARNING: ALL NON-TRAILER LOADS APPLIED TO THIS PRODUCT MUST BE SUPPORTED BY AUXILIARY STABILIZING STRAPS.**

\*\* FAILURE TO PROPERLY SUPPORT NON-TRAILER LOADS WILL VOID PRODUCT WARRANTY\*\*

Parts List				
ITEM	QTY	PART NUMBER	DESCRIPTION	
1	1	CM-438-FW	7/16" FISHWIRE TOOL	
2	5	7/16-14 x 1 1/4	CARRIAGE BOLT	
3	5	CM-SP2	.250 x .88 x 2.25" SQUARE HOLE SPACER	
4	5	7/16-14	HEX FLANGE NUT	



HITCH WEIGHT: 24 LBS.

**INSTALL TIME**

PROFESSIONAL: 45 MINUTES

NOVICE (DIY): 90 MINUTES

**INSTALL NOTES:**

-DRILLING REQUIRED

-FISHWIRE FASTENERS

## INSTALLATION STEPS

- 1) Remove center section of exhaust shield and carpet from inside the trunk for drilling, replace later.
- 2) Fishwire carriage bolts and spacers through ends of bumper beam and out existing holes, as shown.
- 3) Raise hitch into position and secure with flange nuts, finger tighten.
- 4) Using hitch as a template, mark and center punch front mounting holes.
- 5) Lower hitch and drill center punched locations using a 1/2" drill.
- 6) Raise hitch into position over carriage bolts and secure with flange nuts, as shown.
- 7) Torque all 7/16" fasteners to 50 lb-ft.
- 8) Reinstall heat shield and carpet removed in step one.

PERIODICALLY CHECK THIS RECEIVER HITCH TO ENSURE THAT ALL FASTENERS ARE TIGHT AND THAT ALL STRUCTURAL COMPONENTS ARE SOUND.

Curt Manufacturing Inc., warrants this product to be free of defects in material and/or workmanship at the time of retail purchase by the original purchaser. If the product is found to be defective, Curt Manufacturing Inc., may repair or replace the product, at their option, when the product is returned, prepaid, with proof of purchase. Alteration to, misuse of, or improper installation of this product voids the warranty. Curt Manufacturing Inc.'s liability is limited to repair or replacement of products found to be defective, and specifically excludes liability for incidental or consequential loss or damage.