

11290 98-07 HONDA ACCORD (INC. HYBRID), 99-03 ACURA 2.5 & 3.2 TL & 01-03 ALL CL, 04-08 ACURA TL

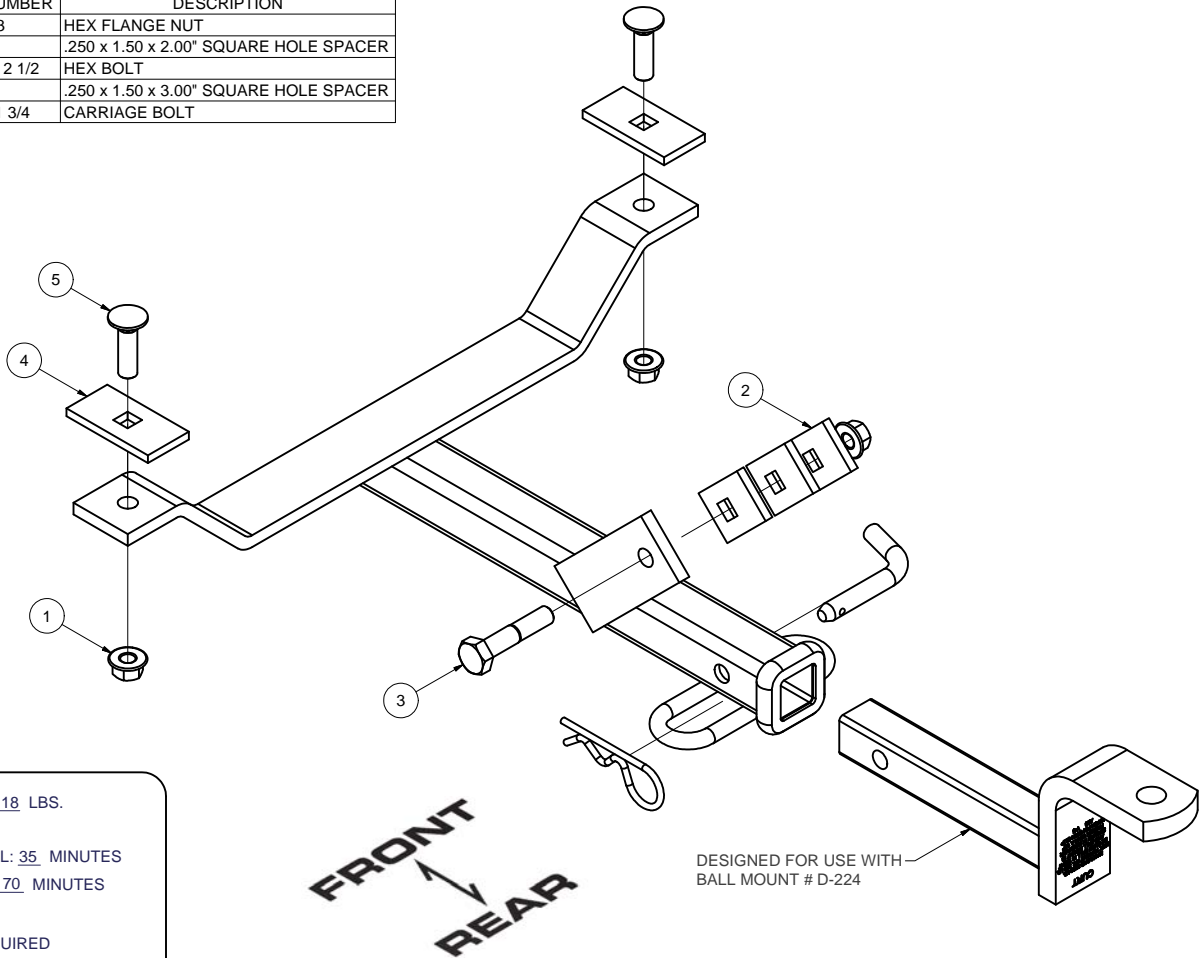
GROSS LOAD CAPACITY WHEN USED AS A WEIGHT CARRYING HITCH: 2,000 LBS. TRAILER WEIGHT & 200 LBS. TONGUE WEIGHT.

DO NOT EXCEED VEHICLE MANUFACTURER'S RECOMMENDED TOWING CAPACITY.

WARNING: ALL NON-TRAILER LOADS APPLIED TO THIS PRODUCT MUST BE SUPPORTED BY AUXILIARY STABILIZING STRAPS.

** FAILURE TO PROPERLY SUPPORT NON-TRAILER LOADS WILL VOID PRODUCT WARRANTY**

Parts List			
ITEM	QTY	PART NUMBER	DESCRIPTION
1	3	HFN 1213	HEX FLANGE NUT
2	3	CM-SP1	.250 x 1.50 x 2.00" SQUARE HOLE SPACER
3	1	1/2 - 13 x 2 1/2	HEX BOLT
4	2	CM-SP4	.250 x 1.50 x 3.00" SQUARE HOLE SPACER
5	2	1/2-13 x 1 3/4	CARRIAGE BOLT



HITCH WEIGHT: 18 LBS.

INSTALL TIME

PROFESSIONAL: 35 MINUTES

NOVICE (DIY): 70 MINUTES

INSTALL NOTES:

- DRILLING REQUIRED
- UNINSTALL/INSTALL SPARE TIRE

INSTALLATION STEPS

- 1) REMOVE SPARE TIRE FROM TRUNK.
- 2) ATTACH HITCH TO TOW HOOK WITH ATTACHMENT POINT NEAREST END OF RECEIVER TUBE. TWO SPACERS ON DRIVER SIDE OF HOOK, AND ONE ON THE PASSENGER SIDE OF HOOK, BOLTED TOGETHER WITH 1/2" x 2 1/2 LG. BOLT
- 3) USING HITCH AS TEMPLATE, DRILL TWO 1/2" HOLES IN TRUNK PAN.
- 4) INSTALL 1/2-13 BOLTS, BLOCKS, LOCK WASHERS AND NUTS AS SHOWN ABOVE.
- 5) SEAL HOLES DRILLED IN TRUNK PAN TO PREVENT INTRUSION OF EXHAUST FUMES AND WATER.
- 6) REINSTALL SPARE TIRE IN TRUNK.
- 7) TORQUE ALL 1/2" FASTENERS TO 75 LB.-FT.

PERIODICALLY CHECK THIS RECEIVER HITCH TO ENSURE THAT ALL FASTENERS ARE TIGHT AND THAT ALL STRUCTURAL COMPONENTS ARE SOUND.

Curt Manufacturing Inc., warrants this product to be free of defects in material and/or workmanship at the time of retail purchase by the original purchaser. If the product is found to be defective, Curt Manufacturing Inc., may repair or replace the product, at their option, when the product is returned, prepaid, with proof of purchase. Alteration to, misuse of, or improper installation of this product voids the warranty. Curt Manufacturing Inc.'s liability is limited to repair or replacement of products found to be defective, and specifically excludes liability for incidental or consequential loss or damage.