

11239

1983 - 1992 MAZDA 626

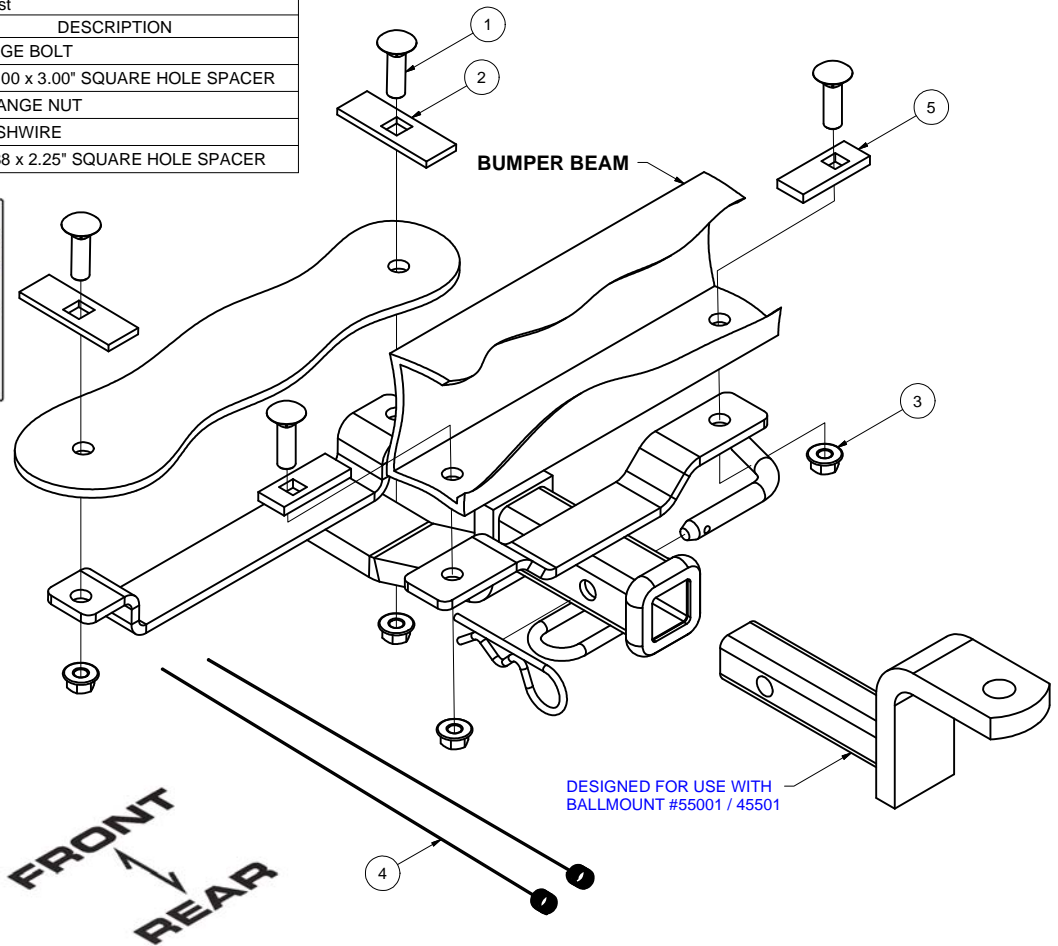
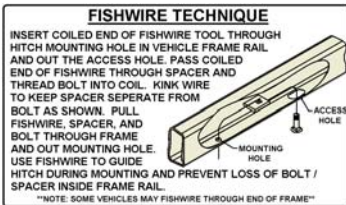
GROSS LOAD CAPACITY WHEN USED AS A WEIGHT CARRYING HITCH: 2,000 LBS. TRAILER WEIGHT & 200 LBS. TONGUE WEIGHT.

DO NOT EXCEED VEHICLE MANUFACTURER'S RECOMMENDED TOWING CAPACITY.

WARNING: ALL NON-TRAILER LOADS APPLIED TO THIS PRODUCT MUST BE SUPPORTED BY AUXILIARY STABILIZING STRAPS.

** FAILURE TO PROPERLY SUPPORT NON-TRAILER LOADS WILL VOID PRODUCT WARRANTY**

Parts List				
ITEM	QTY	PART NUMBER	DESCRIPTION	
1	4	7/16-14 x 1 1/2	CARRIAGE BOLT	
2	2	CM-SP40	.188 x 1.00 x 3.00" SQUARE HOLE SPACER	
3	4	7/16-14	HEX FLANGE NUT	
4	2	7_16 FISHWIRE	7/16" FISHWIRE	
5	2	CM-SP2	.250 x .88 x 2.25" SQUARE HOLE SPACER	



HITCH WEIGHT: 12 LBS.

INSTALL TIME

PROFESSIONAL: 20 MINUTES

NOVICE (DIY): 40 MINUTES

INSTALL NOTES:

- DRILLING REQUIRED
- FASCIA TRIMMING REQUIRED

INSTALLATION STEPS

1. Remove the spare tire from the tire well. Remove the (9) screws at bumper bottom holding rear bumper fascia in place.
2. With hitch ball mount in place, position hitch on vehicle centered and squared with the car. Check for sufficient hitch ball/bumper clearance. Trim fascia material where hitch bumper bracket meets bumper; bracket must mount directly to steel bumper beam.
3. Using the hitch as your template, drill (2) holes into the tire well and (2) holes into the bumper beam.
4. **FOR MODELS 1983-87:** Fishwire and install the fasteners into bumper beam at existing access holes in the bottom of the beam just outward from attachment holes.
FOR MODELS 1988-92: Bumpers have no access holes. Fishwire and install hardware through openings at each end of bumper beam. Fascia molding can be loosened for additional clearance.
5. Position hitch on car being careful not to push carriage bolts out of place. Install hardware as shown.
6. Torque all hardware to 50 ft-lbs.

PERIODICALLY CHECK THIS RECEIVER HITCH TO ENSURE THAT ALL FASTENERS ARE TIGHT AND THAT ALL STRUCTURAL COMPONENTS ARE SOUND.

Curt Manufacturing Inc., warrants this product to be free of defects in material and/or workmanship at the time of retail purchase by the original purchaser. If the product is found to be defective, Curt Manufacturing Inc., may repair or replace the product, at their option, when the product is returned, prepaid, with proof of purchase. Alteration to, misuse of, or improper installation of this product voids the warranty. Curt Manufacturing Inc.'s liability is limited to repair or replacement of products found to be defective, and specifically excludes liability for incidental or consequential loss or damage.