

11209

92-00 HONDA CIVIC COUPE / HATCHBACK

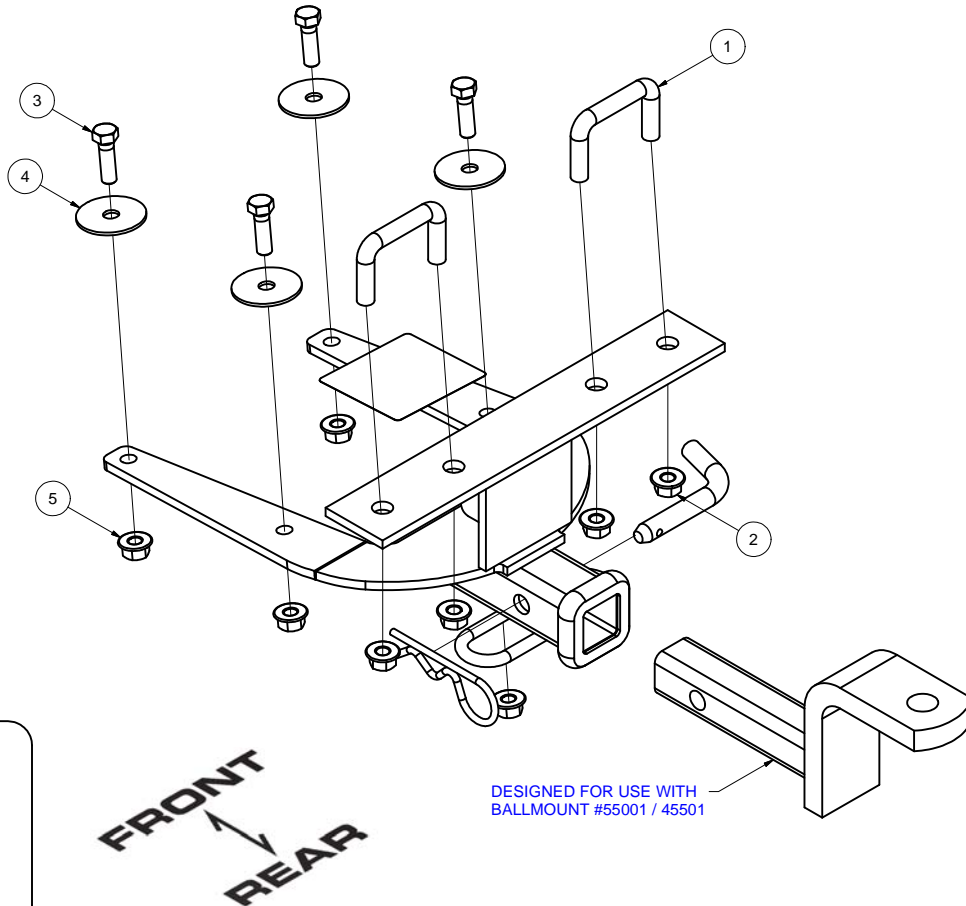
GROSS LOAD CAPACITY WHEN USED AS A WEIGHT CARRYING HITCH: 2000 LBS. TRAILER WEIGHT & 200 LBS. TONGUE WEIGHT.

DO NOT EXCEED VEHICLE MANUFACTURER'S RECOMMENDED TOWING CAPACITY.

WARNING: ALL NON-TRAILER LOADS APPLIED TO THIS PRODUCT MUST BE SUPPORTED BY AUXILIARY STABILIZING STRAPS.

** FAILURE TO PROPERLY SUPPORT NON-TRAILER LOADS WILL VOID PRODUCT WARRANTY**

Parts List			
ITEM	QTY	PART NUMBER	DESCRIPTION
1	2	7/16-14 x 1.63 x 2.50 C-C	SQ. U-BOLT
2	4	7/16-14	HEX FLANGE NUT
3	4	3/8 - 16 x 1 1/4	HEX BOLT
4	4	3/8"	FENDER WASHER
5	4	HFN3816	HEX FLANGE NUT



HITCH WEIGHT: 10 LBS.

INSTALL TIME

PROFESSIONAL: 20 MINUTES

NOVICE (DIY): 40 MINUTES

INSTALL NOTES:

DRILLING REQUIRED

INSTALLATION STEPS

- 1) Temporarily remove spare tire. Notch bumper fascia to clear vertical section of hitch.
- 2) Hold the hitch in position on tire well and bottom of bumper beam as shown, centered and square on car. Mark all eight holes on bottom of car, four on bumper beam, four on tire well.
- 3) Center punch and drill 1/2" holes in bumper beam and 3/8" holes in tire well.
- 4) Work two square U-bolts into bumper beam, by putting one end of the U-bolt in a hole and working the bolt through the hole until the other end comes out of the adjacent drilled hole. Install fasteners as shown.
- 5) Torque all 3/8" hardware to 30 lb.-ft. and all 7/16" hardware to 50 lb.-ft.

PERIODICALLY CHECK THIS RECEIVER HITCH TO ENSURE THAT ALL FASTENERS ARE TIGHT AND THAT ALL STRUCTURAL COMPONENTS ARE SOUND.

Curt Manufacturing Inc., warrants this product to be free of defects in material and/or workmanship at the time of retail purchase by the original purchaser. If the product is found to be defective, Curt Manufacturing Inc., may repair or replace the product, at their option, when the product is returned, prepaid, with proof of purchase. Alteration to, misuse of, or improper installation of this product voids the warranty. Curt Manufacturing Inc.'s liability is limited to repair or replacement of products found to be defective, and specifically excludes liability for incidental or consequential loss or damage.