

11164

02-06 AUDI A4 AVANT
 04-08 AUDI S4 SEDAN
 03-05 VOLKSWAGEN PASSAT (W8)

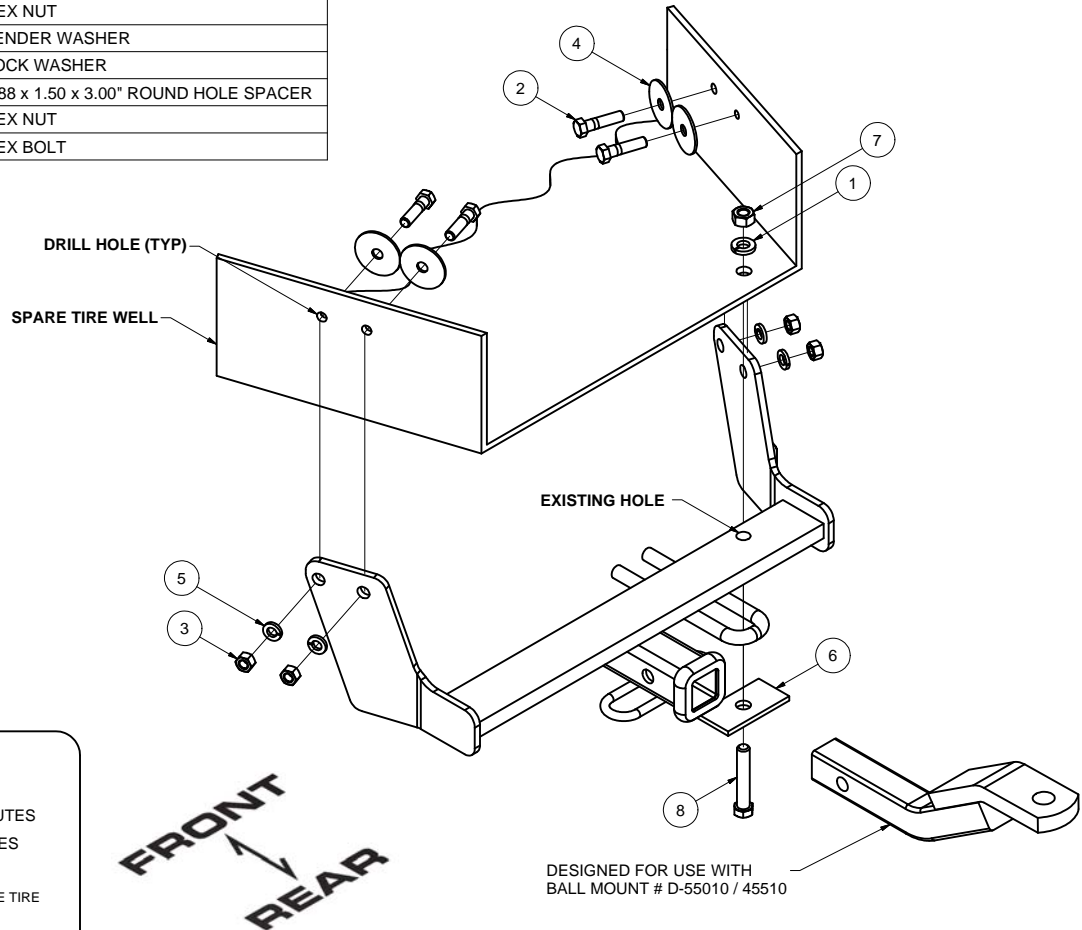
GROSS LOAD CAPACITY WHEN USED AS A WEIGHT CARRYING HITCH: 2,000 LBS. TRAILER WEIGHT & 200 LBS. TONGUE WEIGHT.

DO NOT EXCEED VEHICLE MANUFACTURER'S RECOMMENDED TOWING CAPACITY.

WARNING: ALL NON-TRAILER LOADS APPLIED TO THIS PRODUCT MUST BE SUPPORTED BY AUXILIARY STABILIZING STRAPS.

** FAILURE TO PROPERLY SUPPORT NON-TRAILER LOADS WILL VOID PRODUCT WARRANTY**

Parts List			
ITEM	QTY	PART NUMBER	DESCRIPTION
1	1	7/16	HELICAL LOCK WASHER
2	4	3/8-16 X 1 1/2	HEX BOLT
3	4	3/8 - 16	HEX NUT
4	4	3/8"	FENDER WASHER
5	4	3/8"	LOCK WASHER
6	1	CM-SP34	.188 x 1.50 x 3.00" ROUND HOLE SPACER
7	1	7/16-14	HEX NUT
8	1	7/16-14 x 2 1/2	HEX BOLT



HITCH WEIGHT: 18 LBS.

INSTALL TIME

PROFESSIONAL: 20 MINUTES

NOVICE (DIY): 40 MINUTES

INSTALL NOTES:

- TEMPORARILY REMOVE SPARE TIRE
- DRILLING REQUIRED
- MAY REQUIRE LOWER FASCIA TRIMMING

INSTALLATION STEPS

1. Clear vehicle's tire well for drilling.
2. Place hitch into position on top of tow loop with hitch side plates resting against the sides of tire well. Install 7/16" fasteners as shown using SP51 spacer under the tow loop. Just snug.
3. Adjust hitch to be level and square with car and mark tire well in two places on each side for drilling.
4. Remove hitch and drill for 3/8" bolts. Re-position hitch on the vehicle and install all fasteners. Large fender washers install inside tire well opposite the hitch.
5. Torque 7/16" fasteners to 50 ft-lb.
3/8" fasteners to 30 ft-lb.

6. Reinstall spare tire.

PERIODICALLY CHECK THIS RECEIVER HITCH TO ENSURE THAT ALL FASTENERS ARE TIGHT AND THAT ALL STRUCTURAL COMPONENTS ARE SOUND.

Curt Manufacturing Inc., warrants this product to be free of defects in material and/or workmanship at the time of retail purchase by the original purchaser. If the product is found to be defective, Curt Manufacturing Inc., may repair or replace the product, at their option, when the product is returned, prepaid, with proof of purchase. Alteration to, misuse of, or improper installation of this product voids the warranty. Curt Manufacturing Inc.'s liability is limited to repair or replacement of products found to be defective, and specifically excludes liability for incidental or consequential loss or damage.