

11160

2007-PRESENT MINI COOPER HARD TOP WITH SINGLE EXHAUST
2009 MINI COOPER CONVERTIBLE WITH SINGLE EXHAUST

EXCLUDES CLUBMAN, "S", AND JOHN COOPER EDITIONS

GROSS LOAD CAPACITY WHEN USED AS A WEIGHT CARRYING HITCH: 2,000 LBS. TRAILER WEIGHT & 200 LBS. TONGUE WEIGHT.

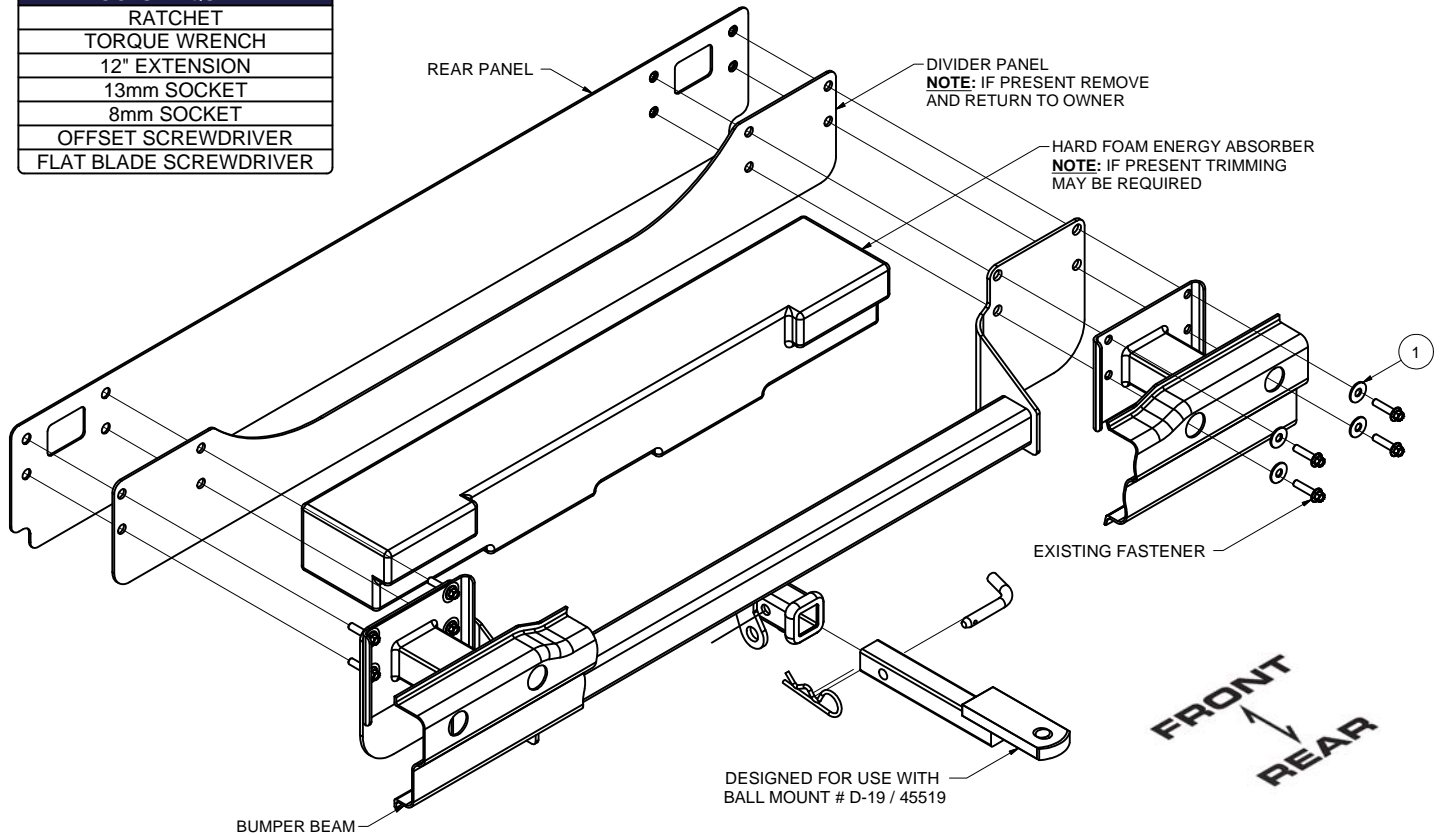
DO NOT EXCEED VEHICLE MANUFACTURER'S RECOMMENDED TOWING CAPACITY.

WARNING: ALL NON-TRAILER LOADS APPLIED TO THIS PRODUCT MUST BE SUPPORTED BY AUXILIARY STABILIZING STRAPS.

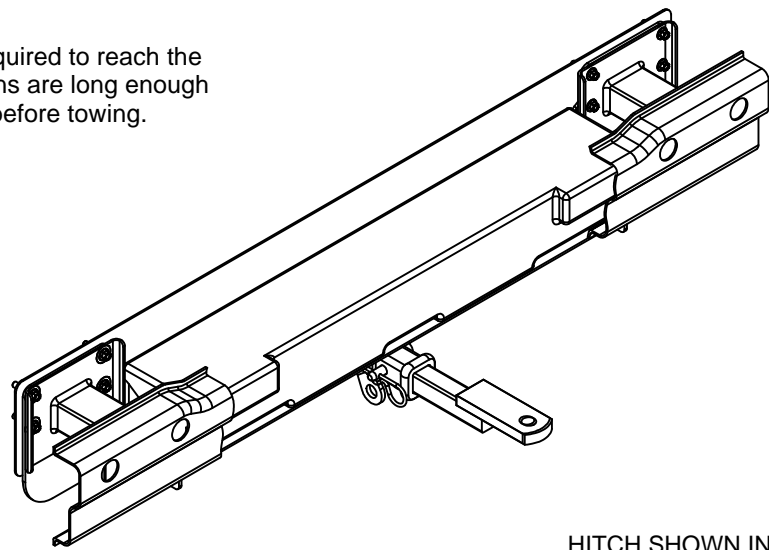
** FAILURE TO PROPERLY SUPPORT NON-TRAILER LOADS WILL VOID PRODUCT WARRANTY**

Parts List			
ITEM	QTY	PART NUMBER	DESCRIPTION
1	8	3/8"	CONICAL TOOTHED WASHER

TOOLS REQUIRED
RATCHET
TORQUE WRENCH
12" EXTENSION
13mm SOCKET
8mm SOCKET
OFFSET SCREWDRIVER
FLAT BLADE SCREWDRIVER



NOTE: Longer safety chains may be required to reach the chain loops. Verify that your safety chains are long enough to clear the lower valance while turning before towing.



HITCH SHOWN INSTALLED

- HITCH WEIGHT: 28 LBS.
- INSTALL TIME:
 - PROFESSIONAL 60 MINUTES
 - NOVICE (DIY) 120 MINUTES
- INSTALL NOTES:
 - REMOVE BUMPER COVER
 - HEAT SHIELD MODIFICATION REQUIRED

PERIODICALLY CHECK THIS RECEIVER HITCH TO ENSURE THAT ALL FASTENERS ARE TIGHT AND THAT ALL STRUCTURAL COMPONENTS ARE SOUND.

Curt Manufacturing Inc., warrants this product to be free of defects in material and/or workmanship at the time of retail purchase by the original purchaser. If the product is found to be defective, Curt Manufacturing Inc., may repair or replace the product, at their option, when the product is returned, prepaid, with proof of purchase. Alteration to, misuse of, or improper installation of this product voids the warranty. Curt Manufacturing Inc.'s liability is limited to repair or replacement of products found to be defective, and specifically excludes liability for incidental or consequential loss or damage.

11160

2007-PRESENT MINI COOPER HARD TOP WITH SINGLE EXHAUST
2009 MINI COOPER CONVERTIBLE WITH SINGLE EXHAUST

EXCLUDES CLUBMAN, "S", AND JOHN COOPER EDITIONS

GROSS LOAD CAPACITY WHEN USED AS A WEIGHT CARRYING HITCH: 2,000 LBS. TRAILER WEIGHT & 200 LBS. TONGUE WEIGHT.

DO NOT EXCEED VEHICLE MANUFACTURER'S RECOMMENDED TOWING CAPACITY.

WARNING: ALL NON-TRAILER LOADS APPLIED TO THIS PRODUCT MUST BE SUPPORTED BY AUXILIARY STABILIZING STRAPS.

** FAILURE TO PROPERLY SUPPORT NON-TRAILER LOADS WILL VOID PRODUCT WARRANTY**

INSTALLATION STEPS:

Removing the Bumper Cover:

1. Remove (11) fasteners that secure the bumper cover.

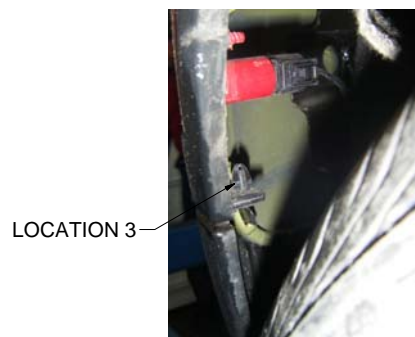


NOTE: Fastener locations as viewed from inside of the bumper cover.

2. Using a phillips screwdriver remove (4) fasteners securing the mudflap, two each side. Using a flat blade screwdriver remove the (4) clips from the mudflap, two each side. **NOTE:** If needed you may remove rear wheels to access fasteners.



3. Inside wheel well remove (2) hex head fastener from location 4, one each side. Pull back the wheel well liner to access the (2) push fasteners that hold the rear wheel arch to the rear bumper cover from location 3, one each side. Remove fasteners by pushing the inner piece down to expose the head. Use a screw driver to pry out of position.



PERIODICALLY CHECK THIS RECEIVER HITCH TO ENSURE THAT ALL FASTENERS ARE TIGHT AND THAT ALL STRUCTURAL COMPONENTS ARE SOUND.

Curt Manufacturing Inc., warrants this product to be free of defects in material and/or workmanship at the time of retail purchase by the original purchaser. If the product is found to be defective, Curt Manufacturing Inc., may repair or replace the product, at their option, when the product is returned, prepaid, with proof of purchase. Alteration to, misuse of, or improper installation of this product voids the warranty. Curt Manufacturing Inc.'s liability is limited to repair or replacement of products found to be defective, and specifically excludes liability for incidental or consequential loss or damage.

11160

**2007-PRESENT MINI COOPER HARD TOP WITH SINGLE EXHAUST
2009 MINI COOPER CONVERTIBLE WITH SINGLE EXHAUST**

EXCLUDES CLUBMAN, "S", AND JOHN COOPER EDITIONS

GROSS LOAD CAPACITY WHEN USED AS A WEIGHT CARRYING HITCH: 2,000 LBS. TRAILER WEIGHT & 200 LBS. TONGUE WEIGHT.

DO NOT EXCEED VEHICLE MANUFACTURER'S RECOMMENDED TOWING CAPACITY.

WARNING: ALL NON-TRAILER LOADS APPLIED TO THIS PRODUCT MUST BE SUPPORTED BY AUXILIARY STABILIZING STRAPS.

** FAILURE TO PROPERLY SUPPORT NON-TRAILER LOADS WILL VOID PRODUCT WARRANTY**

INSTALLATION STEPS:

4. Pull fender flair away from bumper cover to access the (2) hidden fastener. Release side marker bulb from fender flair. Using an offset phillips screwdriver or wrench with a phillips drive bit remove fastener from location 5. Repeat for the otherside



LOCATION 5

5. Using a 10mm socket remove (1) fastener from under bumper cover from location 1. Remove the final (2) fasteners from location 6, these are visible when you open the rear hatch.



LOCATION 1



LOCATION 6

6. If your vehicle is equipped with a rear light or rear sensors, disconnect the wiring harness from the back of the bumper cover and remove the light from the back side by depressing tabs on both sides of the light. Pull back and up on the center of the cover to release it from the mounting tab. Place bumper cover in a safe place to prevent damage.



CENTER
MOUNTING
TAB

**PERIODICALLY CHECK THIS RECEIVER HITCH TO ENSURE THAT ALL FASTENERS
ARE TIGHT AND THAT ALL STRUCTURAL COMPONENTS ARE SOUND.**

Curt Manufacturing Inc., warrants this product to be free of defects in material and/or workmanship at the time of retail purchase by the original purchaser. If the product is found to be defective, Curt Manufacturing Inc., may repair or replace the product, at their option, when the product is returned, prepaid, with proof of purchase. Alteration to, misuse of, or improper installation of this product voids the warranty. Curt Manufacturing Inc.'s liability is limited to repair or replacement of products found to be defective, and specifically excludes liability for incidental or consequential loss or damage.

11160

2007-PRESENT MINI COOPER HARD TOP WITH SINGLE EXHAUST
2009 MINI COOPER CONVERTIBLE WITH SINGLE EXHAUST

EXCLUDES CLUBMAN, "S", AND JOHN COOPER EDITIONS

GROSS LOAD CAPACITY WHEN USED AS A WEIGHT CARRYING HITCH: 2,000 LBS. TRAILER WEIGHT & 200 LBS. TONGUE WEIGHT.

DO NOT EXCEED VEHICLE MANUFACTURER'S RECOMMENDED TOWING CAPACITY.

WARNING: ALL NON-TRAILER LOADS APPLIED TO THIS PRODUCT MUST BE SUPPORTED BY AUXILIARY STABILIZING STRAPS.

** FAILURE TO PROPERLY SUPPORT NON-TRAILER LOADS WILL VOID PRODUCT WARRANTY**

INSTALLATION STEPS:

7. Using a flat blade screwdriver remove the wiring harness from the bumper beam or divider panel.

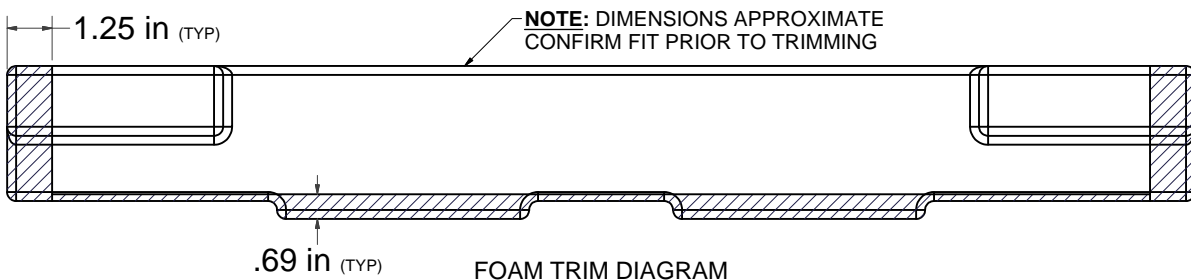


8. Remove the (8) M8 bolts and lower bumper beam assembly from vehicle. If present, remove divider panel from bumper beam and return to owner.



9. If present, remove hard foam energy absorber and trim to allow proper fit. (See trim diagram)

Note: Some models may have soft foam and not require trimming.



PERIODICALLY CHECK THIS RECEIVER HITCH TO ENSURE THAT ALL FASTENERS
ARE TIGHT AND THAT ALL STRUCTURAL COMPONENTS ARE SOUND.

Curt Manufacturing Inc., warrants this product to be free of defects in material and/or workmanship at the time of retail purchase by the original purchaser. If the product is found to be defective, Curt Manufacturing Inc., may repair or replace the product, at their option, when the product is returned, prepaid, with proof of purchase. Alteration to, misuse of, or improper installation of this product voids the warranty. Curt Manufacturing Inc.'s liability is limited to repair or replacement of products found to be defective, and specifically excludes liability for incidental or consequential loss or damage.

11160

2007-PRESENT MINI COOPER HARD TOP WITH SINGLE EXHAUST
2009 MINI COOPER CONVERTIBLE WITH SINGLE EXHAUST

EXCLUDES CLUBMAN, "S", AND JOHN COOPER EDITIONS

GROSS LOAD CAPACITY WHEN USED AS A WEIGHT CARRYING HITCH: 2,000 LBS. TRAILER WEIGHT & 200 LBS. TONGUE WEIGHT.

DO NOT EXCEED VEHICLE MANUFACTURER'S RECOMMENDED TOWING CAPACITY.

WARNING: ALL NON-TRAILER LOADS APPLIED TO THIS PRODUCT MUST BE SUPPORTED BY AUXILIARY STABILIZING STRAPS.

** FAILURE TO PROPERLY SUPPORT NON-TRAILER LOADS WILL VOID PRODUCT WARRANTY**

INSTALLATION STEPS:

10. After trimming foam block insert into the bumper beam and confirm fit. Raise the hitch into position by aligning holes with weldnuts. **Note:** Heat shield may need to be formed around hitch. Spare tire may need to be loosened and plastic tire cradle adjusted to accommodate tow loops.



11. Sandwich the hitch between the bumper beam and the rear of the car. Secure hitch using (8) existing M8 bolts removed in Step 6 and 3/8" conical toothed washers. Torque all M8 hardware to 18 ft-lbs.



12. Your car is ready for re-assembly. Reconnect the wiring harness to the bumper beam by reinstalling the push fasteners removed in Step 7. **Note:** Keep wiring harness clear of the exhaust, heat shield, and hitch receiver.



PERIODICALLY CHECK THIS RECEIVER HITCH TO ENSURE THAT ALL FASTENERS
ARE TIGHT AND THAT ALL STRUCTURAL COMPONENTS ARE SOUND.

Curt Manufacturing Inc., warrants this product to be free of defects in material and/or workmanship at the time of retail purchase by the original purchaser. If the product is found to be defective, Curt Manufacturing Inc., may repair or replace the product, at their option, when the product is returned, prepaid, with proof of purchase. Alteration to, misuse of, or improper installation of this product voids the warranty. Curt Manufacturing Inc.'s liability is limited to repair or replacement of products found to be defective, and specifically excludes liability for incidental or consequential loss or damage.

11160

**2007-PRESENT MINI COOPER HARD TOP WITH SINGLE EXHAUST
2009 MINI COOPER CONVERTIBLE WITH SINGLE EXHAUST**

EXCLUDES CLUBMAN, "S", AND JOHN COOPER EDITIONS

GROSS LOAD CAPACITY WHEN USED AS A WEIGHT CARRYING HITCH: 2,000 LBS. TRAILER WEIGHT & 200 LBS. TONGUE WEIGHT.

*****DO NOT EXCEED VEHICLE MANUFACTURER'S RECOMMENDED TOWING CAPACITY.*****

WARNING: ALL NON-TRAILER LOADS APPLIED TO THIS PRODUCT MUST BE SUPPORTED BY AUXILIARY STABILIZING STRAPS.

**** FAILURE TO PROPERLY SUPPORT NON-TRAILER LOADS WILL VOID PRODUCT WARRANTY****

INSTALLATION STEPS:

13. Align bumper cover and pull back on the fender flairs. Re-attach side marker bulbs to fender flairs. Reconnect rear sensors. Reinstall all (11) fasteners removed previously and snap fender flairs back into place.



14. Hitch is now fully installed. Remove rear light or center trim when hitch is in use. The first photo shows the hitch with safety chains attached. The second photo shows hitch with ballmount.



**PERIODICALLY CHECK THIS RECEIVER HITCH TO ENSURE THAT ALL FASTENERS
ARE TIGHT AND THAT ALL STRUCTURAL COMPONENTS ARE SOUND.**

Curt Manufacturing Inc., warrants this product to be free of defects in material and/or workmanship at the time of retail purchase by the original purchaser. If the product is found to be defective, Curt Manufacturing Inc., may repair or replace the product, at their option, when the product is returned, prepaid, with proof of purchase. Alteration to, misuse of, or improper installation of this product voids the warranty. Curt Manufacturing Inc.'s liability is limited to repair or replacement of products found to be defective, and specifically excludes liability for incidental or consequential loss or damage.