

11126

MINI COOPER

GROSS LOAD CAPACITY WHEN USED AS A WEIGHT CARRYING HITCH: 2,000 LBS. TRAILER WEIGHT & 200 LBS. TONGUE WEIGHT.

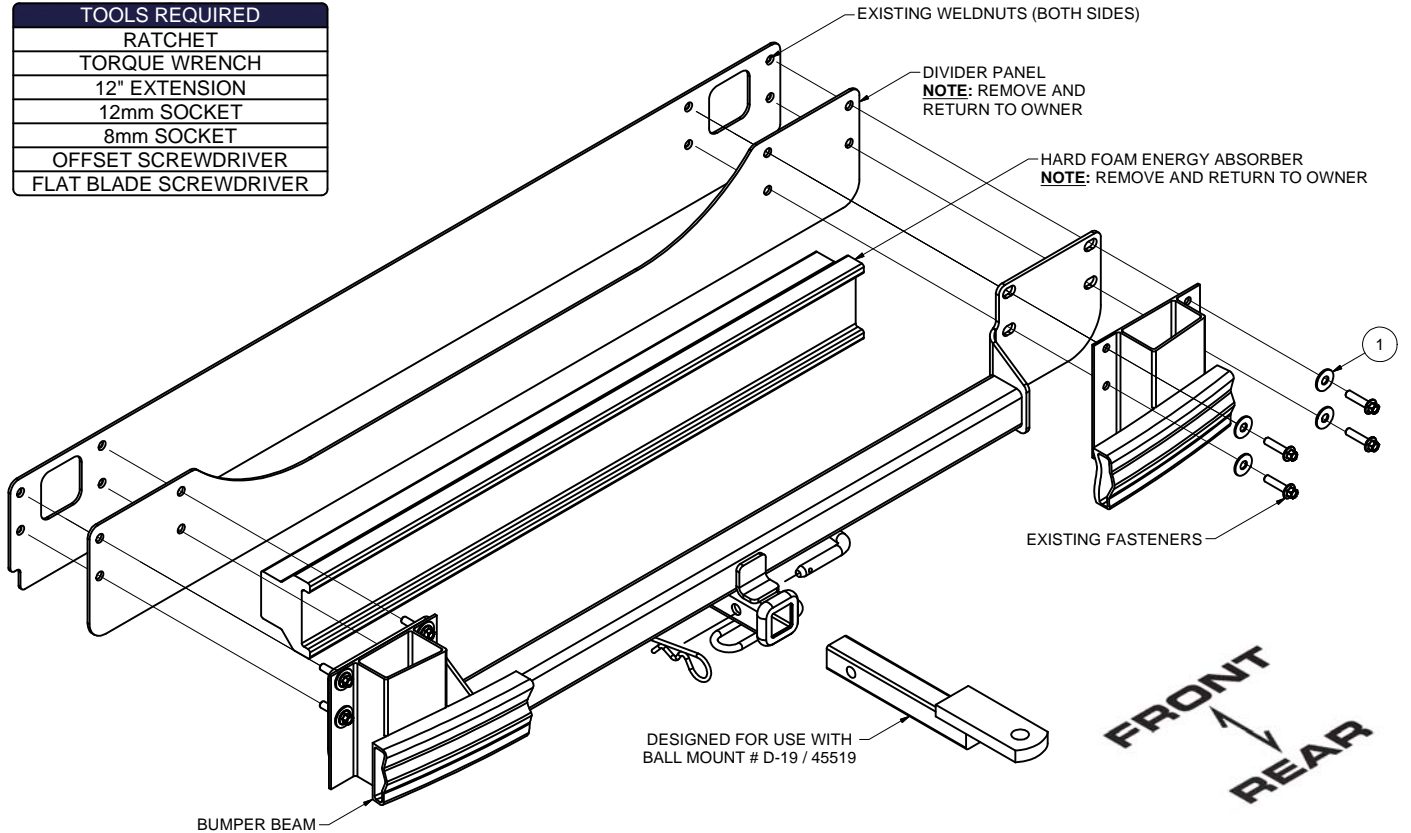
DO NOT EXCEED VEHICLE MANUFACTURER'S RECOMMENDED TOWING CAPACITY.

WARNING: ALL NON-TRAILER LOADS APPLIED TO THIS PRODUCT MUST BE SUPPORTED BY 18050 STABILIZING STRAPS.

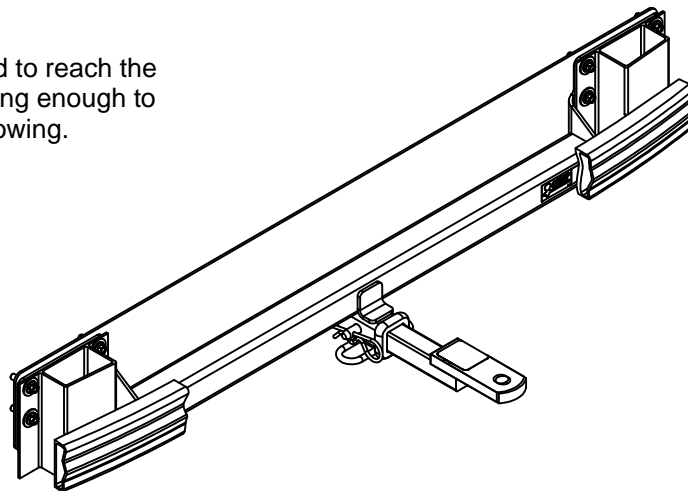
** FAILURE TO PROPERLY SUPPORT NON-TRAILER LOADS WILL VOID PRODUCT WARRANTY**

Parts List			
ITEM	QTY	PART NUMBER	DESCRIPTION
1	8	3/8"	CONICAL TOOTHED WASHER

TOOLS REQUIRED	
	RATCHET
	TORQUE WRENCH
	12" EXTENSION
	12mm SOCKET
	8mm SOCKET
	OFFSET SCREWDRIVER
	FLAT BLADE SCREWDRIVER



NOTE: Longer safety chains may be required to reach the chains loops. Verify your safety chains are long enough to clear the lower valance while turning before towing.



HITCH SHOWN INSTALLED

HITCH WEIGHT: 27 LBS.

INSTALL TIME

PROFESSIONAL: 60 MINUTES

NOVICE (DIY): 120 MINUTES

INSTALL NOTES:

- REMOVE BUMPER COVER

PERIODICALLY CHECK THIS RECEIVER HITCH TO ENSURE THAT ALL FASTENERS ARE TIGHT AND THAT ALL STRUCTURAL COMPONENTS ARE SOUND.

Curt Manufacturing Inc., warrants this product to be free of defects in material and/or workmanship at the time of retail purchase by the original purchaser. If the product is found to be defective, Curt Manufacturing Inc., may repair or replace the product, at their option, when the product is returned, prepaid, with proof of purchase. Alteration to, misuse of, or improper installation of this product voids the warranty. Curt Manufacturing Inc.'s liability is limited to repair or replacement of products found to be defective, and specifically excludes liability for incidental or consequential loss or damage.

11126

MINI COOPER

GROSS LOAD CAPACITY WHEN USED AS A WEIGHT CARRYING HITCH: 2,000 LBS. TRAILER WEIGHT & 200 LBS. TONGUE WEIGHT.

*****DO NOT EXCEED VEHICLE MANUFACTURER'S RECOMMENDED TOWING CAPACITY.*****

WARNING: ALL NON-TRAILER LOADS APPLIED TO THIS PRODUCT MUST BE SUPPORTED BY 18050 STABILIZING STRAPS.

**** FAILURE TO PROPERLY SUPPORT NON-TRAILER LOADS WILL VOID PRODUCT WARRANTY****

INSTALLATION STEPS:

Notes:

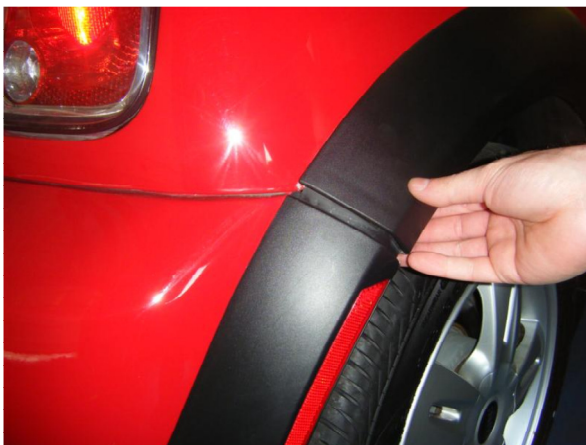
- This hitch is not intended for use as a weight distributing hitch.
- This hitch features a removable ball mount.
- Before towing, the hitch pin and clip **MUST** be in place, securing the ball mount to the receiver.

Removing the Bumper Cover:

1. Remove (11) fasteners that secure the bumper cover.
2. Inside the wheel well using an offset phillips screw driver remove (4) hex head fasteners, two each side.
Note: If needed you may remove rear wheels to access fasteners.



3. Pull the fender flair away from the bumper cover to access the (2) hidden fasteners, one each side. Using an offset phillips screwdriver remove the hex head screw.



PERIODICALLY CHECK THIS RECEIVER HITCH TO ENSURE THAT ALL FASTENERS ARE TIGHT AND THAT ALL STRUCTURAL COMPONENTS ARE SOUND.

Curt Manufacturing Inc., warrants this product to be free of defects in material and/or workmanship at the time of retail purchase by the original purchaser. If the product is found to be defective, Curt Manufacturing Inc., may repair or replace the product, at their option, when the product is returned, prepaid, with proof of purchase. Alteration to, misuse of, or improper installation of this product voids the warranty. Curt Manufacturing Inc.'s liability is limited to repair or replacement of products found to be defective, and specifically excludes liability for incidental or consequential loss or damage.

11126

MINI COOPER

GROSS LOAD CAPACITY WHEN USED AS A WEIGHT CARRYING HITCH: 2,000 LBS. TRAILER WEIGHT & 200 LBS. TONGUE WEIGHT.

*****DO NOT EXCEED VEHICLE MANUFACTURER'S RECOMMENDED TOWING CAPACITY.*****

WARNING: ALL NON-TRAILER LOADS APPLIED TO THIS PRODUCT MUST BE SUPPORTED BY 18050 STABILIZING STRAPS.

**** FAILURE TO PROPERLY SUPPORT NON-TRAILER LOADS WILL VOID PRODUCT WARRANTY****

INSTALLATION STEPS:

- Using a phillips screwdriver remove (2) hex head screws from the bottom of the bumper cover, one each side. Using a 10mm socket remove (1) fastener from under the bumper cover to the right of the exhaust.



- Using a phillips screw driver remove the final (2) fasteners securing the bumper cover, these are visible when you open the rear hatch. **Note:** You may need to support the bumper cover to prevent it from falling.



- If your vehicle is equipped with a rear light or rear sensors, disconnect the wiring harness from the back of the bumper cover and from the rear light. Pull the fender flairs away from the vehicle and pull on each end of the bumper cover until it "pops" free. Make sure that all of the lights and sensors are disconnected and place the bumper cover in a safe place to prevent damage.



PERIODICALLY CHECK THIS RECEIVER HITCH TO ENSURE THAT ALL FASTENERS ARE TIGHT AND THAT ALL STRUCTURAL COMPONENTS ARE SOUND.

Curt Manufacturing Inc., warrants this product to be free of defects in material and/or workmanship at the time of retail purchase by the original purchaser. If the product is found to be defective, Curt Manufacturing Inc., may repair or replace the product, at their option, when the product is returned, prepaid, with proof of purchase. Alteration to, misuse of, or improper installation of this product voids the warranty. Curt Manufacturing Inc.'s liability is limited to repair or replacement of products found to be defective, and specifically excludes liability for incidental or consequential loss or damage.

11126

MINI COOPER

GROSS LOAD CAPACITY WHEN USED AS A WEIGHT CARRYING HITCH: 2,000 LBS. TRAILER WEIGHT & 200 LBS. TONGUE WEIGHT.

*****DO NOT EXCEED VEHICLE MANUFACTURER'S RECOMMENDED TOWING CAPACITY.*****

WARNING: ALL NON-TRAILER LOADS APPLIED TO THIS PRODUCT MUST BE SUPPORTED BY 18050 STABILIZING STRAPS.

**** FAILURE TO PROPERLY SUPPORT NON-TRAILER LOADS WILL VOID PRODUCT WARRANTY****

INSTALLATION STEPS:

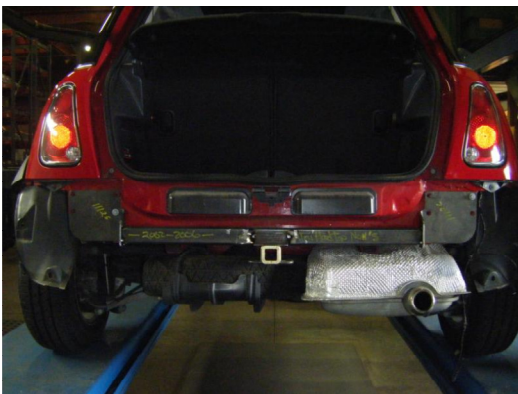
- Using a flat blade screwdriver remove the wiring harness from the bumper beam or divider panel. Remove the (8) M8 bolts and bumper beam assembly from vehicle.



- Remove the (2) plastic nuts securing the divider panel to the aluminum bumper beam. Return the plastic nuts, divider panel, and hard foam energy absorber to owner.



- Raise the hitch into position by aligning the holes with the weldnuts. **Note:** The hitch will fit firmly between the spare tire and the rear panel.



PERIODICALLY CHECK THIS RECEIVER HITCH TO ENSURE THAT ALL FASTENERS ARE TIGHT AND THAT ALL STRUCTURAL COMPONENTS ARE SOUND.

Curt Manufacturing Inc., warrants this product to be free of defects in material and/or workmanship at the time of retail purchase by the original purchaser. If the product is found to be defective, Curt Manufacturing Inc., may repair or replace the product, at their option, when the product is returned, prepaid, with proof of purchase. Alteration to, misuse of, or improper installation of this product voids the warranty. Curt Manufacturing Inc.'s liability is limited to repair or replacement of products found to be defective, and specifically excludes liability for incidental or consequential loss or damage.

11126

MINI COOPER

GROSS LOAD CAPACITY WHEN USED AS A WEIGHT CARRYING HITCH: 2,000 LBS. TRAILER WEIGHT & 200 LBS. TONGUE WEIGHT.

*****DO NOT EXCEED VEHICLE MANUFACTURER'S RECOMMENDED TOWING CAPACITY.*****

WARNING: ALL NON-TRAILER LOADS APPLIED TO THIS PRODUCT MUST BE SUPPORTED BY 18050 STABILIZING STRAPS.

**** FAILURE TO PROPERLY SUPPORT NON-TRAILER LOADS WILL VOID PRODUCT WARRANTY****

INSTALLATION STEPS:

10. Sandwich the hitch between the bumper beam and the rear of the car. Secure hitch using (8) existing M8 bolts removed in Step 6 and 3/8" conical toothed washers. Torque all M8 hardware to 18 ft-lbs.



11. Your car is ready for re-assembly. Reconnect the wiring harness to the bumper beam by reinstalling the push fasteners removed in Step 7. **Note:** Keep wiring harness clear of the exhaust, heat shield, and hitch receiver. Align bumper cover with the vehicle and check for interference issues. **Note:** If the receiver tube interferes with the lip in the center of the bumper cover you may need to trim it back. Be careful not to cut any piece needed to snap the light or center trim piece into position.



12. Align bumper cover and pull back on the fender flairs. Re-attach wiring harness to bumper cover. **Note:** Side markers need to be re-attached to the wire harness prior to securing bumper cover. Reinstall all (11) fasteners removed previously and snap fender flairs back into place.



PERIODICALLY CHECK THIS RECEIVER HITCH TO ENSURE THAT ALL FASTENERS ARE TIGHT AND THAT ALL STRUCTURAL COMPONENTS ARE SOUND.

Curt Manufacturing Inc., warrants this product to be free of defects in material and/or workmanship at the time of retail purchase by the original purchaser. If the product is found to be defective, Curt Manufacturing Inc., may repair or replace the product, at their option, when the product is returned, prepaid, with proof of purchase. Alteration to, misuse of, or improper installation of this product voids the warranty. Curt Manufacturing Inc.'s liability is limited to repair or replacement of products found to be defective, and specifically excludes liability for incidental or consequential loss or damage.

GROSS LOAD CAPACITY WHEN USED AS A WEIGHT CARRYING HITCH: 2,000 LBS. TRAILER WEIGHT & 200 LBS. TONGUE WEIGHT.

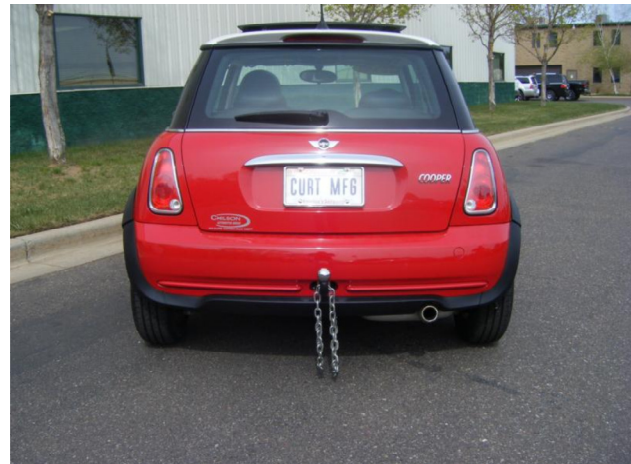
DO NOT EXCEED VEHICLE MANUFACTURER'S RECOMMENDED TOWING CAPACITY.

WARNING: ALL NON-TRAILER LOADS APPLIED TO THIS PRODUCT MUST BE SUPPORTED BY 18050 STABILIZING STRAPS.

** FAILURE TO PROPERLY SUPPORT NON-TRAILER LOADS WILL VOID PRODUCT WARRANTY**

INSTALLATION STEPS:

13. The hitch is now fully installed. Remove center rear light or trim piece when using hitch by suppressing tabs on both sides behind the bumper cover. **Note:** You may need to use a pliers to install the pin & clip.



PERIODICALLY CHECK THIS RECEIVER HITCH TO ENSURE THAT ALL FASTENERS ARE TIGHT AND THAT ALL STRUCTURAL COMPONENTS ARE SOUND.

Curt Manufacturing Inc., warrants this product to be free of defects in material and/or workmanship at the time of retail purchase by the original purchaser. If the product is found to be defective, Curt Manufacturing Inc., may repair or replace the product, at their option, when the product is returned, prepaid, with proof of purchase. Alteration to, misuse of, or improper installation of this product voids the warranty. Curt Manufacturing Inc.'s liability is limited to repair or replacement of products found to be defective, and specifically excludes liability for incidental or consequential loss or damage.