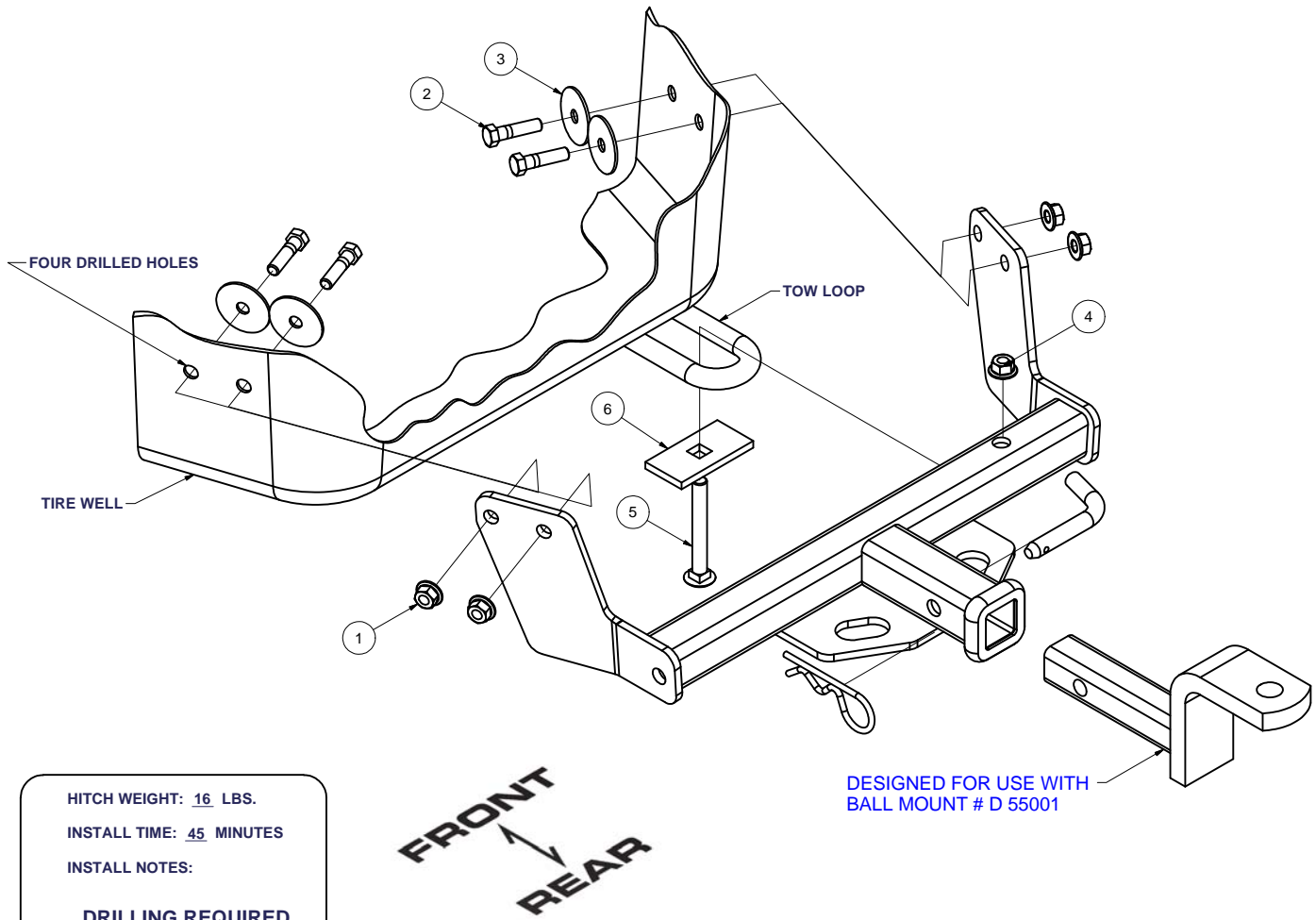


GROSS LOAD CAPACITY WHEN USED AS A WEIGHT CARRYING HITCH: 2,000 LBS. TRAILER WEIGHT & 200 LBS. TONGUE WEIGHT.
 DO NOT EXCEED VEHICLE MANUFACTURER'S RECOMMENDED TOWING CAPACITY.

Parts List			
ITEM	QTY	PART NUMBER	DESCRIPTION
1	4	3/8-16	HEX FLANGE NUT
2	4	3/8-16 x 1 1/2	HEX BOLT
3	4	3/8"	FENDER WASHER
4	1	7/16-14	HEX FLANGE NUT
5	1	7/16-14 x 3 1/2"	CARRIAGE BOLT
6	1	CM-SP4	.250 x 1.50 x 3.00" SQUARE HOLE SPACER



HITCH WEIGHT: 16 LBS.

INSTALL TIME: 45 MINUTES

INSTALL NOTES:

DRILLING REQUIRED

INSTALLATION STEPS

- 1) Clear tire well of contents for drilling. Trim bumper fascia away from top of tow loop area for installation.
- 2) Place hitch on top of tow loop with hitch side plates resting against sides of tire well. Install fastener in tow strap as shown. Do not tighten.
- 3) Level hitch to vehicle. Mark and center punch tire well using hitch as a template. Remove hitch and drill holes.
- 4) Place hitch on vehicle and install hardware as shown.
- 5) Torque all 7/16" fasteners to 50 lb.-ft. and all 3/8" fasteners to 30 lb.-ft.

PERIODICALLY CHECK THIS RECEIVER HITCH TO ENSURE THAT ALL FASTENERS ARE TIGHT AND THAT ALL STRUCTURAL COMPONENTS ARE SOUND.

Curt Manufacturing Inc., warrants this product to be free of defects in material and/or workmanship at the time of retail purchase by the original purchaser. If the product is found to be defective, Curt Manufacturing Inc., may repair or replace the product, at their option, when the product is returned, prepaid, with proof of purchase. Alteration to, misuse of, or improper installation of this product voids the warranty. Curt Manufacturing Inc.'s liability is limited to repair or replacement of products found to be defective, and specifically excludes liability for incidental or consequential loss or damage.