

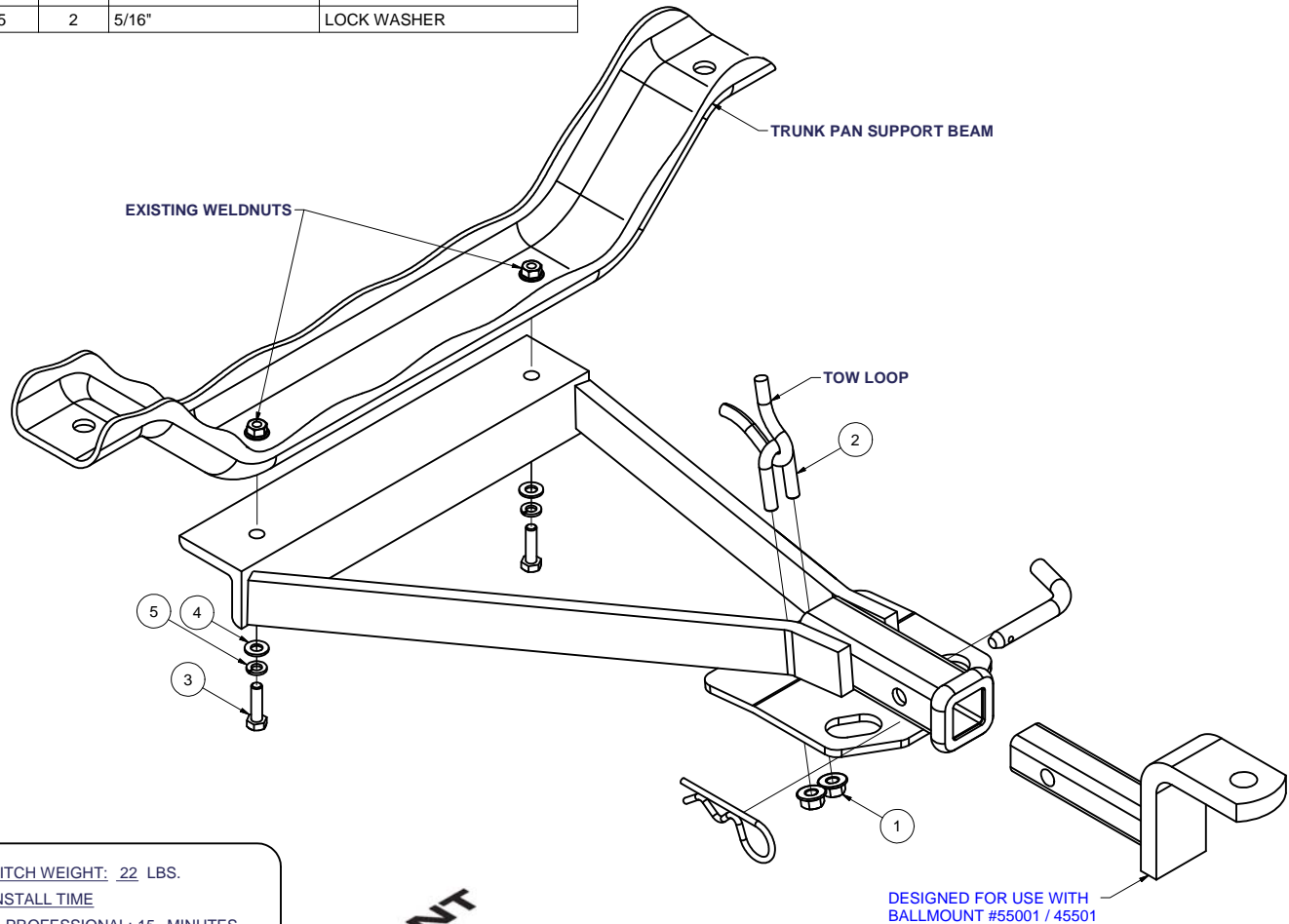
11058**HONDA FIT 5 DOOR SPORT****GROSS LOAD CAPACITY WHEN USED AS A WEIGHT CARRYING HITCH: 1,500 LBS. TRAILER WEIGHT & 150 LBS. TONGUE WEIGHT.**

DO NOT EXCEED VEHICLE MANUFACTURER'S RECOMMENDED TOWING CAPACITY.

WARNING: ALL NON-TRAILER LOADS APPLIED TO THIS PRODUCT MUST BE SUPPORTED BY AUXILIARY STABILIZING STRAPS.

** FAILURE TO PROPERLY SUPPORT NON-TRAILER LOADS WILL VOID PRODUCT WARRANTY**

Parts List			
ITEM	QTY	PART NUMBER	DESCRIPTION
1	2	3/8-16	HEX FLANGE NUT
2	1	CM-3807-UBR	3/8-16 x 1.375 x .875" U-BOLT
3	2	M8 - 1.25 x 30 TAP BOLT	HEX HEAD TAP BOLT
4	2	5/16"	WASHER
5	2	5/16"	LOCK WASHER

HITCH WEIGHT: 22 LBS.INSTALL TIMEPROFESSIONAL: 15 MINUTESNOVICE (DIY): 30 MINUTESINSTALL NOTES:

- REMOVE SKID SHIELD

- NO DRILLING REQUIRED

INSTALLATION STEPS

- 1) Remove lower skid shield (3) bolts, return bolts and skid shield to customer.
- 2) Place u-bolt into tow loop, raise hitch into position and secure with supplied fasteners.
- 3) Torque all 3/8" fasteners to 30 lb-ft, and all M8 fasteners to 17 lb-ft.

PERIODICALLY CHECK THIS RECEIVER HITCH TO ENSURE THAT ALL FASTENERS ARE TIGHT AND THAT ALL STRUCTURAL COMPONENTS ARE SOUND.

Curt Manufacturing Inc., warrants this product to be free of defects in material and/or workmanship at the time of retail purchase by the original purchaser. If the product is found to be defective, Curt Manufacturing Inc., may repair or replace the product, at their option, when the product is returned, prepaid, with proof of purchase. Alteration to, misuse of, or improper installation of this product voids the warranty. Curt Manufacturing Inc.'s liability is limited to repair or replacement of products found to be defective, and specifically excludes liability for incidental or consequential loss or damage.