



Safety glasses should be worn at all times while installing this product.

YEARS: 2014-CURRENT

MAKE: CHEVROLET / GMC

MODEL: SILVERADO 1500 / SIERRA 1500

STYLE: TRUCK

WARNING: NEVER EXCEED YOUR VEHICLE MANUFACTURER'S RECOMMENDED TOWING CAPACITY

WEIGHT CARRYING:
 TRAILER WEIGHT: 5,000 LBS.
 TONGUE WEIGHT: 500 LBS.

GROSS LOAD CAPACITY WHEN USED AS A STRAIGHT LINE PULL:
 9,000 LBS MAX.

PRO INSTALL TIME: 45 MIN.
NOVICE INSTALL TIME: 90 MIN.

IF YOU ARE HESITANT TO UNDERTAKE THIS TASK ON YOUR OWN, CONTACT AN AUTHORIZED CURT INSTALLER FOR ADDITIONAL ASSISTANCE.

INSTALLATION TIPS:

- BEFORE YOU BEGIN INSTALLATION, READ ALL INSTRUCTIONS THOROUGHLY.
- TO EASE INSTALLATION, 2 PEOPLE MAY BE REQUIRED.
- USING PROPER TOOLS WILL GREATLY IMPROVE THE QUALITY OF THE INSTALL AND REDUCE THE TIME REQUIRED.

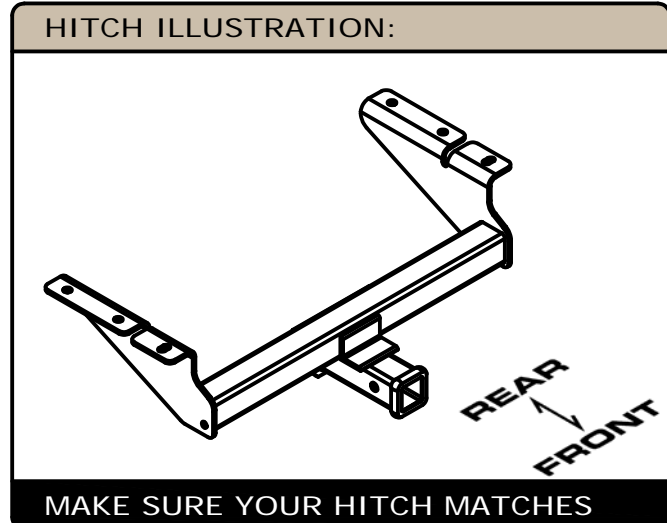


INSTALLATION REQUIRES:

RATCHET	TORQUE WRENCH	3/4" SOCKET
POWER DRILL	DRILL BIT 17/32"	AVIATION SHEARS
CENTER PUNCH		

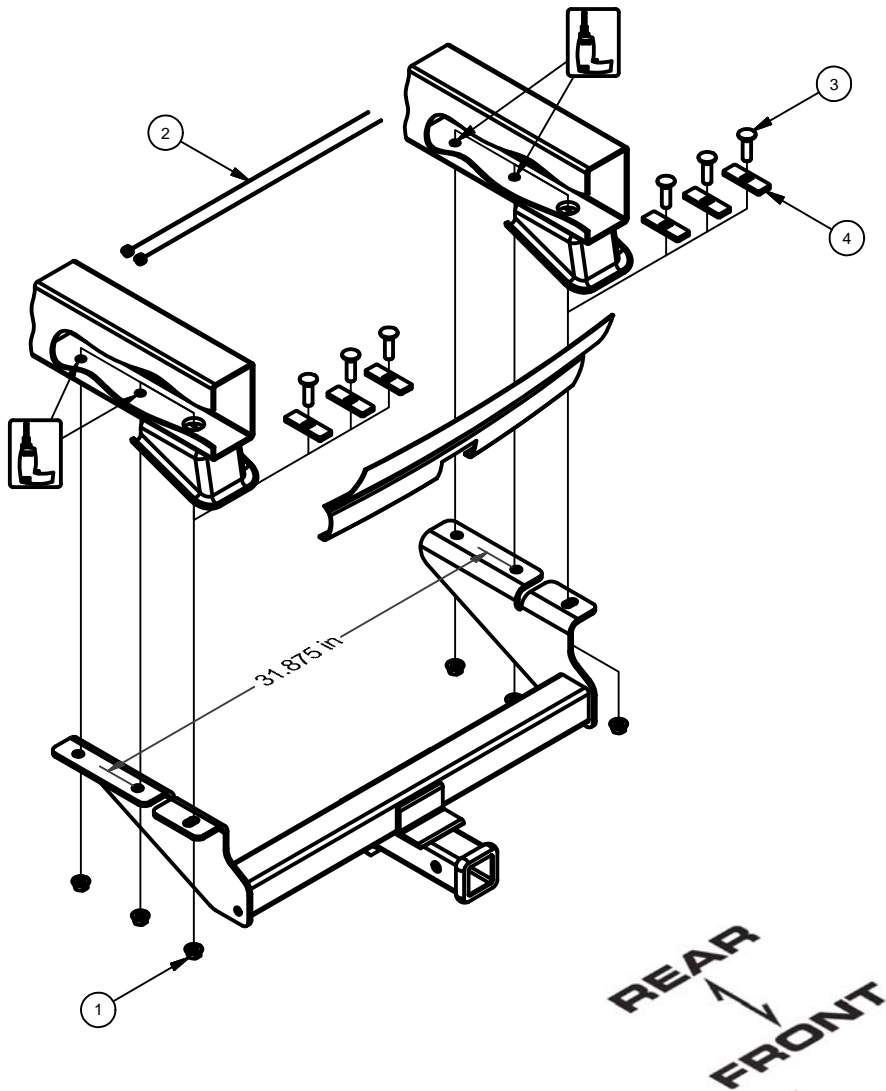
LEVEL OF DIFFICULTY: MODERATE

EASY	MODERATE	CHALLENGING
	DRILLING REQUIRED	
	FASCIA TRIMMING OR REMOVAL REQUIRED	
	FISHWIRE REQUIRED	
	REVERSE FISHWIRE	

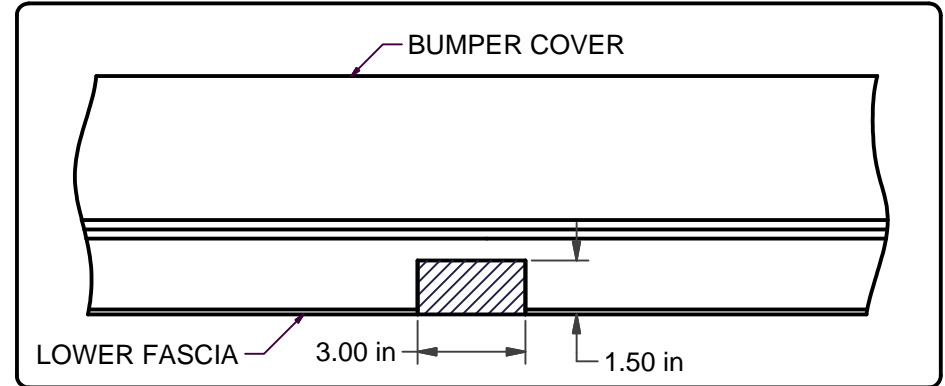


INSTALLATION WALKTHROUGH:

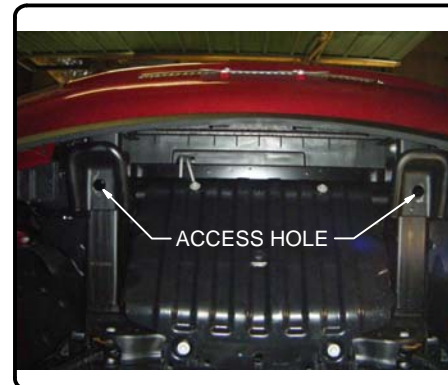
Parts List			
ITEM	QTY	PART NUMBER	DESCRIPTION
1	6	HFN 1213	HEX FLANGE NUT
2	2	1_2 FISHWIRE	1/2" FISHWIRE
3	6	1/2-13 x 1 3/4	CARRIAGE BOLT
4	6	CM-SP6	.250 x 1.00 x 3.00" SQUARE HOLE SPACER



1. Determine if trimming is required on model by raising hitch into position. If needed, mark and trim lower fascia or remove lower fascia and return to owner. (See fascia trim detail) **Note:** Check for proper fit prior to trimming.



2. Raise hitch into position aligning the access hole with the forward most hole in hitch.



INSTALLATION WALKTHROUGH:

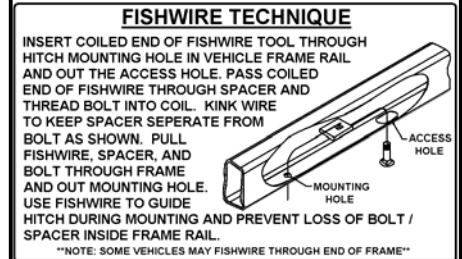
3. Mark the (4) drill holes in both frame rails using a center punch.



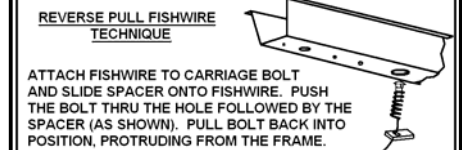
4. Lower hitch and drill (4) 17/32" holes marked in Step (3).



5. Fishwire 1/2-13 x 1 3/4" carriage bolts and SP6 spacers through the access holes and out drilled holes.



6. Reverse fishwire 1/2-13 x 1 3/4" carriage bolts and SP6 spacers into the access holes.



INSTALLATION WALKTHROUGH:

7. Raise hitch into position and secure with 1/2-13 flange nuts.



8. Torque all 1/2" fasteners to 110 ft-lbs.



9. Hitch shown installed properly.



10. Installation is now complete.



31069

CHEVROLET SILVERADO 1500 / GMC SIERRA 1500

GROSS LOAD CAPACITY WHEN USED AS A WEIGHT CARRYING HITCH: 5,000 LBS. TRAILER WEIGHT & 500 LBS. TONGUE WEIGHT.

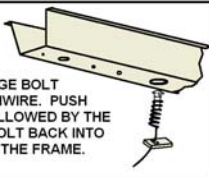
GROSS LOAD CAPACITY WHEN USED AS A STRAIGHT LINE PULL: 9,000 LBS. MAX. LINE PULL.

*** DO NOT EXCEED VEHICLE MANUFACTURER'S RECOMMENDED TOWING CAPACITY. ***

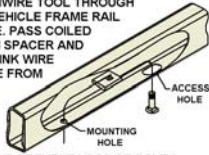
Parts List			
ITEM	QTY	PART NUMBER	DESCRIPTION
1	6	HFN 1213	HEX FLANGE NUT
2	2	1_2 FISHWIRE	1/2" FISHWIRE
3	6	1/2-13 x 1 3/4	CARRIAGE BOLT
4	6	CM-SP6	.250 x 1.00 x 3.00" SQUARE HOLE SPACER

REVERSE PULL FISHWIRE TECHNIQUE

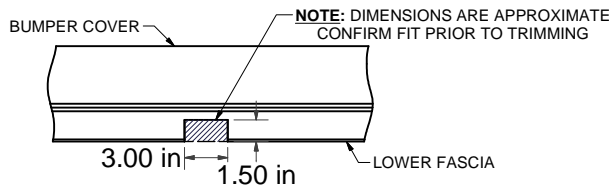
ATTACH FISHWIRE TO CARRIAGE BOLT AND SLIDE SPACER ONTO FISHWIRE. PUSH THE BOLT THRU THE HOLE FOLLOWED BY THE SPACER (AS SHOWN). PULL BOLT BACK INTO POSITION, PROTRUDING FROM THE FRAME.

**FISHWIRE TECHNIQUE**

INSERT COILED END OF FISHWIRE TOOL THROUGH HITCH MOUNTING HOLE IN VEHICLE FRAME RAIL AND OUT THE ACCESS HOLE. PASS COILED END OF FISHWIRE THROUGH SPACER AND THREAD BOLT INTO COIL. KINK WIRE TO KEEP SPACER SEPARATE FROM BOLT AS SHOWN. PULL FISHWIRE, SPACER, AND BOLT THROUGH FRAME AND OUT MOUNTING HOLE. USE FISHWIRE TO GUIDE HITCH DURING MOUNTING AND PREVENT LOSS OF BOLT / SPACER INSIDE FRAME RAIL.



NOTE: SOME VEHICLES MAY FISHWIRE THROUGH END OF FRAME

**FASCIA TRIM DETAIL**

NOTE: DIMENSIONS ARE APPROXIMATE
CONFIRM FIT PRIOR TO TRIMMING

HITCH WEIGHT: 37 LBS.

INSTALL TIME

PROFESSIONAL: 45 MINUTES

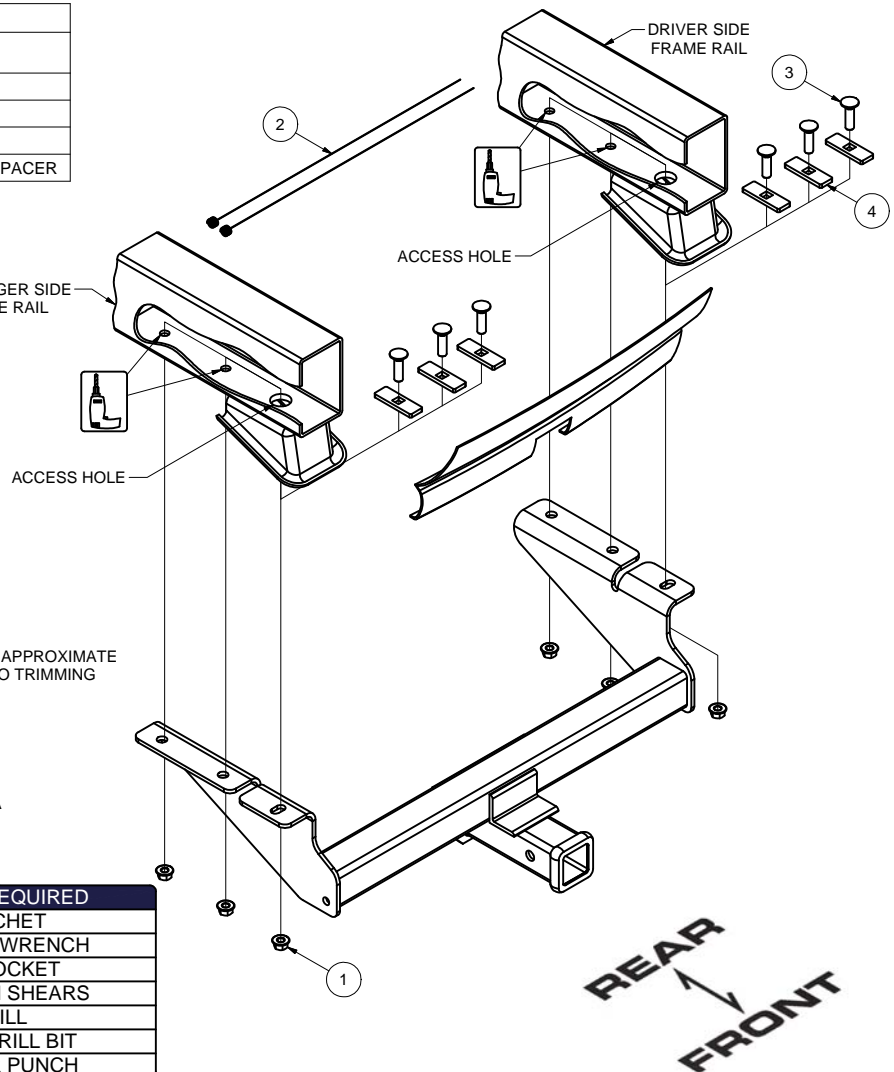
NOVICE (DIY): 90 MINUTES

INSTALL NOTES:

- DRILLING REQUIRED
- FASCIA TRIMMING OR REMOVAL REQUIRED (EXCLUDING LT MODELS)

TOOLS REQUIRED

RATCHET
TORQUE WRENCH
3/4" SOCKET
AVIATION SHEARS
DRILL
17/32" DRILL BIT
CENTER PUNCH

**INSTALLATION STEPS**

1. Determine if trimming is required on model by raising hitch into position. If needed, mark and trim lower fascia or remove lower fascia and return to owner. (See fascia trim detail)
2. Raise hitch into position aligning the access hole with the forward-most hole in hitch.
3. Using the hitch as a template mark the (4) drill holes in each frame rail with a center punch.
4. Lower hitch and drill the (4) 17/32" holes marked in Step (3).
5. Fishwire 1/2-13 x 1-3/4" carriage bolts and SP6 spacers through drilled holes. (See fishwire diagram)
6. Reverse fishwire 1/2-13 x 1-3/4" carriage bolts and SP6 spacers into the access holes. (See reverse fishwire diagram)
7. Raise hitch and secure with 1/2-13 flange nuts.
8. Torque all 1/2" fasteners to 110 ft-lbs.

PERIODICALLY CHECK THIS RECEIVER HITCH TO ENSURE THAT ALL FASTENERS ARE TIGHT AND THAT ALL STRUCTURAL COMPONENTS ARE SOUND.

31069 CHEVROLET SILVERADO 1500, GMC SIERRA 1500

*****DO NOT EXCEED VEHICLE MANUFACTURER'S RECOMMENDED TOWING CAPACITY ***.**

FRONT MOUNTED ACCESSORIES

1) Do not exceed front axle Gross Weight Rating (GAWR). Consult owners manual or specification plate located on driver's door frame. Measure gross front axle weight by placing front wheels of loaded vehicle on a scale.

WARNING: Exceeding GAWR may overload the front axle and/or suspension. This could result in **accident, property damage and personal injury.**

- 2) Reposition front mounted license plate if obstructed.
- 3) Do not obstruct vehicle lights.
- 4) Allow free air flow into grille opening.
- 5) Rear wheel traction may be reduced. This could effect handling. Reduce speed and drive with caution.
- 6) Accessories extend front of vehicle. This may reduce approach angle. Use caution when parking and maneuvering.
- 7) Do not obstruct driver view.

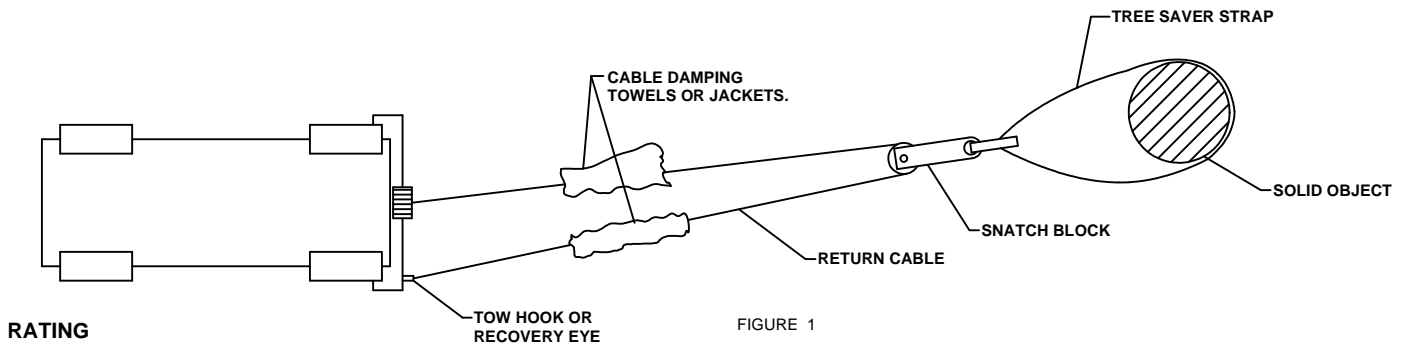
VEHICLE RECOVERY AND WINCHING TIPS

1) Use OEM tow hooks, recovery eyes or a clevis mount for attachment of a tow strap or winch cable.

WARNING: NEVER use a ball and/or ball mount as an anchor point for tow strap or winch cable. Severe personal injury or death could result.

- 2) Observe winch manufacturer's recommendations, cautions and warnings.
- 3) Attach return cable to tow hook or recovery eye when using a snatch block (See figure 1).

CAUTION: Do not attach return cable to winch mount. This may overload winch mount and/or front mounted receiver.



RATING

For **Maximum** line pull rating, winch cable must not exceed:
- 15 degree angle up or down from horizontal (See Figure 2).
- 45 degree angle left or right from straight ahead (See Figure 3).

CAUTION: Exceeding the maximum line pull rating may over load winch, winch mount, and/or front mounted receiver.

